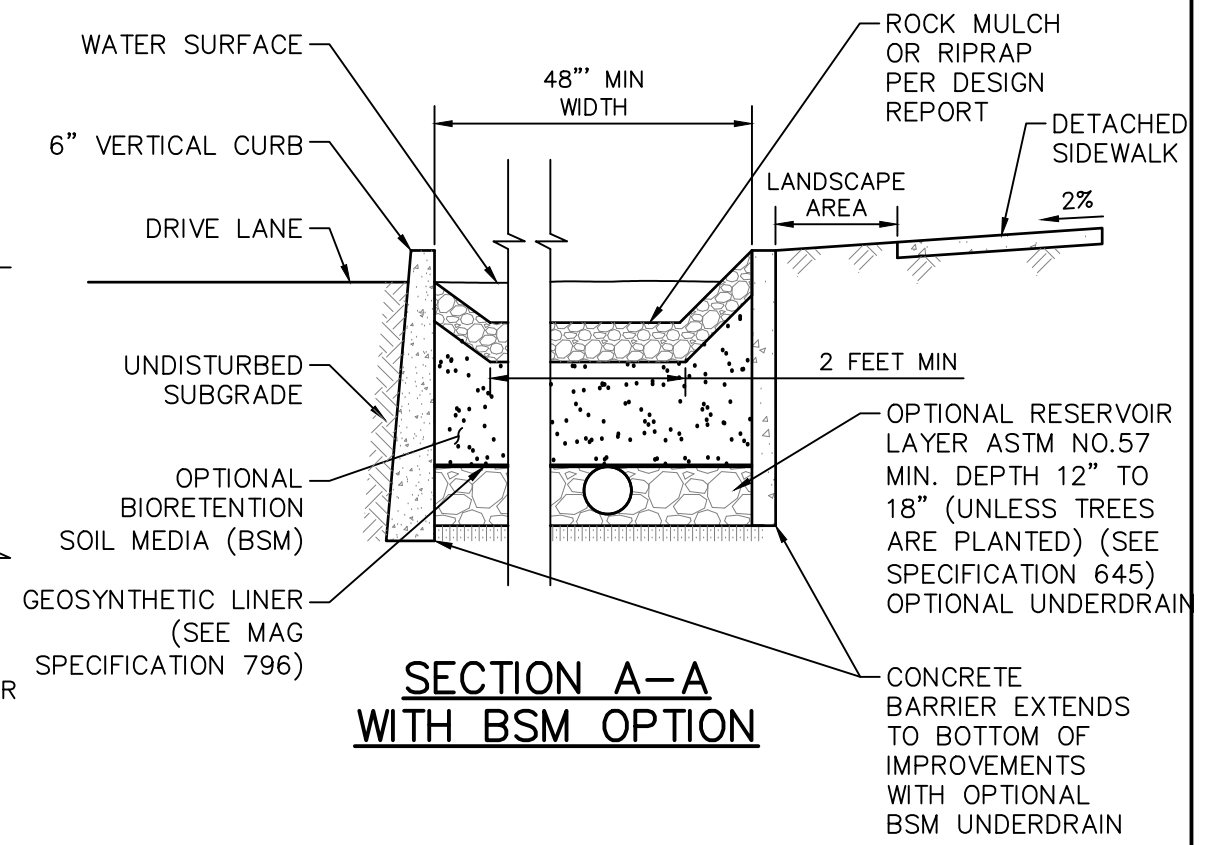
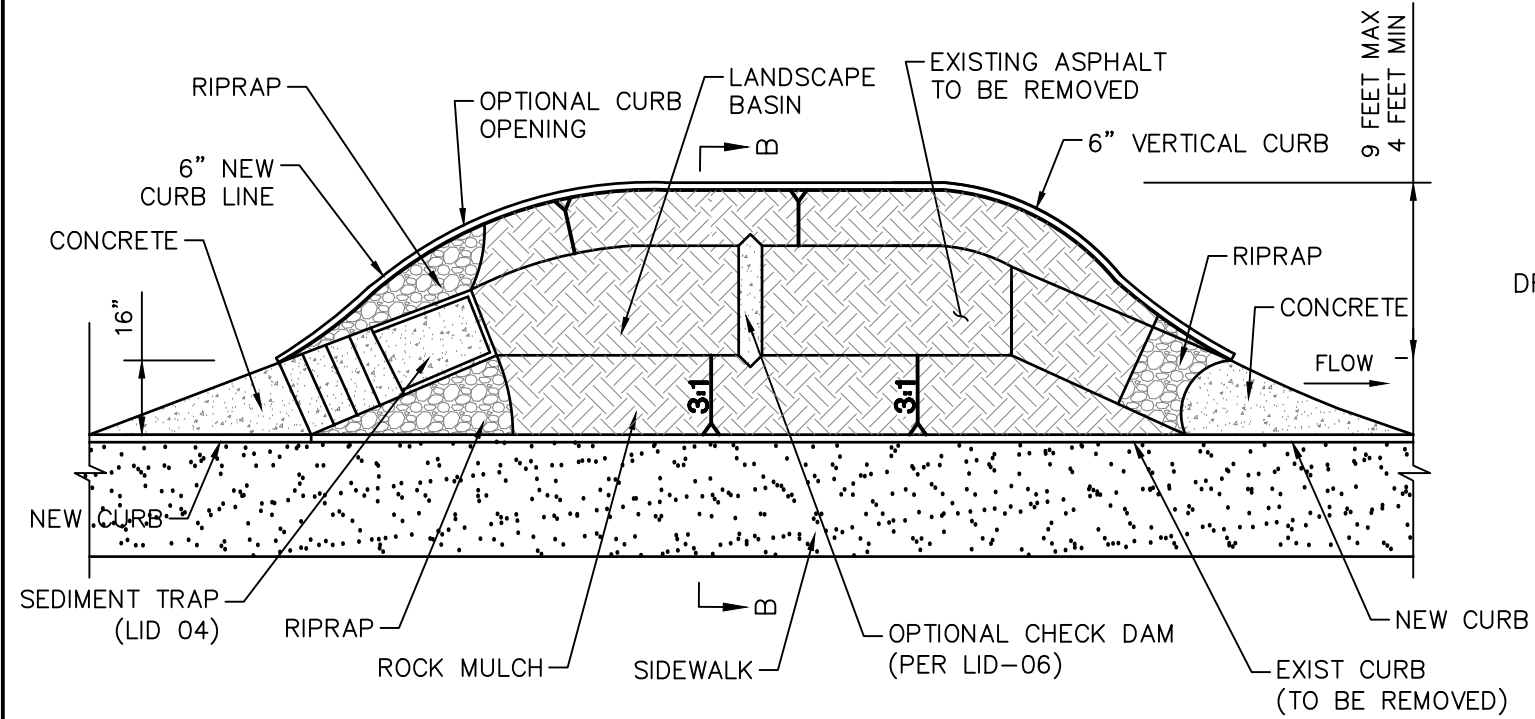


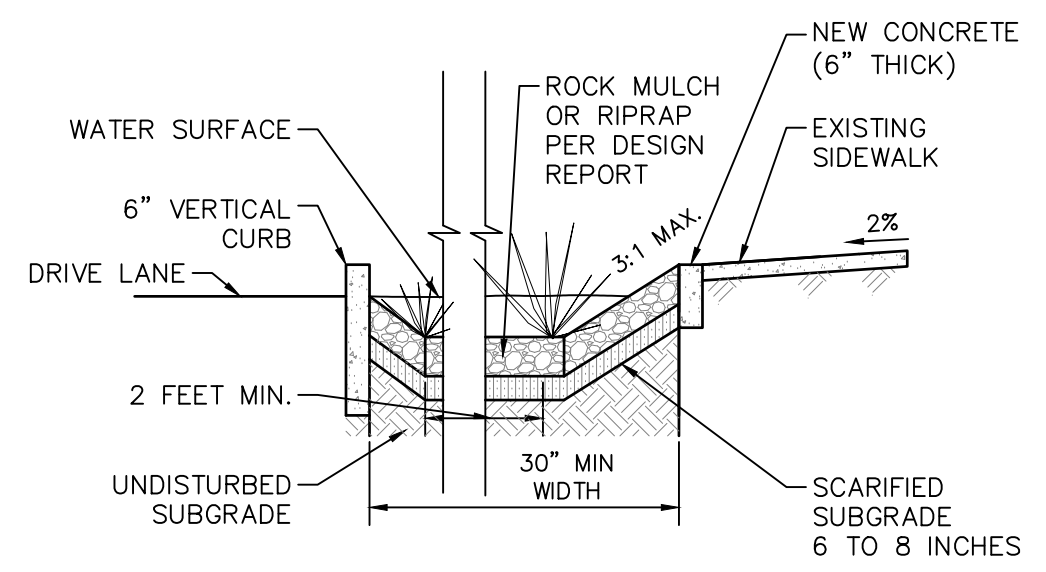
TYPE 1 – DETACHED SIDEWALK



**SECTION A-A
WITH BSM OPTION**



TYPE 2 – SIDEWALK ATTACHED TO CURB



**SECTION B-B
W/O BSM**

DETAIL NO. LID-08	STANDARD DETAIL ENGLISH	CURB EXTENSIONS	REVISED 01-29-2019	DETAIL NO. LID-08
-----------------------------	------------------------------------	------------------------	-----------------------	-----------------------------