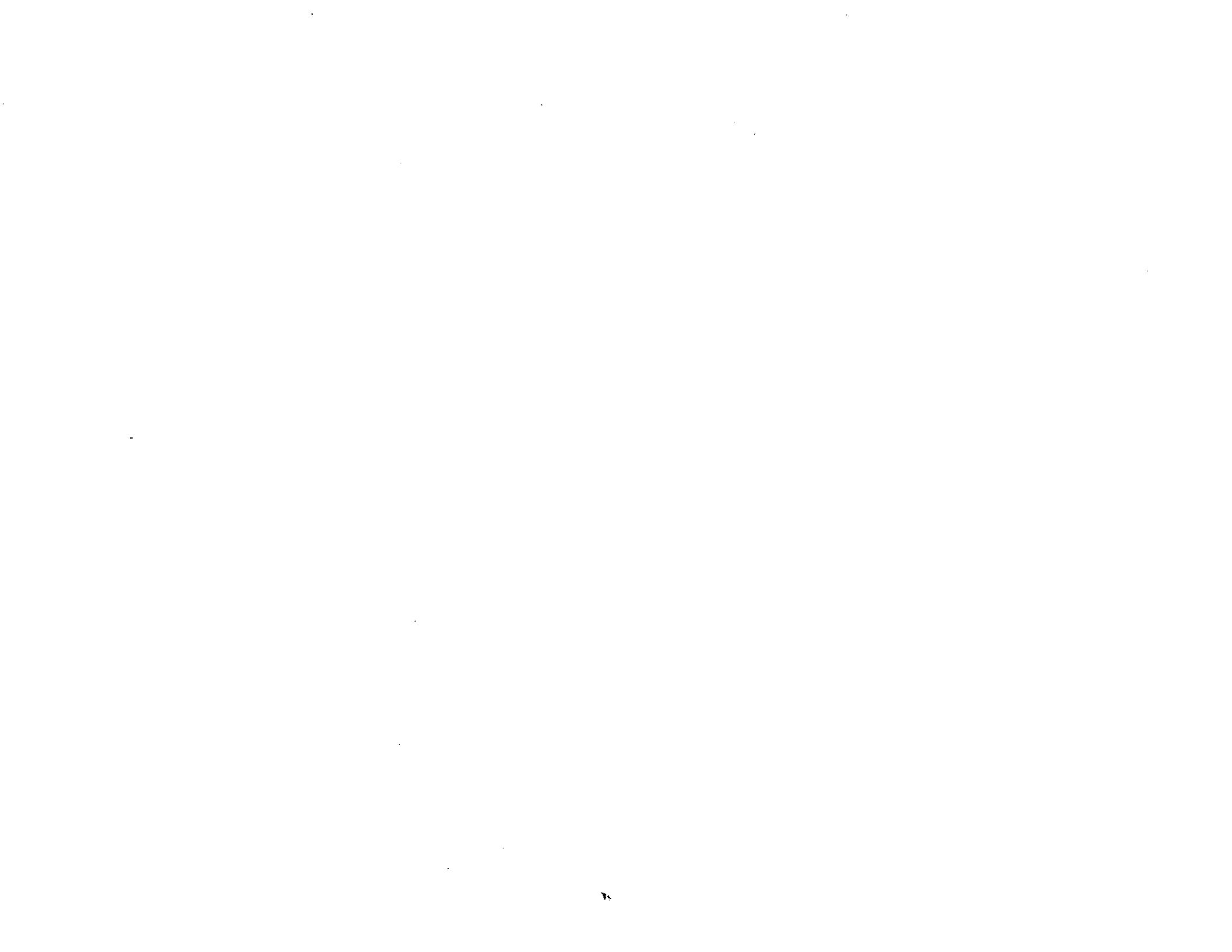


City of Scottsdale

2002



**SUPPLEMENTAL
STANDARD DETAILS
FOR
PUBLIC WORKS
CONSTRUCTION**



REVISED 5/07/02

**2100 Series
General Information**

- 2124 Accessible Signage
- 2131 Sign Post Installation
- 2132 Raised Pavement Marker Layout
- 2133 Median Nose Signing – Type A & B
- 2134-1 Street Name Signs – Type A
- 2134-2 Street Name Signs – Type B
- 2134-3* Street Name Signs – 18" And 24" Metro
- 2135 Street Name Sign Installation
- 2136 Advance Street Name Signs
- 2137 Loop Detectors
- 2138 Signal Pole Drilling Detail
- 2139 Traffic Signal Controller Cabinet Extender
- 2140 Model 330 Input Rack Wiring Instructions
- 2141 Tape Color Codes for Traffic Signal Wiring
- 2146-1* Refuse Enclosure
- 2146-2* Refuse Enclosure With Grease Containment Area
- 2147-1* Double Refuse Enclosure
- 2147-2* Double Refuse Enclosure With Grease Containment Area
- 2165-1 16' Sliding Gate & Hinged Door
- 2165-2 16' Sliding Gate

**2200 Series
Street Information**

- 2200 * Pavement Replacement
- 2201 * Trench Bedding & Backfill
- 2202 * Trench Plating
- 2207 * Residential Unpaved Road
- 2210 Grading Behind The Curb

**2200 Series
Street Information Cont'd**

- 2220 Curb And Gutter – Types "A" & "B"
- 2221 * Curb And Gutter – Types "M" & "W"
- 2225 * Median Nose & Reverse Curve Details
- 2226 * 16' Median Nose Details
- 2228 Cut-Off Wall
- 2230 Sidewalk Cut-Off For Utility Poles
- 2232 * Sidewalk Ramp Retrofit
- 2238 Concrete Paver Crosswalk
- 2239 Median Concrete Pavers
- 2240 6' Valley Gutter & Apron
- 2250 * Driveway Entrances
- 2255 Residential Driveways
- 2256 Commercial/Industrial Driveways-Type CL
- 2257 Commercial/Industrial Driveways-Type CH
- 2258 Commercial/Industrial Driveways-Type CI
- 2266-1 Mid-Block Bus Bay – Type "A"
- 2266-2 Mid-Block Bus Bay – Type "B"
- 2267 Far Side Bus Bay
- 2268 Base Slab And Foundations For Bus Stop Bench And Receptacles
- 2269 Transit Shelter Pad
- 2270 Frame & Cover Grade Adjustment
- 2281 Multi-Use Path Crossing Sign
- 2282 Multi-Use Path Striping And Signing
- 2283 Multi-Use Path Details
- 2284 Multi-Use Path Wet Crossing Sign
- 2285 Double Bicycle Rack

**2300 Series
Water Information**

- 2305-1 Butterfly Valve Operator Manhole
- 2305-2 Butterfly Valve Operator Manhole
- 2315 Nonpotable Water Valve Box & Cover
- 2330 Water Service Line Connection
- 2332 Chlorine Injection Tap
- 2333 Tap For Future Chlorine Injection
- 2342-1 Pressure Reducing Valve
- 2342-2 Pressure Reducing Valve
- 2345-1 3", 4", 6" Water Meter
- 2345-2 3", 4", 6" Water Meter
- 2346 Temporary Construction Meter
- 2348 Air / Vacuum Release Valve
- 2349 Water Quality Sampling Station
- 2351 Double Check Valve Backflow Prevention Assembly For Assemblies 3" Thru 10"
- 2352 Double Check Valve Backflow Prevention Assembly For Assemblies 3/4" Thru 2 1/2"
- 2353 Reduced Pressure Principle Backflow Prevention Assembly For Assemblies 3" Thru 10"
- 2354 Reduced Pressure Principle Backflow Prevention Assembly For Assemblies 3/4" Thru 2 1/2"
- 2355 Pressure Vacuum Breaker Assembly For Assemblies 1/2" Thru 2"
- 2356 Guard Posts For Backflow Prevention Assemblies

NOTE: * - Indicates New Or Revised Details For 2002 Supplement.

DETAIL NO.
2100-1

**City of Scottsdale
Standard Details**

INDEX

DETAIL NO.
2100-1

2300 Series
Water Information Cont'd

- 2357 Fill Pipe Details For Portable Tanks w/
Air Gap Separation
- 2358 Backflow Prevention For Portable Tanks
With No Air Gap Separation
- 2359 "N" Shaped Double Check Valve
Backflow Prevention Assembly For
Assemblies 3" Thru 10"
- 2360 "N" Shaped Reduced Pressure Principle
Backflow Prevention Assembly For
Assemblies 3" Thru 10"
- 2361 Fire Hydrant Bypass Assembly
- 2362 1-1/2" - 2" Fire Line Connection
- 2363 Pavement Markers For Fire Hydrants
- 2364 Fire And Emergency Access And
Delineation
- 2365 Fire Lane Sign
- 2370 * Vertical Realignment Of Water Mains
- 2372 Minimum Utility Separation
Requirements
- 2397 * Electronic Ballmarker Placement
- 2398 Antenna Mast Detail

2400 Series
Sanitary Sewer Information

- 2402 Force Main Discharge Manhole
- 2403 2-Way F.M. Cleanout, 3" & Above
- 2404 F.M. Cleanout W/ Sewer Release A.V.
- 2405 Sewer Air Release Valve
- 2420 Water Tight Concrete Sewer Manhole
- 2460 Monitoring/Sampling Vault

2500 Series
**Irrigation & Storm
Drain Information**

- 2508 * Handrail Detail
- 2515-1 Wall Opening & Erosion Protection -
Type 1
- 2515-2 Drainage Grate At Block Wall
- 2515-3 Wall Opening Erosion Protection -
Type 2
- 2554 Concrete Invert Paving For Corrugated
Metal Pipe And Pipe Arch
- 2562-1 * Storm Sewer Outfall Access Barrier
- 2562-2 * Barrier Specifications Schedule

2600 Series
Landscape Information

- 2600-1 Minimum Tree Size Requirements
- 2600-2 Minimum Tree Size Requirements
- 2600-3 Minimum Tree Size Requirements
- 2620-1 Landscape Details
- 2620-2 Landscape Details
- 2620-3 Landscape Details
- 2631 * Irrinet Pedestal Mounted Controller
- 2632 * Scorpio Pedestal Mounted Controller
- 2633 * Scorpio Wall Mounted Controller
- 2634 * Irrinet Wall Mounted Controller
- 2635-1 * Solar Controller
- 2635-2 * Solar Controller & Backflow Enclosure
- 2636 Irrigation Push Button Control

2600 Series
Landscape Information

- 2641-1 * Single & Multi-Outlet Emitters
- 2641-2 Irrigation Emitter Layout
- 2642 * Irrigation Trenching
- 2643 Irrigation Thrust Block
- 2644 * Rotor Sprinkler Assembly
- 2645 * Pop-Up Sprinkler Assembly
- 2646 * Shrub Pop-Up Sprinkler Assembly
- 2647 * Drip Filter & Pressure Regulator
- 2648 Emitter Flush Cap Assembly
- 2649 Quick Coupler Assembly
- 2650 * 1-1/2" & Smaller Mainline Ball Valve
- 2651 * 2" & Larger Mainline Isolation Valve
- 2652 2" Or Smaller Master Valve/Flow Meter
- 2653 * 3" Or Larger Master Valve/Flow Meter
- 2654 Remote Control Valve Assembly
- 2680-1 Trail Access Gates
- 2680-2 Trail Access Gates
- 2681 Trail Water Bars
- 2682 Trail Safety Barriers
- 2683 Trail Signs

NOTE: * - Indicates New Or Revised
Details For 2002 Supplement.

REVISED 2/26/01

NOTE:

Lettering shall be FHWA Series "B" alphabet, or Helvetica Med. Cond.

2" Letters

6" Symbol
Royal Blue
Solid With
White Symbol

0.875" Letters

0.5" Letters



ACCESSIBLE SIGNAGE

One Sign At Each
Accessible Parking Stall

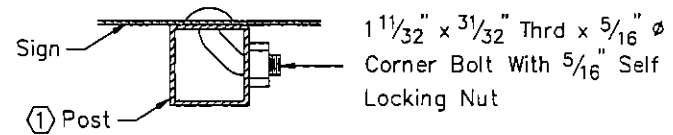
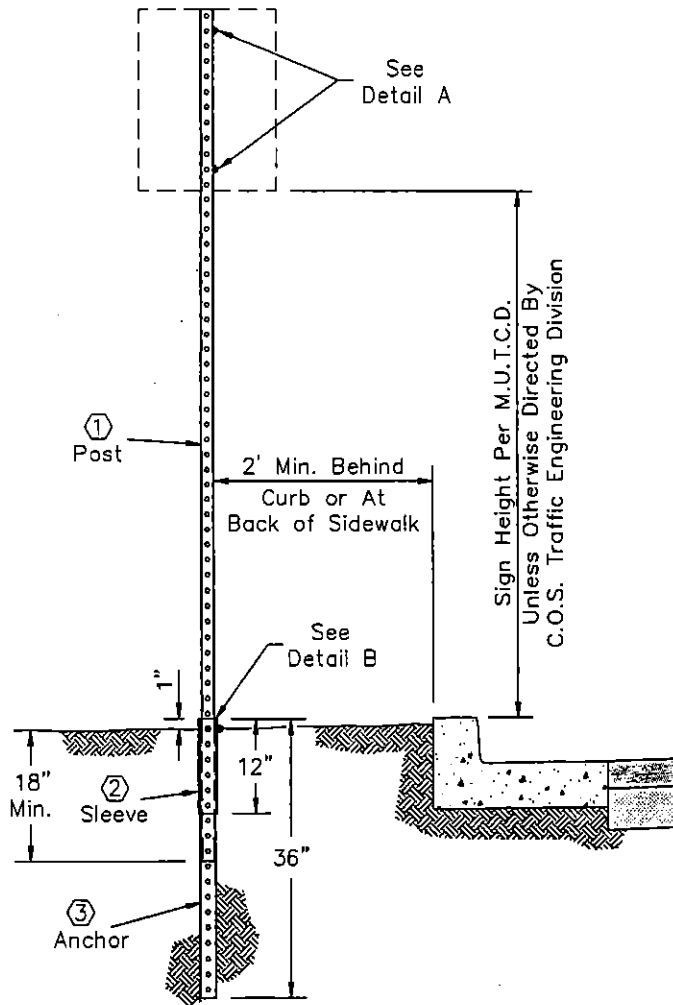
MOUNTING OPTIONS (SEE PLANS)

- A) Flexible P.E. Post With Surface Mount Base - Epoxy To Pavement Surface
- B) Perforated Galvanized Tubing Per COS Detail 2131. Install in Landscape Areas Only.
- C) Surface Mount To Structure
- D) Mount As Detailed On Plans

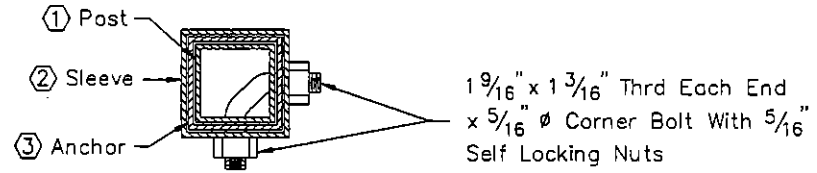
Green Borders and Text,
and Blue Symbol on White
Retroreflective Background (Typ.)
Background: Super
Engineer Grade Or
High Intensity Sheeting
Copy: Same As Above
Substrate: 0.080 Gauge
Treated Aluminum

Bottom Of Sign Shall Be
Not Less Than 3 Feet
Nor More Than 6 Feet
Above Finish Surface

REVISED 1/3/94



Detail A
Sign Mounting



Detail B
Anchor Assembly

Legend

- ① Post - 1-3/4" x 1-3/4" Square Perforated 0.105" Galvanized Steel Tubing (Green Finish)
- ② Sleeve - 2-1/4" x 2-1/4" x 12", Square Perforated 0.105 Galvanized Steel Tubing (Green Finish)
- ③ Anchor - 2" x 2" x 36", Square Perforated 0.105" Galvanized Steel Tubing (Green Finish)

NOTE:

1. Sign Post, Sleeve And Anchor Per COS Supplemental Spec. Section 402.3

DETAIL NO.
2131

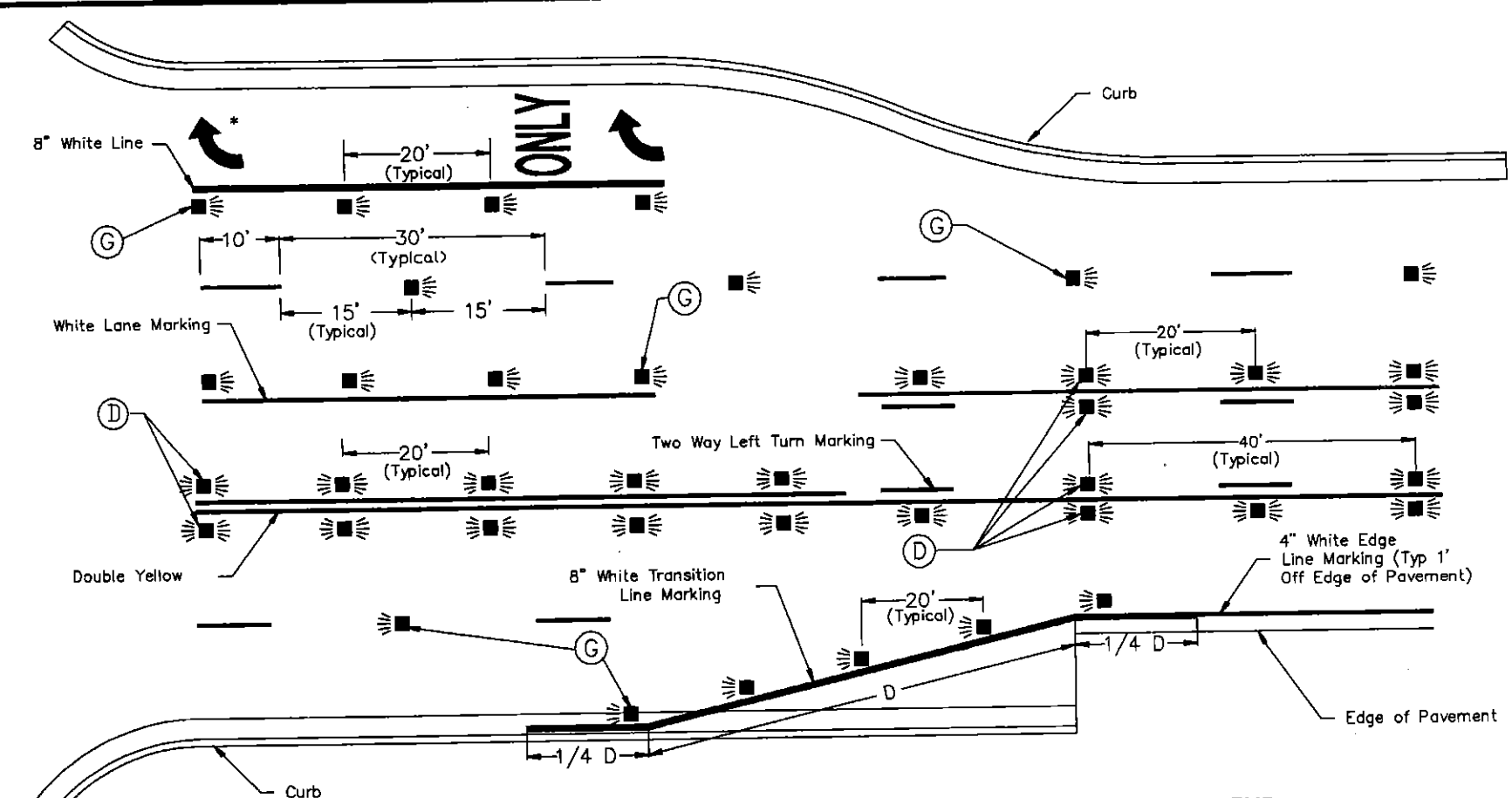
City of Scottsdale
Standard Details

APPROVED BY: *[Signature]*

SIGN POST INSTALLATION

DETAIL NO.
2131

REVISED 3/02/01



* SECOND ARROW IS USED IF BAY LINE IS 150' OR MORE

REFERENCE ADOT STD DRAWINGS 4-M-2.03 AND 4-M-2.04
SEE STANDARD DETAIL 2363 FOR FIRE HYDRANT MARKERS

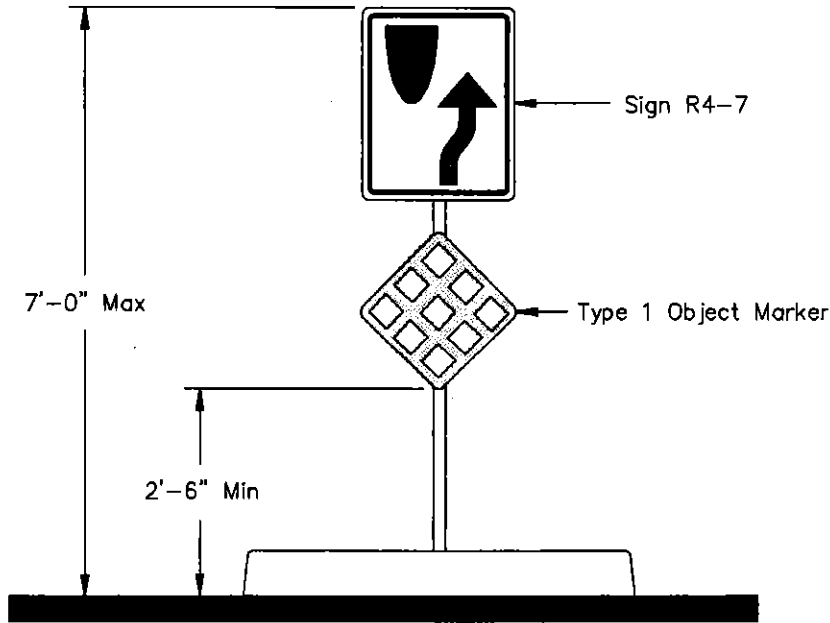
- LEGEND**
- ⊙ - TYPE "G" WHITE, ONE WAY REFLECTIVE
 - ⊙ - TYPE "D" YELLOW, TWO WAY REFLECTIVE
 - ■
 - ■

DETAIL NO. **2132** **City of Scottsdale**
Standard Details

RAISED PAVEMENT MARKER LAYOUT

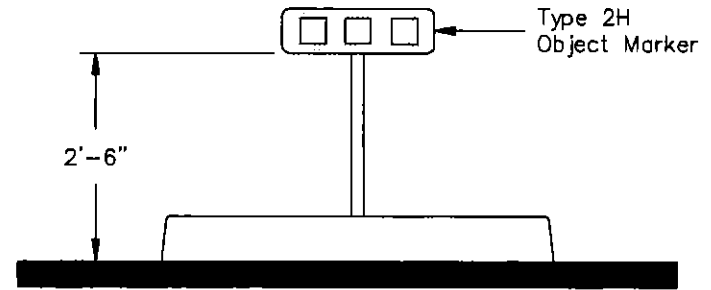
DETAIL NO. **2132**

Revised 2/26/01



TYPE 'A'

(AT SIGNALIZED INTERSECTIONS
OR AS SHOWN ON PLANS AND FIRST &
LAST NOSE ON A STRING OF MEDIANS)



TYPE 'B'
(ALL OTHER MEDIANS)

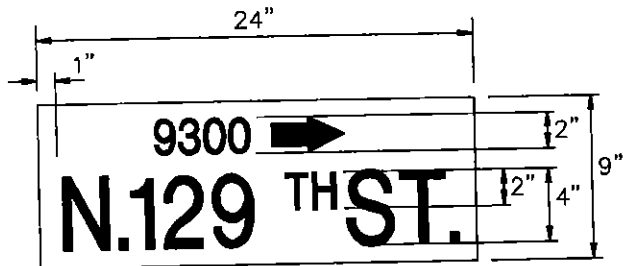
NOTES:

1. See COS Std Det 2225 Or 2226 For Typical Location.
2. Sign Posts Per COS Std Det 2131.

DETAIL NO. **2133** **City of Scottsdale**
Standard Details

MEDIAN NOSE SIGNING-TYPE A&B

DETAIL NO. **2133**

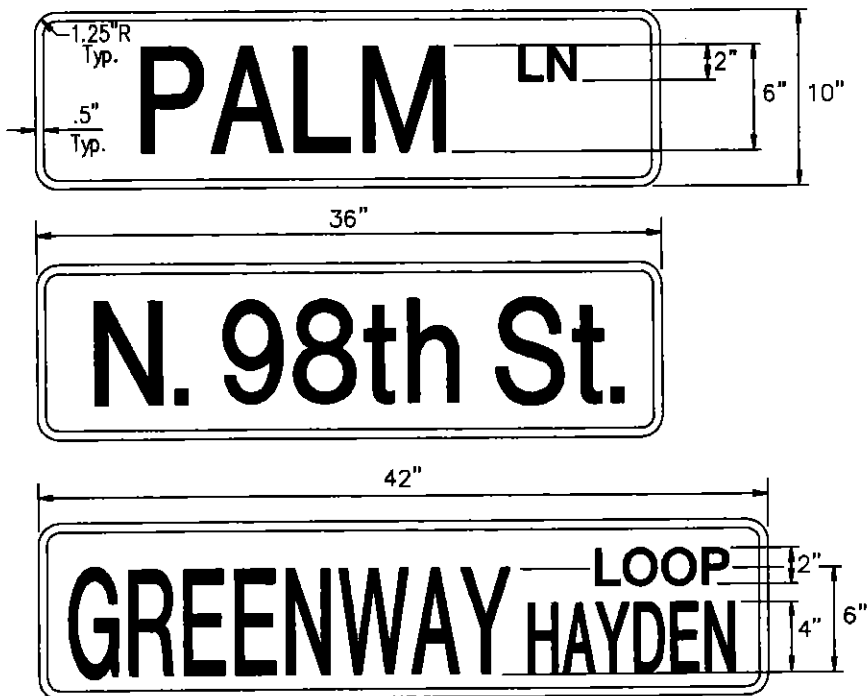


TYPE A SIGNS

Type IIA Super Engineering Grade
Green/White (2 Sides)

Blank Sizes: 9"x 24", 9"x 30",
9"x 36", 9"x 42"

Intended Usage: Type "A" Street Name Signs shall be used in residential areas where Residential Streets intersect with Local Collector Streets. See the COS General Plan for Street Designations.

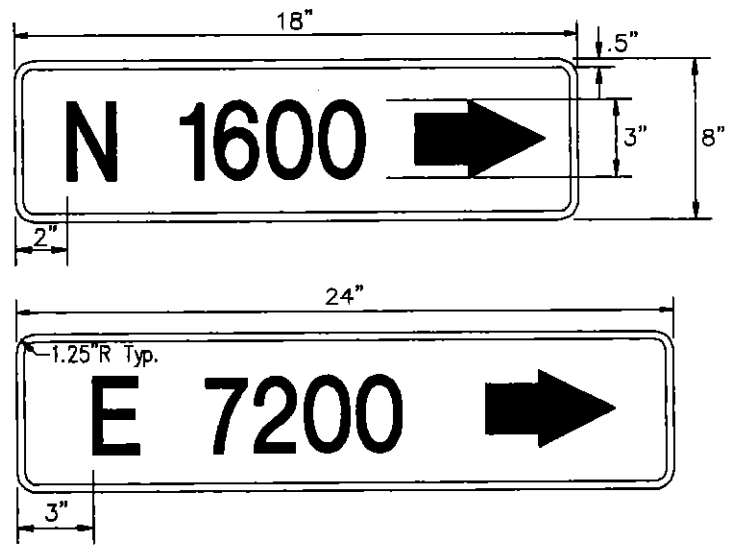


TYPE B SIGNS

Type III High Intensity Grade
Green/White (2 Sides)

Blank Sizes: 10"x 36", 10"x 42"

Intended Usage: Type "B" Street Name Signs shall be used where a Residential Street or a Local Collector Street intersects with a street with a classification of Major Collector or larger. See the COS General Plan for Street Designations.

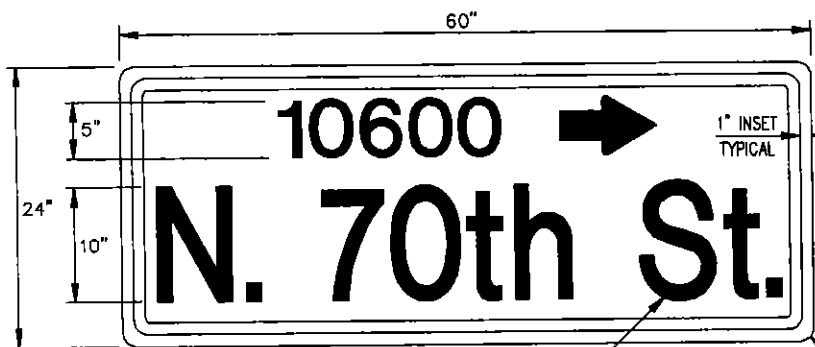


TYPE B BLOCK NUMBERS

Type III High Intensity Grade
Green/White (1 Side)

Blank Sizes: 8"x 18", 8"x 24"

Type "B" Block Numbers to be mounted with Type "B" Street Name Signs.



UPPER & LOWER CASE ON
NUMERIC STREET NAMES

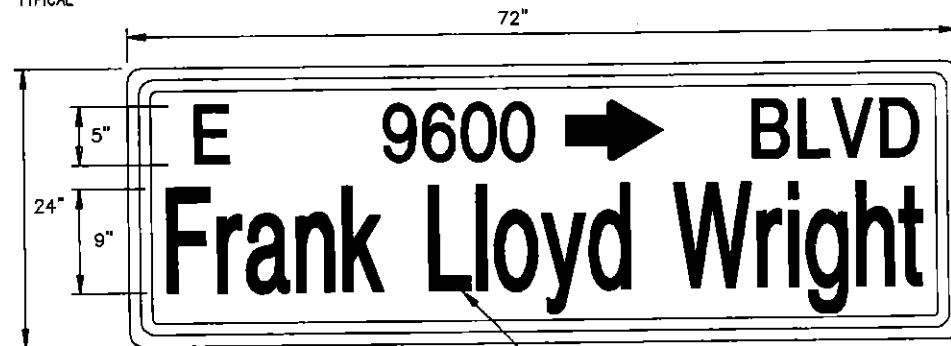


USE SMALLER SIZE LETTERS
FOR THESE TYPES



18" METRO SIGNS

Diamond Grade Intensity - Green/White (1 Side)
Typestyle = Highway Gothic, Modify C or D
Blank Sizes: 18"x 48", 18"x 60", 18" x 72"
Intended Usage: 18" Metro Street Name Signs shall be used on minor roads with a speed limit of 35MPH or lower. See the COS General Plan for Street Designations.



FOR STREET NAMES THAT WOULD EXCEED
MAXIMUM LENGTH SIGN BLANK USE 9"
UPPER AND LOWER CASE LETTERS

24" METRO SIGNS

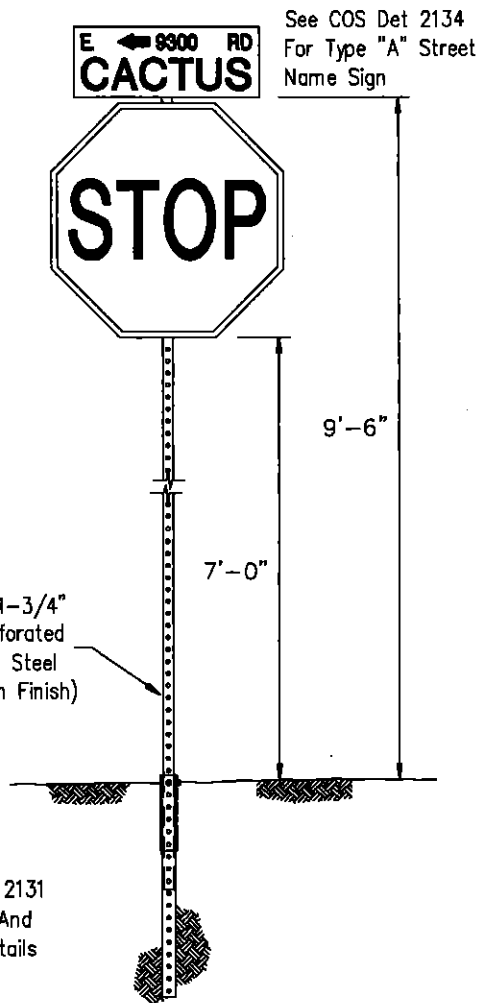
Diamond Grade Intensity - Green/White (1 Side)
Typestyle = Highway Gothic, Modify C or D
Blank Sizes: 24"x 60", 24"x 72", 24" x 84"
Intended Usage: 24" Metro Street Name Signs shall be used on major roads with a speed limit of 35MPH or higher. See the COS General Plan for Street Designations.

DETAIL NO.
2134-3

City of Scottsdale
Standard Details

STREET NAME SIGNS - 18" AND 24" METRO

DETAIL NO.
2134-3



NOTES:

Street name sign and stop sign mounting height shall be measured from adjacent grade of sidewalk, top of curb or top of nearest pavement.

When no stop sign is required the street name sign is mounted at 9 feet 6 inches.

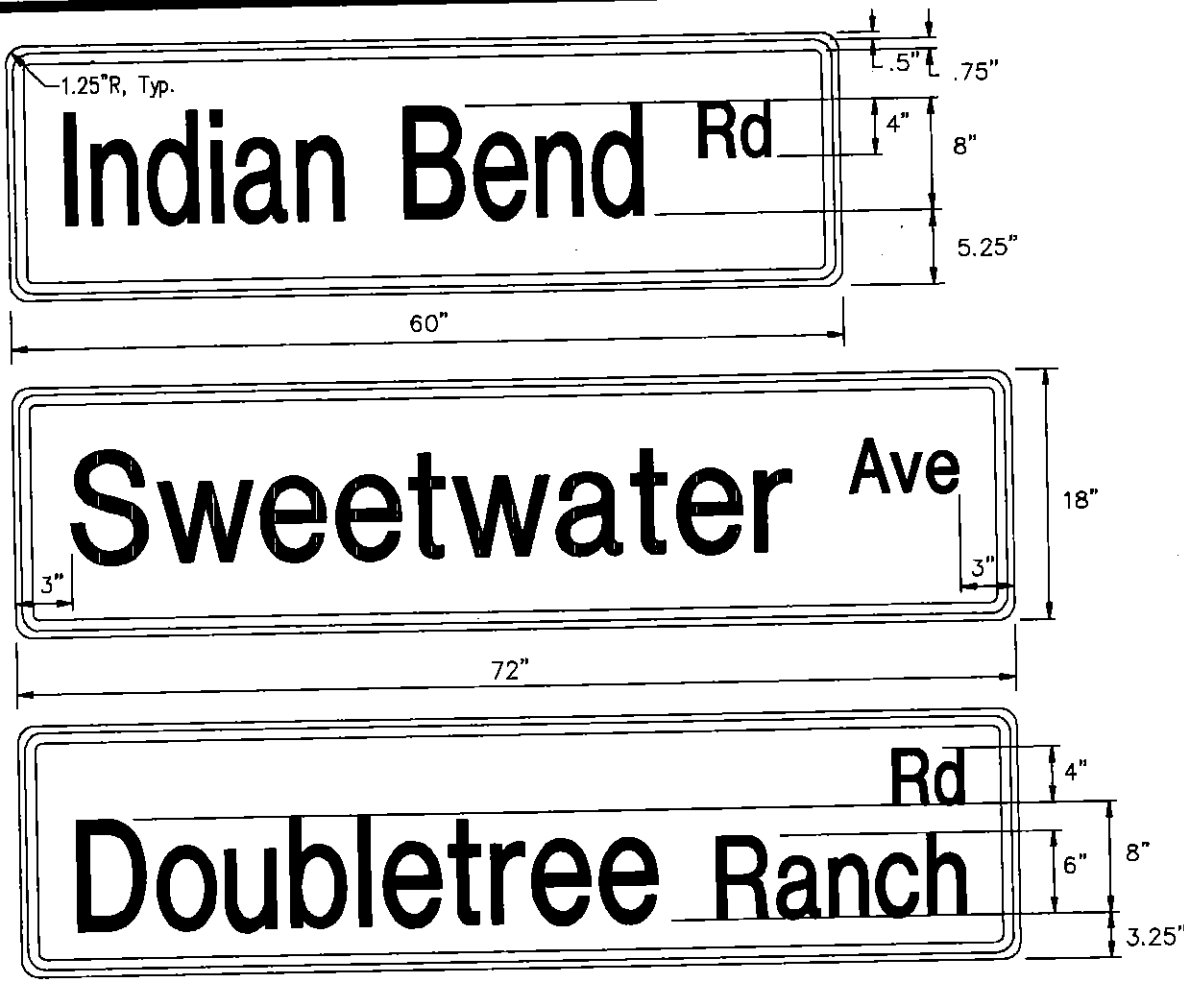
When two street name signs are mounted one on top of the other, the height is measured to the bottom sign.

DETAIL NO.
2135

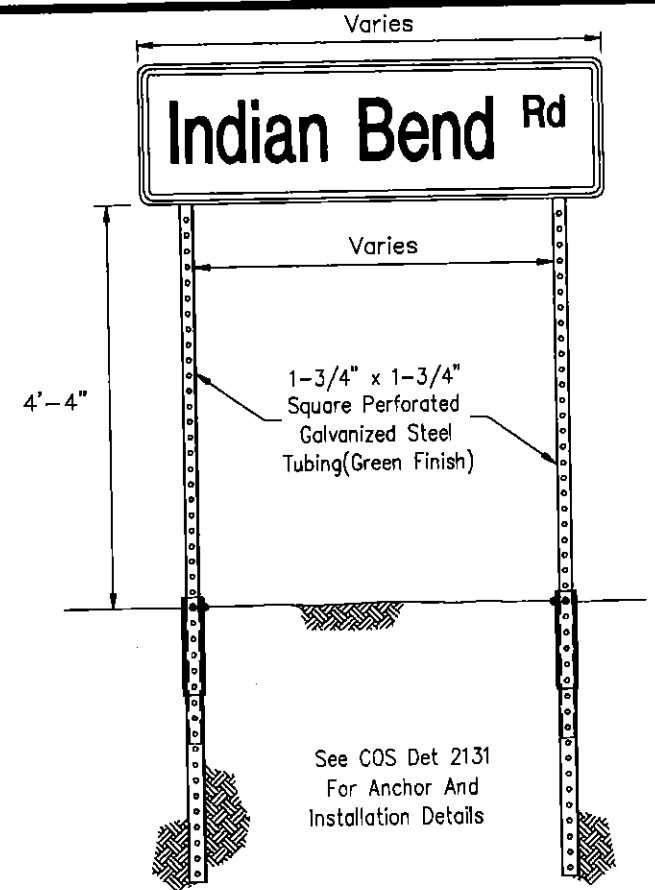
City of Scottsdale
Standard Details

STREET NAME SIGN INSTALLATION

DETAIL NO.
2135



Type III High Intensity, Green/White (1 Side)
 Blank Sizes: 18"x 48", 18"x 60", 18"x 72"

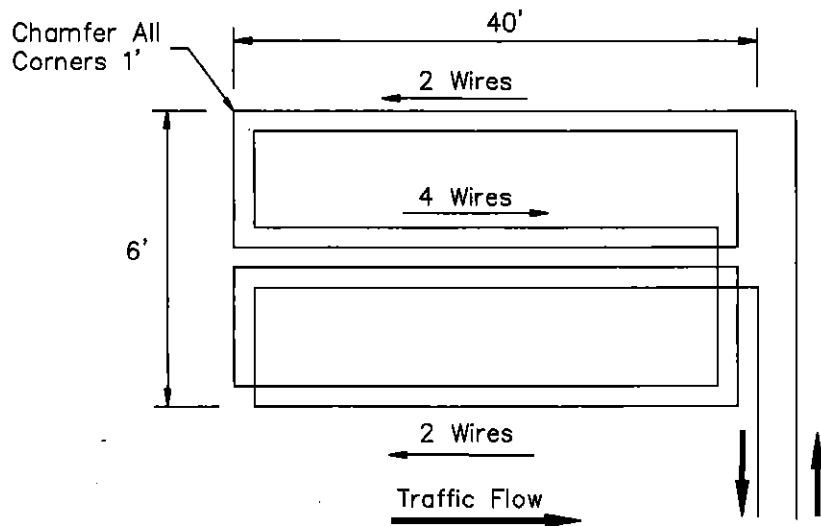


Intended Usage: To be used in advance of the specified street where an unsignalized collector street intersects a minor/major arterial or expressway. Location determined by multiplying the posted speed limit by 10. Sign is typically placed in a median when available, otherwise on the right hand side of the road.

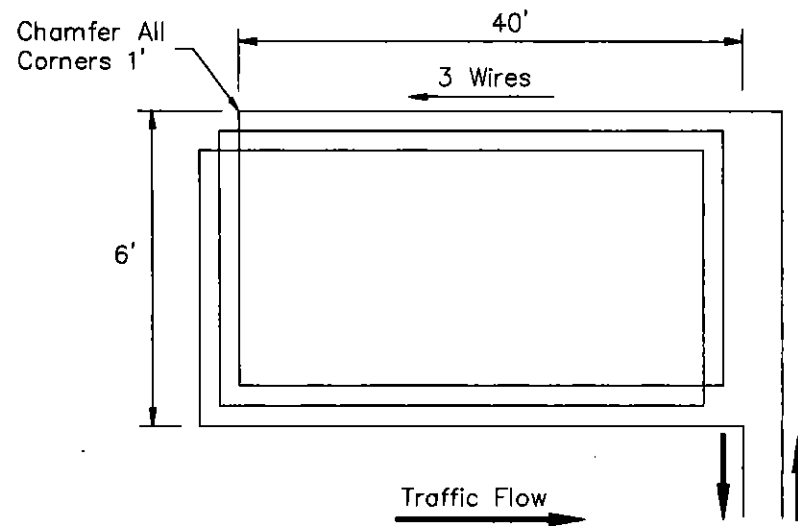
DETAIL NO. **2136** City of Scottsdale Standard Details

ADVANCE STREET NAME SIGNS

DETAIL NO. **2136**



**QUADRUPOLE LOOP DETECTOR
For Left Turn Lanes Only**



STANDARD LOOP DETECTOR

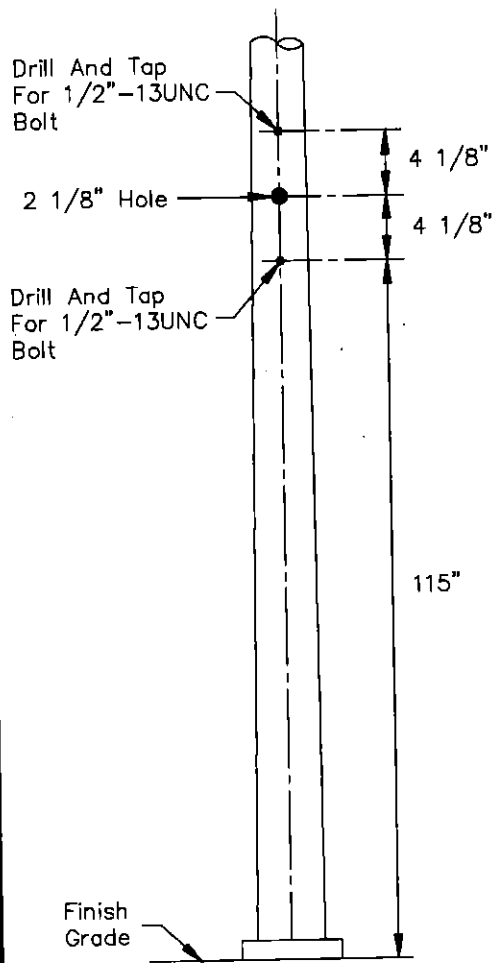
NOTES:

1. All loop detectors shall be wire-in-duct type wire. (Detect-a-Duct or approved equivalent, #14 stranded inside a 1/4" PVC tubing (MSA 51-5).
2. All loop detectors shall be centered in the middle of the applicable traffic lane. Loop shall be sufficiently dimensioned on the plans. Loop detectors shall extend five feet into the crosswalk unless directed otherwise by the Traffic Engineering Department.
3. A rectangular loop with 3 turns (6 feet x 40 feet) shall be used for all through lanes.
4. A quadrupole loop with 2 outside turns and 4 inside turns (6 feet x 40 feet) shall be used in all exclusive left-turn lanes. (Wire in middle cut shall run the same direction).
5. Loop detectors shall not be installed in exclusive right turn lanes.
6. The location of permanent count detector loops shall be specified by the Traffic Engineering Department. Count detector loops shall consist of a minimum of 4 turns (6 feet x 6 feet).
7. Pre-formed loop detectors conforming to the latest ADOT specifications shall be used under decorative pavement, "pavers", concrete, or other "special" roadway surfaces, or as directed by the Traffic Engineering Department.
8. Lead-in cable between loop wire and controller shall be latest ADOT specification or approved equivalent (MSA 50-2).
9. Loop lead-in and splices in pull box shall be twisted and soldered. Griggs Loop Detector Sealant, 3-M Loop Sealant, or approved equivalent shall be used.
10. Loops shall be installed prior to the installation of the final pavement lift (if part of a paving project).
11. Loops shall be inspected and tested prior to acceptance by the City.
12. See ADOT TS 7-1 for installation details.

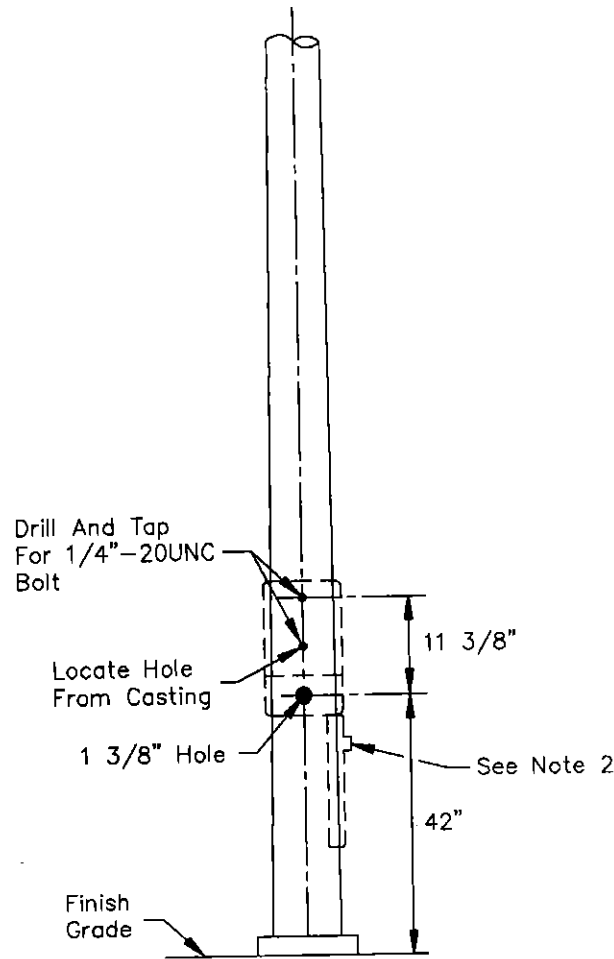
DETAIL NO. **2137** City of Scottsdale
Standard Details

LOOP DETECTORS

DETAIL NO. **2137**



SIDE MOUNT DRILLING DETAIL



PUSH BUTTON DRILLING DETAIL

NOTES:

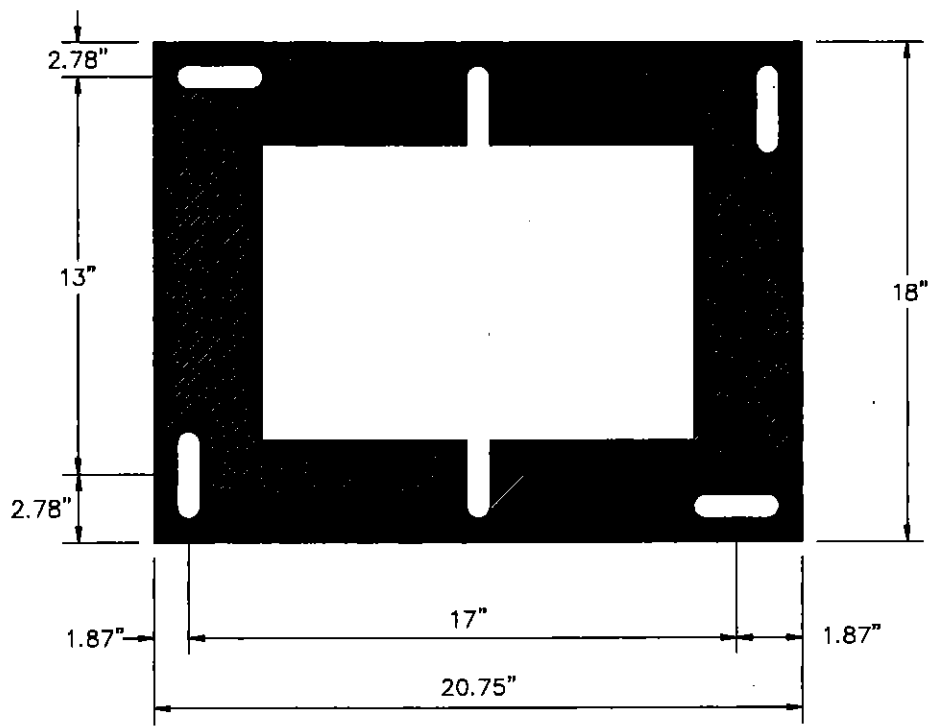
1. Drilling of pole to be oriented according to pole layout, or as directed by C.O.S. Engineer in the field.
2. When two pedestrian push button assemblies are mounted on a small diameter pole the lower assembly shall be positioned upside down so that the push button is at the top and the sign is below.
3. Top mounting holes to be field drilled in order to allow for manufacturing variations.
4. Push button shall be A.D.A large target style (ADOT Type I).

DETAIL NO.
2138

**City of Scottsdale
Standard Details**

SIGNAL POLE DRILLING DETAIL

DETAIL NO.
2138



INSIDE VIEW OF BOTH
SIDES OF BASE EXTENDER

1. Model 330 cabinet base extenders will include cutouts that will accommodate replacement with all other Scottsdale 330 cabinets and model 336S. These base extenders are available from the cabinet manufacturer. All Scottsdale cabinets are foundation mounted.
2. Foundation must include a 4" x 24" x 24" concrete pad in front of the cabinet door.
3. The cabinet shall be mounted in such a way that when the technician has the door open and is facing the cabinet, he is also facing the intersection.
4. Cabinet base extender shall have a 12" x 12" removable access panel. Base extender shall be installed so that access panel is on door side of cabinet.

DETAIL NO.
2139

City of Scottsdale
Standard Details

TRAFFIC SIGNAL CONTROLLER CABINET BASE EXTENDER

DETAIL NO.
2139

LOOP AND PEDESTRIAN PUSH BUTTON INPUTS

Slot 1	Slot 2	Slot 3	Slot 4	Slot 5	Slot 6	Slot 7	Slot 8	Slot 9	Slot 10	Slot 11	Slot 12	Slot 13	Slot 14
1 AB Ph 1	3 AB Ph 2	5 AB Ph 3	7 AB Ph 4	9 AB Ph 5	11 AB Ph 6	13 AB Ph 7	15 AB Ph 8	17 AB 2 PPB	19 AB 4PPB	21 AB RRPre	23 AB AdvEn	25 AB EV A	27 AB Stop Time
2 AB Ph 1	4 AB Ph 2	6 AB Ph 3	8 AB Ph 4	10 AB Ph 5	12 AB Ph 6	14 AB Ph 7	16 AB Ph 8	18 AB 6 PPB	20 AB 8PPB	22AB Flash	24 AB Adv	26 AB EV B	28 AB 6 Call
Det Loops	Det Loops	Det Loops	Det Loops	Det Loops	Det Loops	Det Loops	Det Loops	Ped Push Buttons	Ped Push Buttons	-----	-----	Pre- Empt	Slot 14 ----- Slot 14

1. All Scottsdale model 330 cabinet input racks have 14 slots.
2. Slots 1-8 are for vehicle detector loops.
3. Phase 4 loops are terminated on slot 4 (7A&B and/or 8A&B).
4. Phase 4 pedestrian push button is terminated on 19A and ppb neutral on 19B.
5. 19B shall have a jumper to the neutral bar.
6. All two phase intersections are to be wired to phases 2 and 4.
7. Field output wiring for 2 phase signals shall be wired to 2R, 2Y, 2G and 4R, 4Y, 4G.
8. Ped field wiring shall be wired to 9R, 9G (Phase 2 Ped) and 10R, 10G (Phase 4 Ped).
9. Call COS Traffic Signals (480)312-5635 prior to wiring cabinet for instructions for intersections with more than 2 phases.

DETAIL NO.
2140

City of Scottsdale
Standard Details

MODEL 330 INPUT RACK WIRING INSTRUCTIONS

DETAIL NO.
2140

MAIN DIRECTIONS

Direction	Color
WB	Blue
EB	Green
NB	Red
SB	Yellow

**LEFT TURN DIRECTIONS
(Main Color + White)**

Direction	Color
WBLT	Blue + White
EBLT	Green + White
NBLT	Red + White
SBLT	Yellow + White

**RIGHT TURN DIRECTIONS
(Main Color + Black)**

Direction	Color
WBRT	Blue + Black
EBRT	Green + Black
NBRT	Red + Black
SBRT	Yellow + Black

**Color Of Wire For
Power/Neutrals/Pushbuttons**

Wire	Color
AC+ Power	Black
AC- (Neutral)	White
24V Pushbutton	Orange, Stranded

WBLT = West Bound Left Turn and shall be the phase for vehicles facing west and turning to south
 EBLT = East Bound Left Turn and shall be the phase for vehicles facing east and turning to north
 NBLT = North Bound Left Turn and shall be the phase for vehicles facing north and turning to west
 SBLT = South Bound Left Turn and shall be the phase for vehicles facing south and turning to east

WBRT = West Bound Right Turn and shall be the phase for vehicles facing west and turning to north
 EBRT = East Bound Right Turn and shall be the phase for vehicles facing east and turning to south
 NBRT = North Bound Right Turn and shall be the phase for vehicles facing north and turning to east
 SBRT = South Bound Right Turn and shall be the phase for vehicles facing south and turning to west

DETAIL NO.
2141

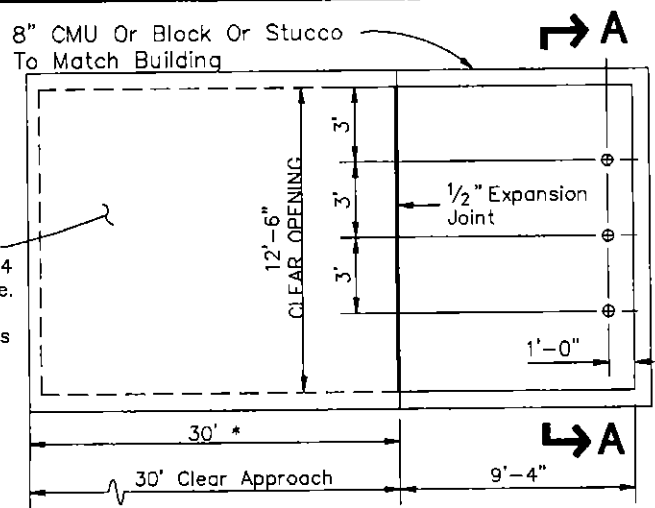
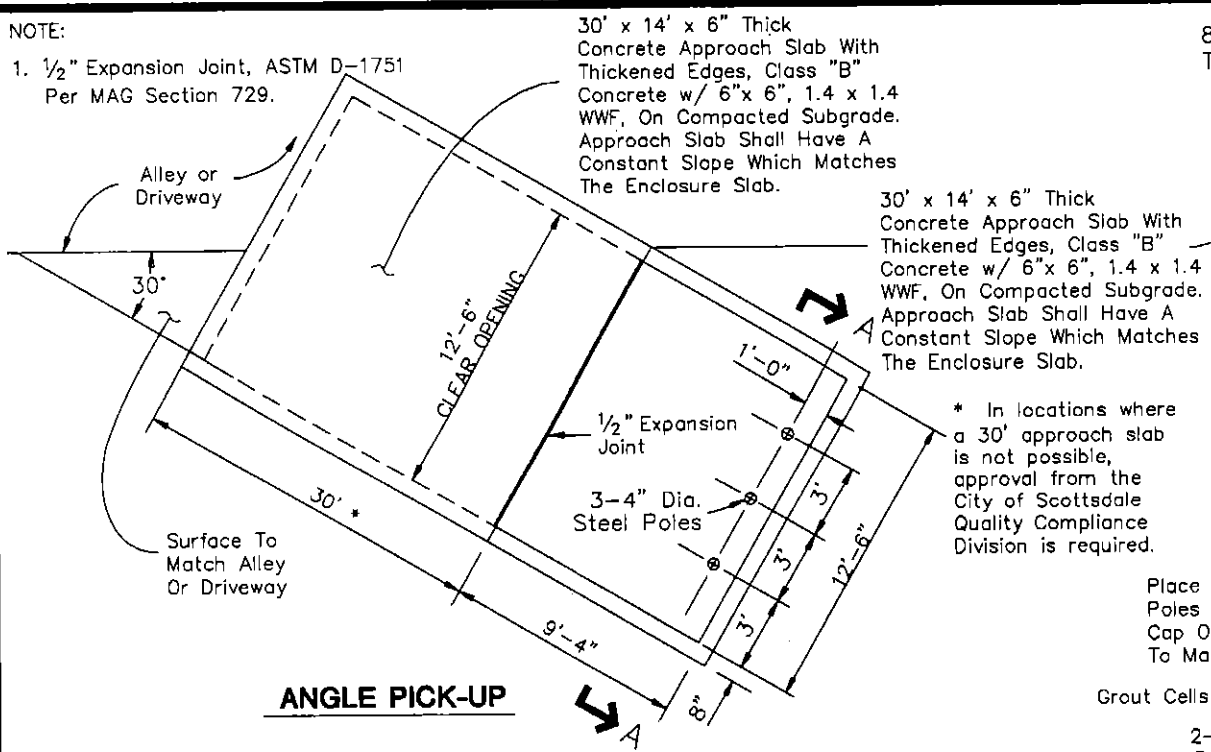
City of Scottsdale
Standard Details

TAPE COLOR CODES FOR TRAFFIC SIGNAL WIRING

DETAIL NO.
2141

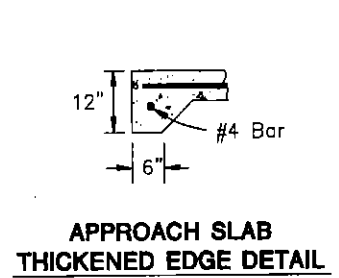
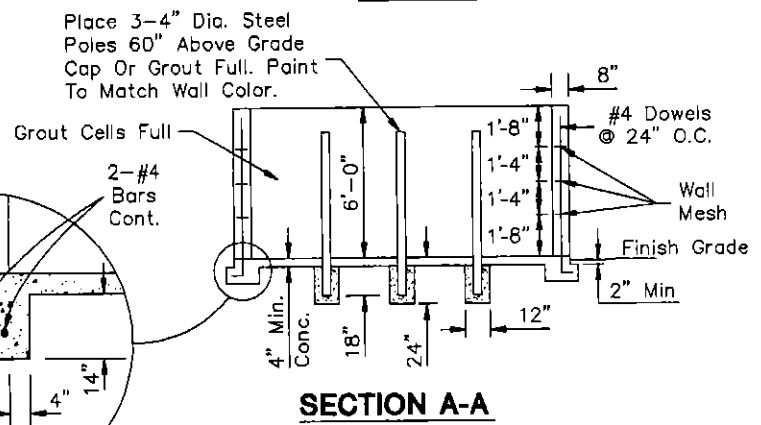
REVISED 5/9/02

NOTE:
1. 1/2" Expansion Joint, ASTM D-1751
Per MAG Section 729.



HEAD ON PICK-UP

ANGLE PICK-UP

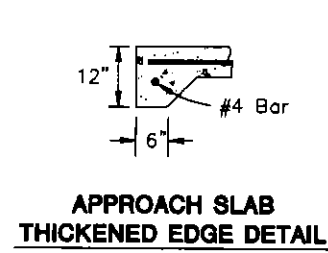
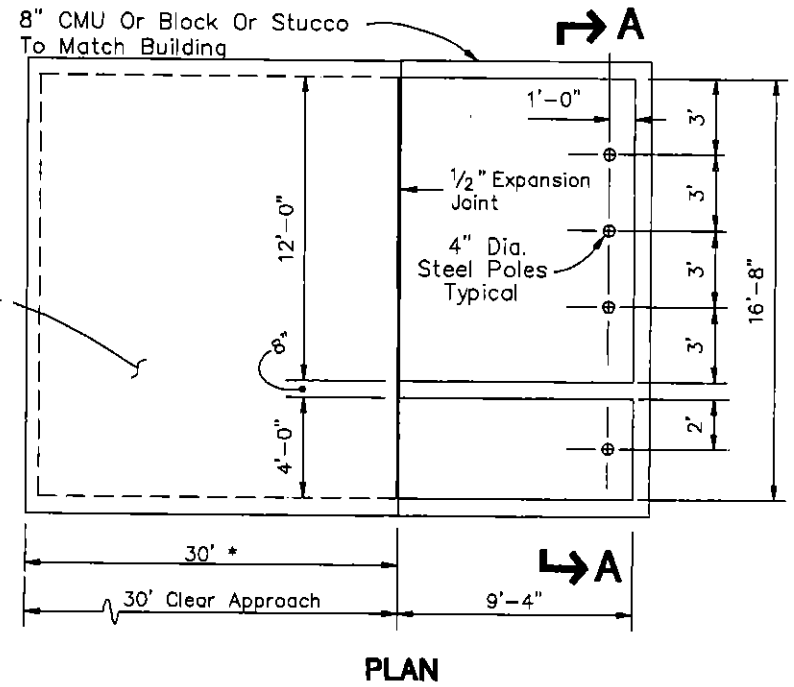
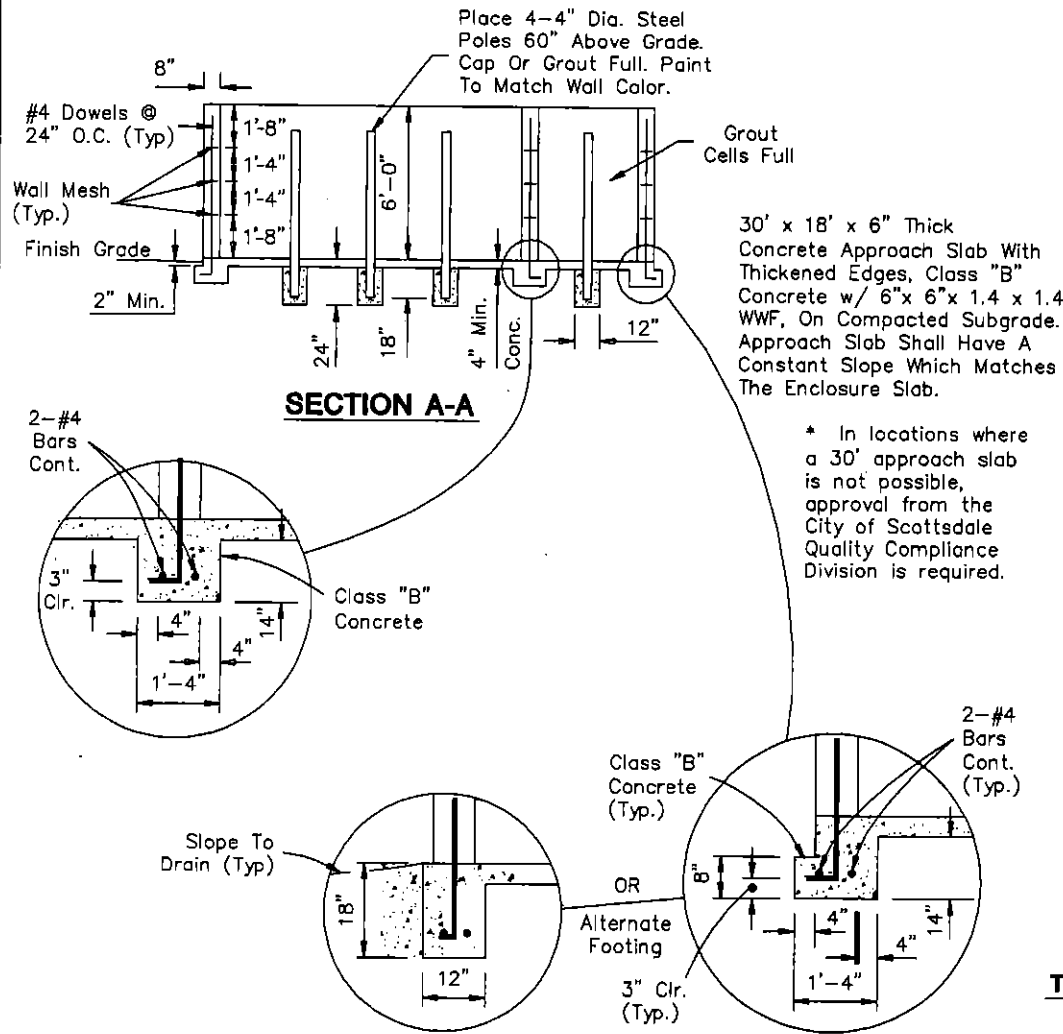


DETAIL NO. 2146-1 City of Scottsdale Standard Details

REFUSE ENCLOSURE

DETAIL NO. 2146-1

REVISED 5/9/02



- NOTES:**
1. Enclosure For Angle Pick-up Similar To COS Detail 2146-1
 2. 1/2" Expansion Joint, ASTM D-1751 Per MAG Section 729.

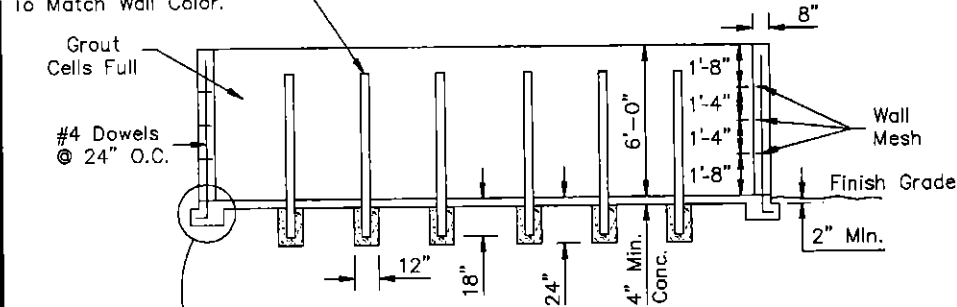
DETAIL NO. **2146-2** City of Scottsdale Standard Details

REFUSE ENCLOSURE W/ GREASE CONTAINMENT AREA

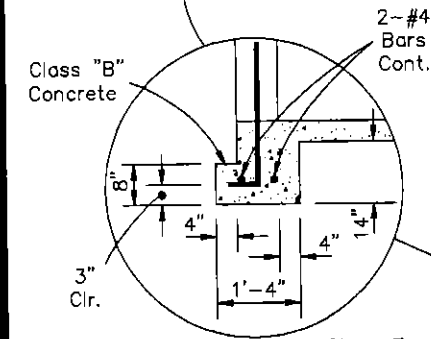
DETAIL NO. **2146-2**

REVISED 5/9/02

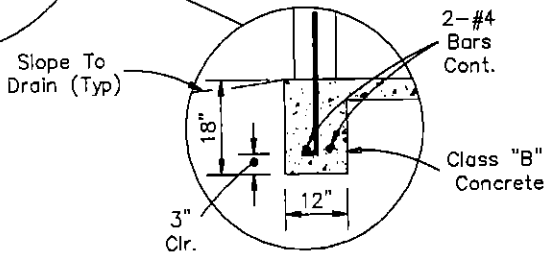
Place 6-4" Dia. Steel Poles 60" Above Grade Cap Or Grout Full. Paint To Match Wall Color.



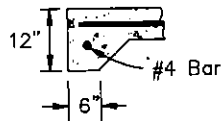
SECTION A-A



OR Alternate Footing



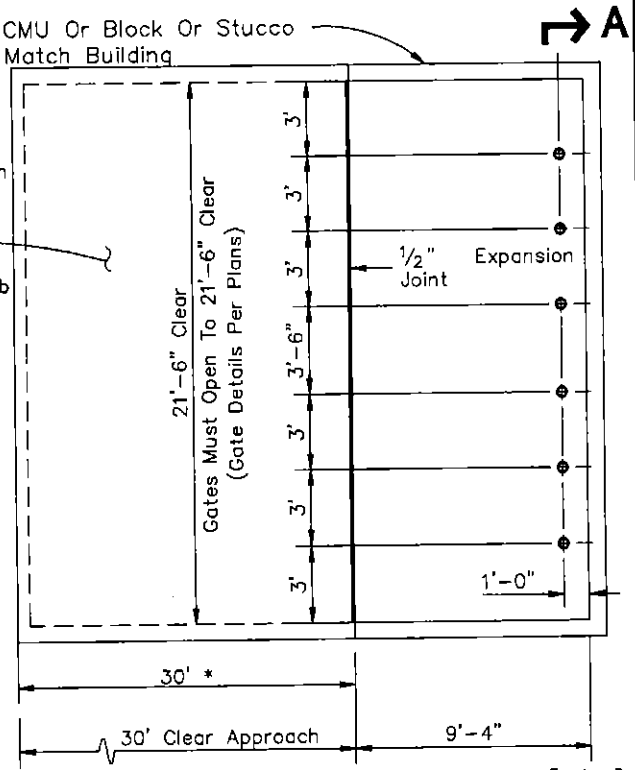
APPROACH SLAB THICKENED EDGE DETAIL



8" CMU Or Block Or Stucco To Match Building

30' x 23' x 6" Thick Concrete Approach Slab With Thickened Edges, Class "B" Conc. w/ 6"x 6", 1.4 x 1.4 WWF, On Compacted Subgrade. Approach Slab Shall Have A Constant Slope Which Matches The Enclosure Slab.

* In locations where a 30' approach slab is not possible, approval from the City of Scottsdale Quality Compliance Division is required.



PLAN

NOTE:

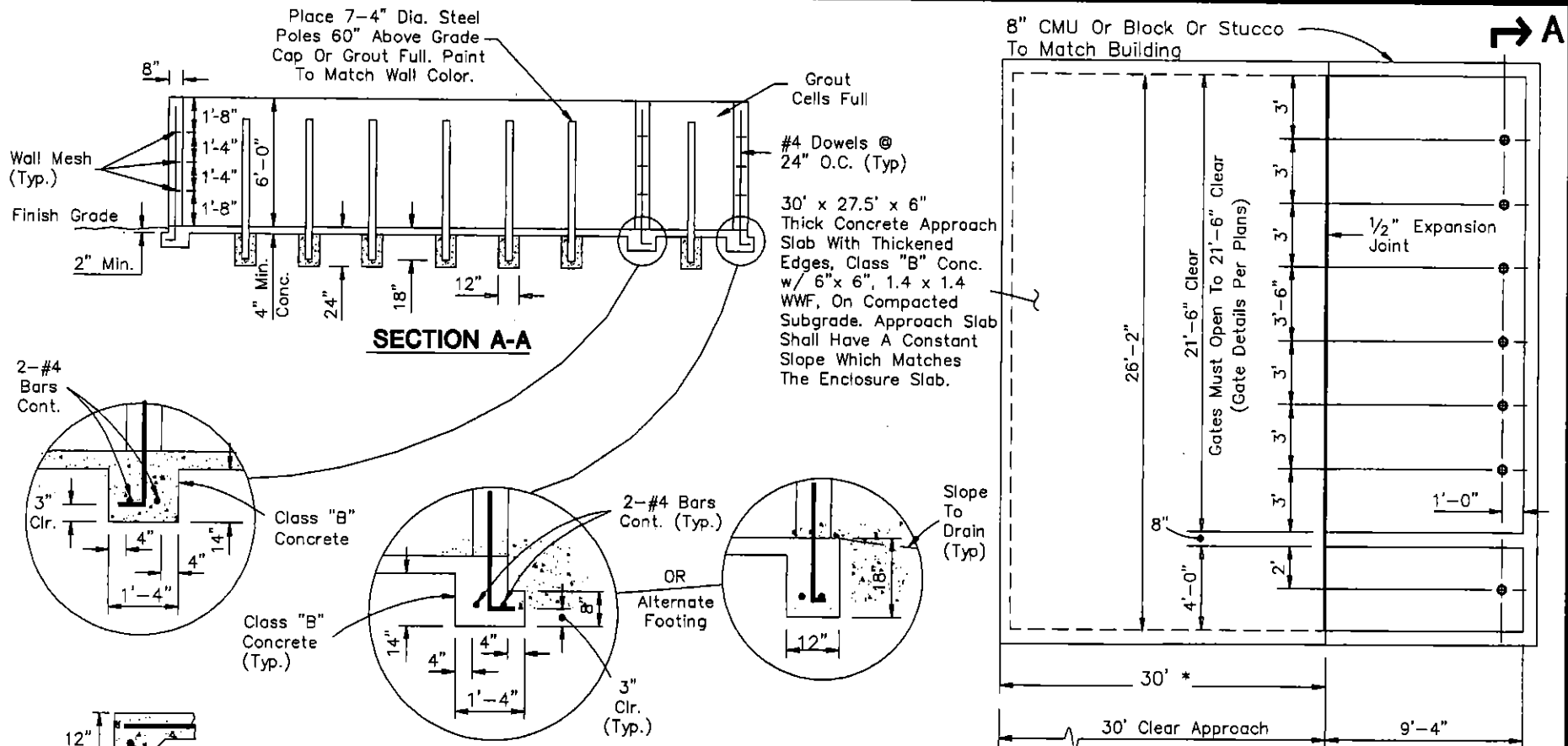
1. Double Enclosure For Angle Pick-Up Similar To COS Det. 2146-1
2. 1/2" Expansion Joint, ASTM D-1751 Per MAG Section 729.

DETAIL NO. **2147-1** City of Scottsdale Standard Details

DOUBLE REFUSE ENCLOSURE

DETAIL NO. **2147-1**

REVISED 5/9/02



SECTION A-A

PLAN

APPROACH SLAB THICKENED EDGE DETAIL

NOTES:

1. Double Enclosure For Angle Pick-Up Similar To COS Det. 2146-1
2. 1/2" Expansion Joint, ASTM D-1751 Per MAG Section 729.

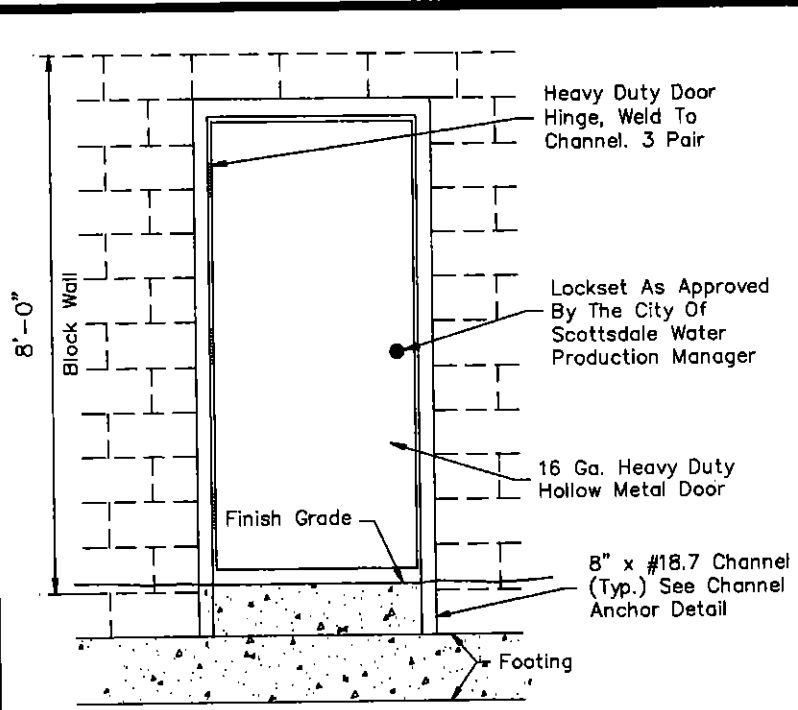
* In locations where a 30' approach slab is not possible, approval from the City of Scottsdale Quality Compliance Division is required.

DETAIL NO. **2147-2** City of Scottsdale Standard Details

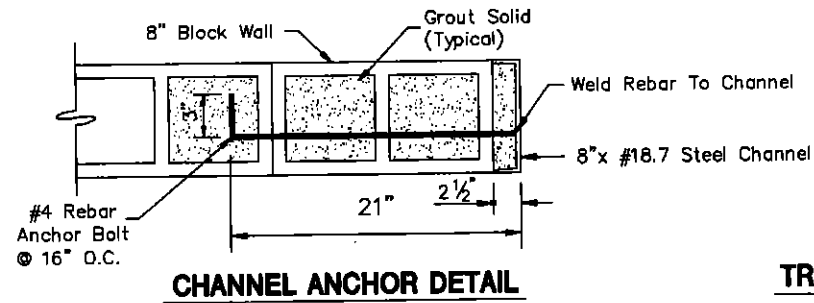
DOUBLE REFUSE ENCLOSURE W/ GREASE CONTAINMENT AREA

DETAIL NO. **2147-2**

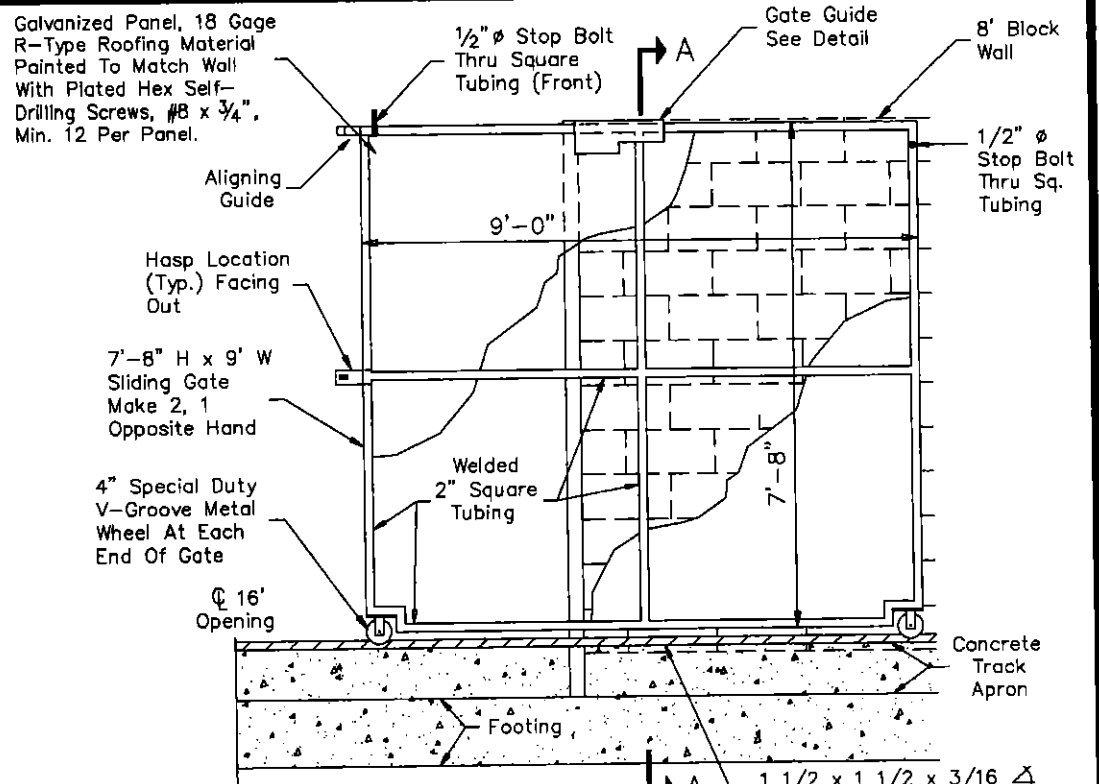
REVISED 1/5/00



HINGED DOOR



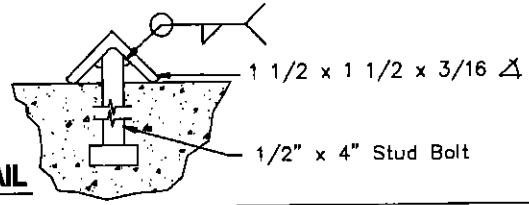
CHANNEL ANCHOR DETAIL



ELEVATION

1 1/2 x 1 1/2 x 3/16 Δ Track, 18' Long Each Side Of Opening ϕ And 4" From Wall Face. Anchor Per Section A-A.

TRACK DETAIL

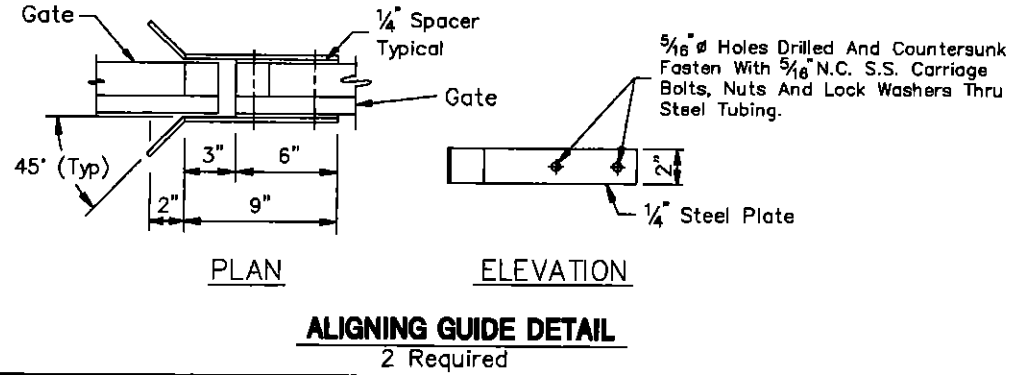
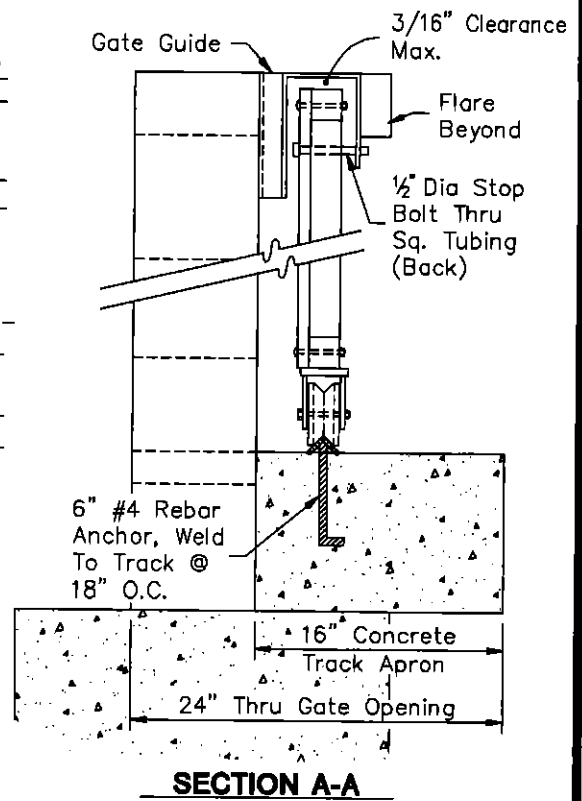
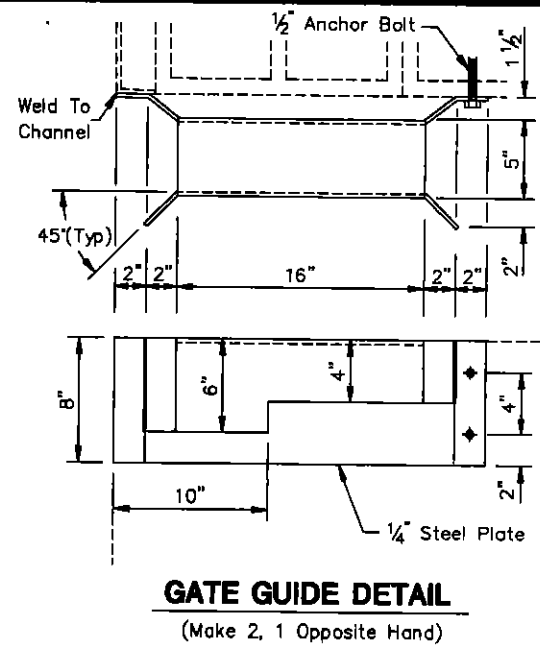
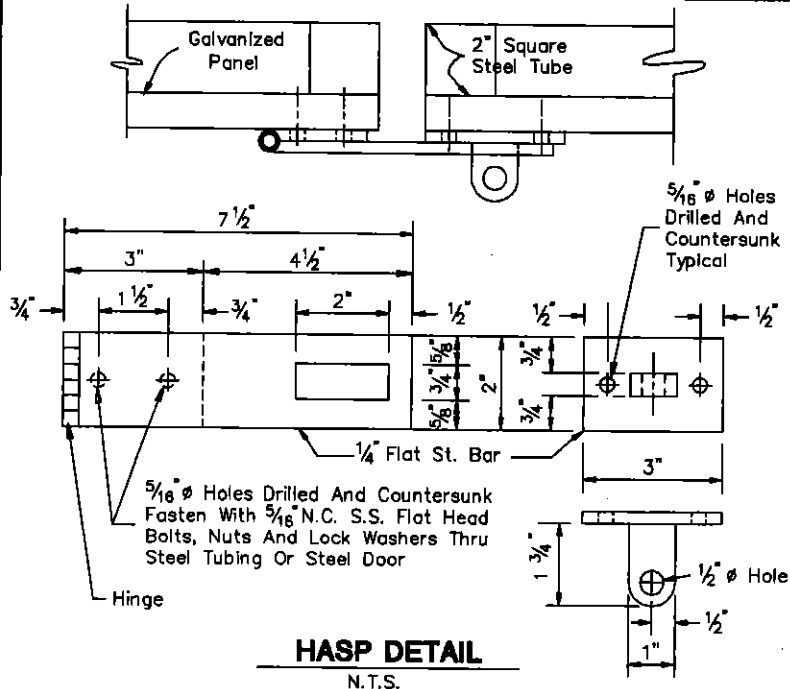


DETAIL NO. **2165-1** City of Scottsdale Standard Details

16' SLIDING GATE & HINGED DOOR

DETAIL NO. **2165-1**

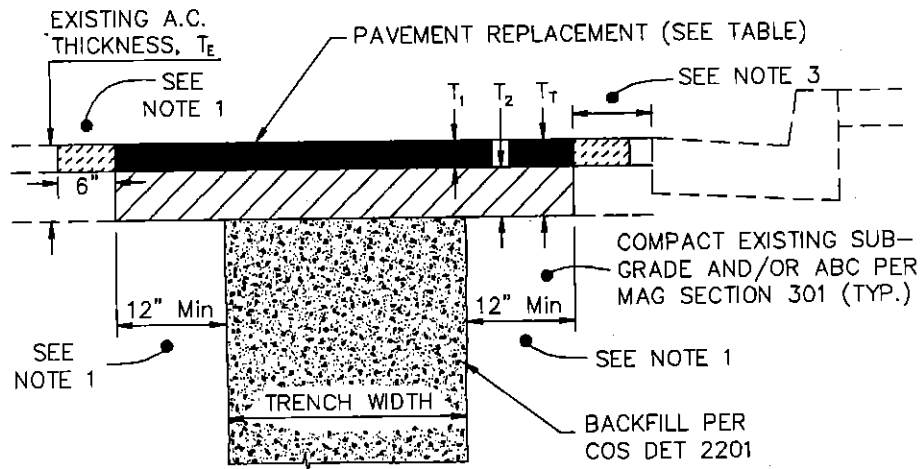
REVISED 3/15/99



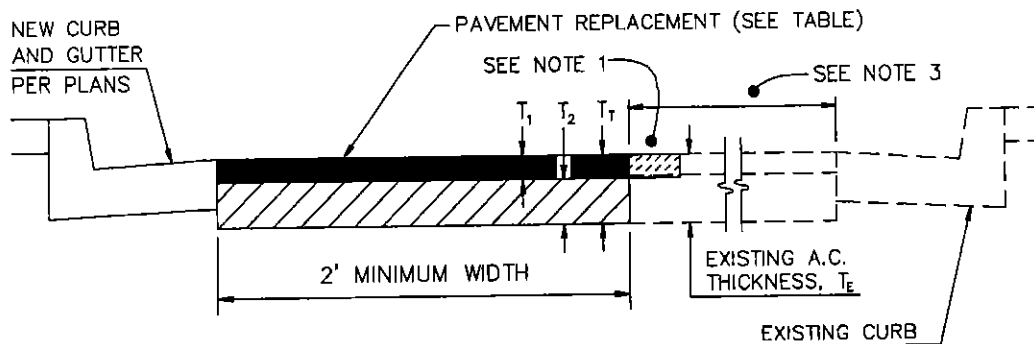
- NOTES:**
1. Contractor shall prime and paint all metal surfaces. Before application, the color and manufacturer of the paint shall be approved by the City.
 2. Prior to painting, all surfaces shall be cleaned free of concrete, mortar, rust, dirt and any other objectionable materials.
 3. Apply one (1) primer coat and two (2) exterior alkyd gloss enamel coats to metal.

DETAIL NO. 2165-2	City of Scottsdale Standard Details	APPROVED BY: Scottsdale Standards & Specifications Committee	16' SLIDING GATE	DETAIL NO. 2165-2
-----------------------------	--	--	-------------------------	-----------------------------

REVISED 3/28/02



PAVEMENT REPLACEMENT FOR TRENCHES (T-TOP)



PAVEMENT REPLACEMENT

EXISTING PAVEMENT THICKNESS, T_E	AC PAVEMENT REPLACEMENT TABLE		
	AC SINGLE COURSE OR SURFACE COURSE, T_1	AC BASE COURSE, T_2	TOTAL THICKNESS, T_T
$T_E \leq 3"$	3" MINIMUM	NONE	3" MINIMUM
$T_E > 3"$	2" MINIMUM	2" MINIMUM	T_E (MATCH EXIST)

PAVEMENT REPLACEMENT NOTES

1. "T"-TOP REQUIRED FOR ALL TRENCHES. A.C. SURFACE COURSE REPLACEMENT TO BE MILLED DOUBLE "T" CONFIGURATION AS SPECIFIED BELOW FOR PAVEMENTS 4" AND THICKER.
 - a. FOR PAVEMENT 4 YEARS AND OLDER: INITIAL A.C. REMOVAL TO BE THE MINIMUM WIDTH REQUIRED FOR PROPER TRENCH COMPACTION. SAWCUT & REMOVE 12" OF A.C. MINIMUM ON EACH SIDE OF THE TRENCH FOR THE "T"-TOP AFTER THE BACKFILL MATERIAL IS PLACED. PAVEMENTS 4" AND THICKER, MILL AND REMOVE THE TOP 2" OF THE SURFACE COURSE A MINIMUM OF 6" ON EACH SIDE OF THE T-TOP PRIOR TO PLACEMENT OF THE FINAL SURFACE COURSE LIFT.
 - b. FOR NEW AND OVERLAYED PAVEMENT LESS THAN 4 YEARS OLD AND WHEN ALLOWED UNDER THE PROVISIONS OF SCOTTSDALE REVISED CODE SECTIONS 47-79 AND ALL PAVEMENTS WITH RUBBERIZED SURFACE COURSES: INITIAL A.C. REMOVAL TO BE THE MINIMUM WIDTH REQUIRED FOR PROPER TRENCH COMPACTION. SAWCUT & REMOVE 12" OF A.C. MINIMUM ON EACH SIDE OF THE TRENCH FOR THE "T"-TOP AFTER THE BACKFILL MATERIAL IS PLACED. PAVEMENTS 4" AND THICKER, MILL AND REMOVE THE TOP 2" OF THE SURFACE COURSE EQUALLY ON BOTH SIDES OF THE TRENCH TO A MINIMUM TOTAL WIDTH OF 10 FEET. FOR PAVEMENTS LESS THAN 4" THICK SAWCUT, REMOVE AND REPLACE THE ENTIRE PAVEMENT SURFACE TO A MINIMUM TOTAL WIDTH OF 10 FEET, AS DIRECTED BY THE ENGINEER.
 - c. FOR DEEP PAVEMENT STRUCTURES REQUIRING TWO OR MORE PAVEMENT BASE LIFTS: INITIAL A.C. REMOVAL TO BE THE MINIMUM WIDTH REQUIRED FOR PROPER TRENCH COMPACTION. SAWCUT, REMOVE AND REPLACE A.C. ON BOTH SIDES OF THE TRENCH AS NECESSARY TO ACCOMMODATE A RIDE ON TYPE VIBRATORY ROLLER COMPACTOR FOR PLACEMENT OF THE A.C. BASE COURSE LIFTS, MATCH EXISTING A.C. DEPTH. MILL AND REMOVE THE TOP 2" OF THE SURFACE COURSE EQUALLY ON BOTH SIDES OF THE TRENCH TO A MINIMUM TOTAL WIDTH OF 10 FEET.
2. ASPHALT CONCRETE SHALL BE IN ACCORDANCE WITH THE REQUIREMENTS OF MAG SECTION 321.
3. IF PAVEMENT REMNANT IS LESS THAN 36", REMOVE AND REPLACE PAVEMENT AS PER THIS DETAIL.
4. AGGREGATE BASE COURSE PER MAG SECTION 702 SHALL BE PROVIDED TO MATCH EXISTING ABC THICKNESS IN ADJACENT ROADWAY.
5. REFER TO COS SUPPLEMENTAL SPECIFICATIONS, SECTION 336.2.4 FOR PAVEMENT SMOOTHNESS REQUIREMENTS.

DETAIL NO.
2200

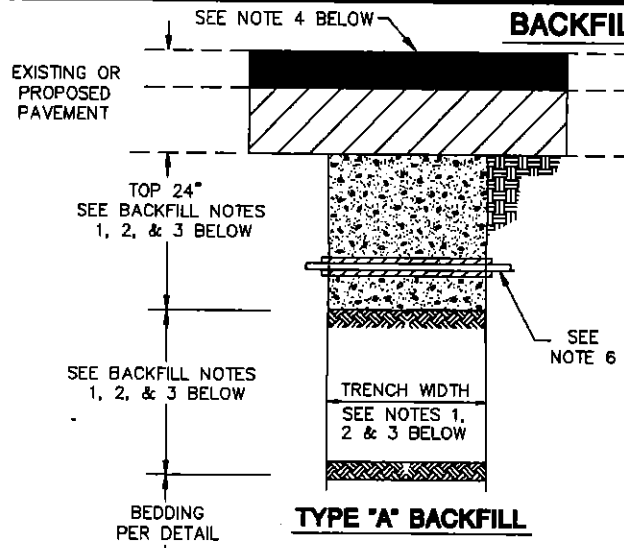
City of Scottsdale
Standard Details

PAVEMENT REPLACEMENT

DETAIL NO.
2200

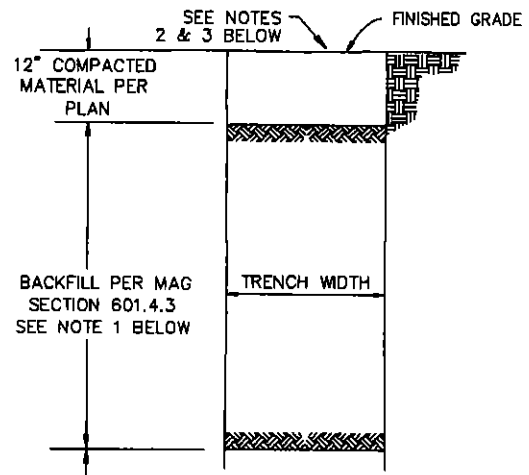
REVISED 4/25/02

BACKFILL DETAILS



TYPE "A" BACKFILL

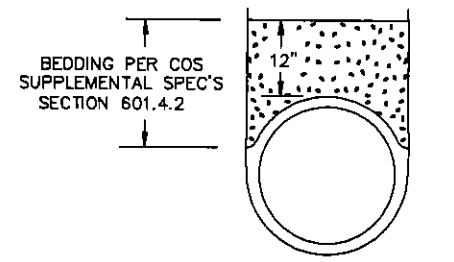
UNDER EXIST. OR PROPOSED PAVEMENT OR EXIST. SURFACE TREATMENT



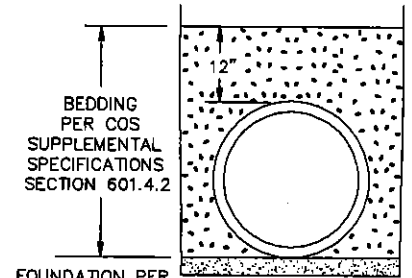
TYPE "B" BACKFILL

UNDER UNPAVED ROADWAY, PARKING LOT AND VACANT LAND

BEDDING DETAILS



**BEDDING DETAIL
CAST-IN-PLACE PIPE**



**BEDDING DETAIL
ALL OTHER PIPE**

- NOTES:**
1. FOR HDPE PIPE - SEE COS SUPPLEMENTAL SPECIFICATIONS SECTION 603.4.2
 2. RECYCLED ASPHALT SHALL NOT BE USED FOR BEDDING OR FOUNDATION MATERIAL.

BACKFILL NOTES

1. TRENCHES 24" IN WIDTH OR LESS - 1/2 SACK C-S-LM, MAG 72B, FULL DEPTH OF BACKFILL BOTTOM OF ABC LAYER IN PAVEMENT STRUCTURE OR 6" BELOW PAVEMENT IN FULL DEPTH PAVEMENT STRUCTURES. CONSTRUCT PAVEMENT STRUCTURE TO MATCH EXISTING AND IN ACCORDANCE WITH COS DETAIL 2200.
2. TRENCHES 24" TO 6' IN WIDTH - 1/2 SACK C-S-LM AS DESCRIBED IN NOTE 1 ABOVE WITHIN THE TOP 24" OF THE TRENCH; MAG 601.4.3 FOR BALANCE OF BACKFILL.
3. TRENCHES OVER 6' IN WIDTH - MAG 601.4.3 FULL DEPTH OF BACKFILL.
4. TREAT ENTIRE DISTURBED SURFACE OF UNPAVED ALLEYS WITH LIGNIN-BASED DUST PALLATIVE, MAG 792, 1:1 DILUTION RATIO, 0.50 GAL/SY APPLICATION RATE.
5. C-S-LM SHALL NOT BE USED FOR WATER OR SEWER PIPE BEDDING. SEE BEDDING DETAIL.
6. EXPOSED COPPER OR POLYETHYLENE WATER PIPES IN SIZES 1" TO 2" SHALL BE WRAPPED WITH 1" WIDE BLACK INSULATION BEFORE PLACING C-S-LM.
7. RECYCLED ASPHALT SHALL NOT BE USED FOR BACKFILL.

BACKFILL NOTES

1. MAG 601.4.3 FULL DEPTH OF BACKFILL
2. ENTIRE DISTURBED EXISTING SURFACE TO BE RESTORED WITH A LIKE MATERIAL
3. TREAT ENTIRE DISTURBED SURFACE WITH LIGNIN-BASED DUST PALLATIVE, MAG 792, 1:1 DILUTION RATIO, 0.50 GAL/SY APPLICATION RATE.
4. RECYCLED ASPHALT SHALL NOT BE USED FOR BACKFILL.

DETAIL NO. **2201** **City of Scottsdale**
Standard Details

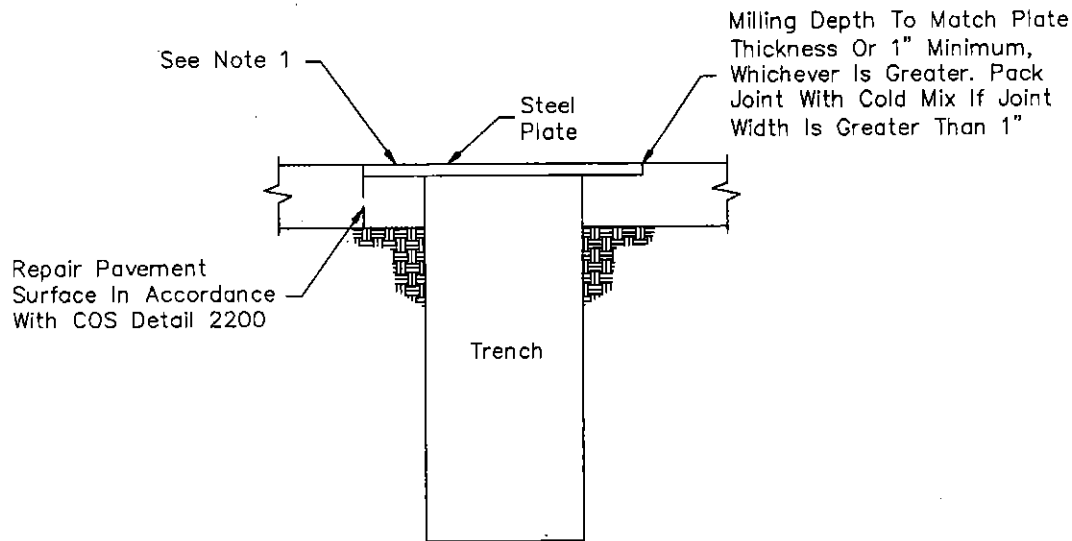
TRENCH BEDDING & BACKFILL

DETAIL NO. **2201**

REVISED: 4/25/02

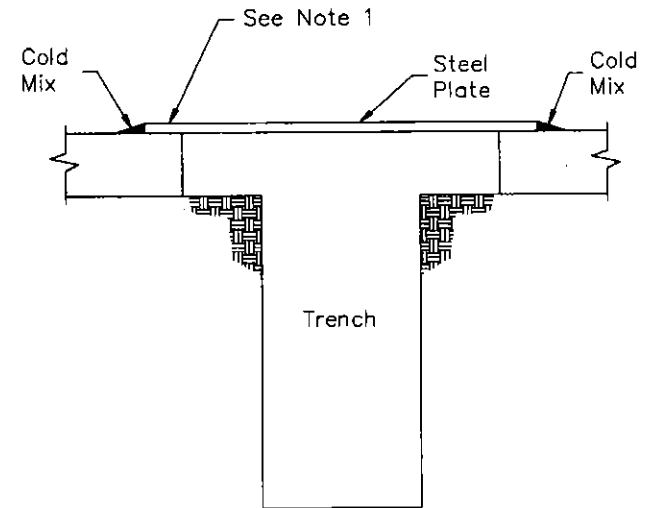
NOTES:

1. The contractor shall provide adequate overlap of plate on asphalt to assure no slippage of plate and no collapsing of trench.
2. "Posted Speed" does not include temporary construction signing.



TYPE 'A' PLATING

CITY POSTED SPEEDS OF
35 MPH AND GREATER
OR BUS & TRUCK ROUTE



TYPE 'B' PLATING

CITY POSTED SPEEDS
UNDER 35 MPH

DETAIL NO.
2202

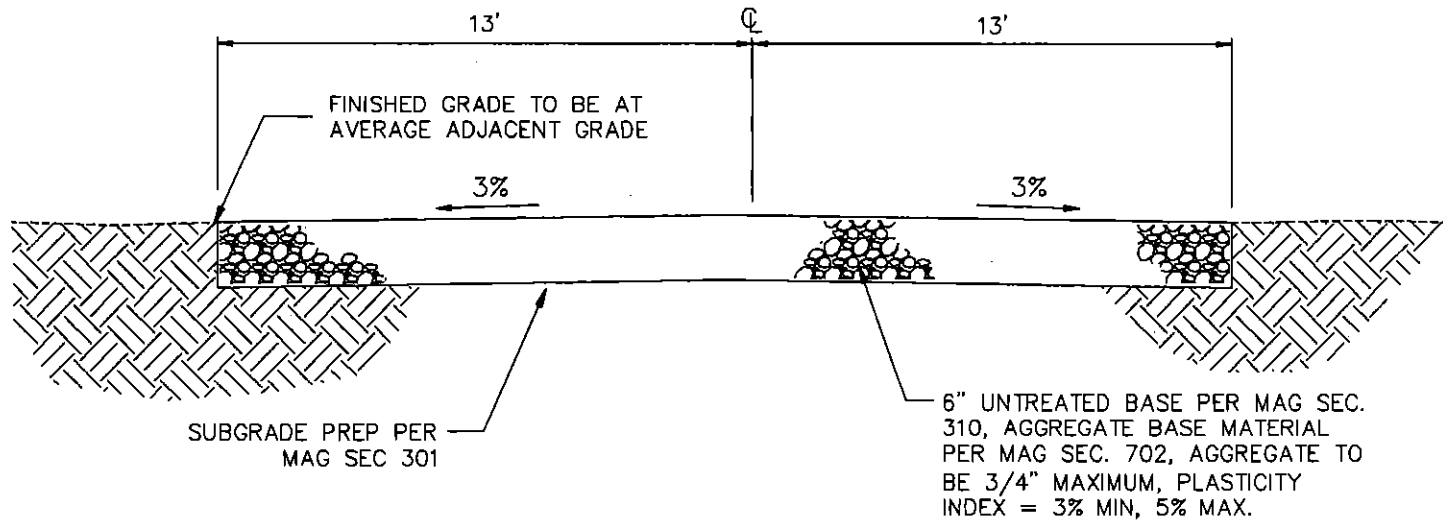
**City of Scottsdale
Standard Details**

APPROVED BY:

TRENCH PLATING

DETAIL NO.
2202

REVISED: 3/28/02

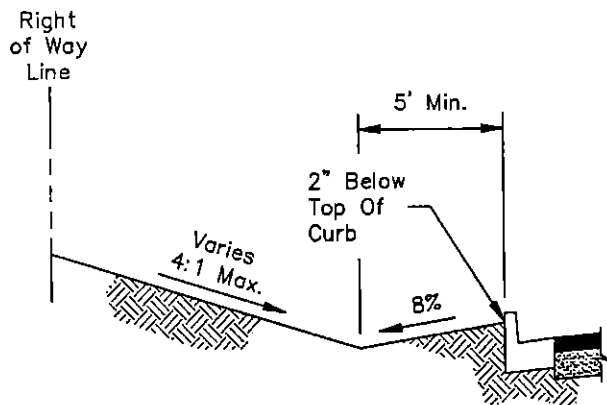


UNPAVED ROAD DETAIL

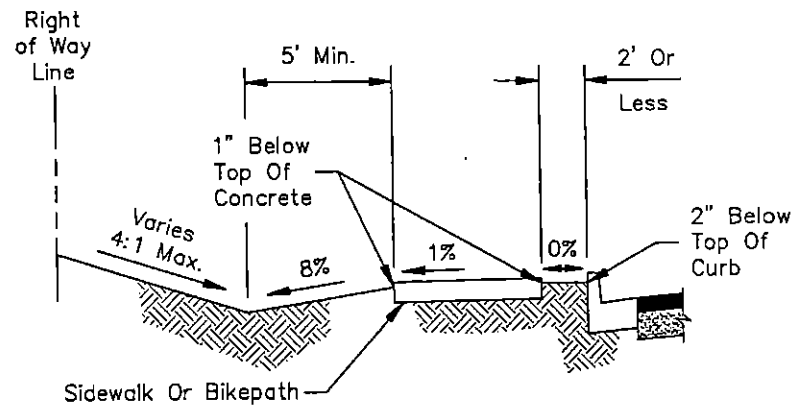
DETAIL NO. **2207** **City of Scottsdale**
Standard Details

RESIDENTIAL UNPAVED ROAD

DETAIL NO. **2207**



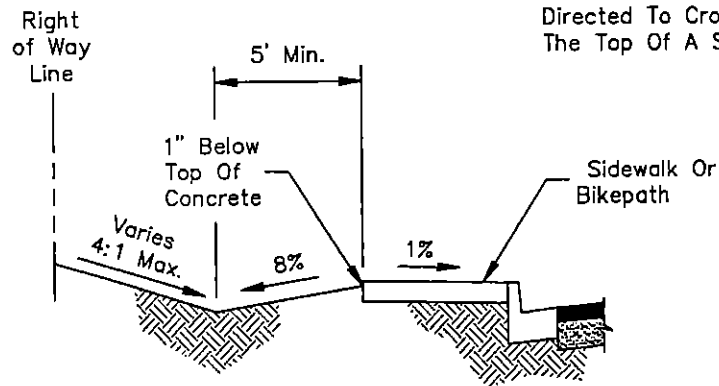
NO SIDEWALK



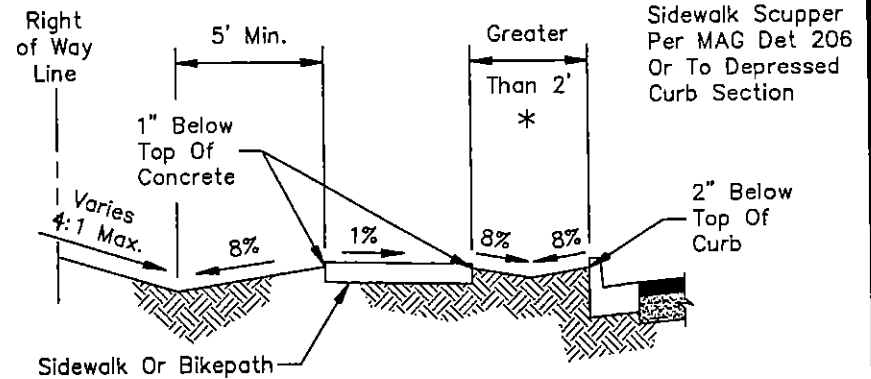
SIDEWALK LESS THAN 2' BEHIND CURB

NOTE:

Runoff Shall Not Be Directed To Cross Over The Top Of A Sidewalk.



SIDEWALK AT BACK OF CURB



SIDEWALK MORE THAN 2' BEHIND CURB

DETAIL NO.
2210

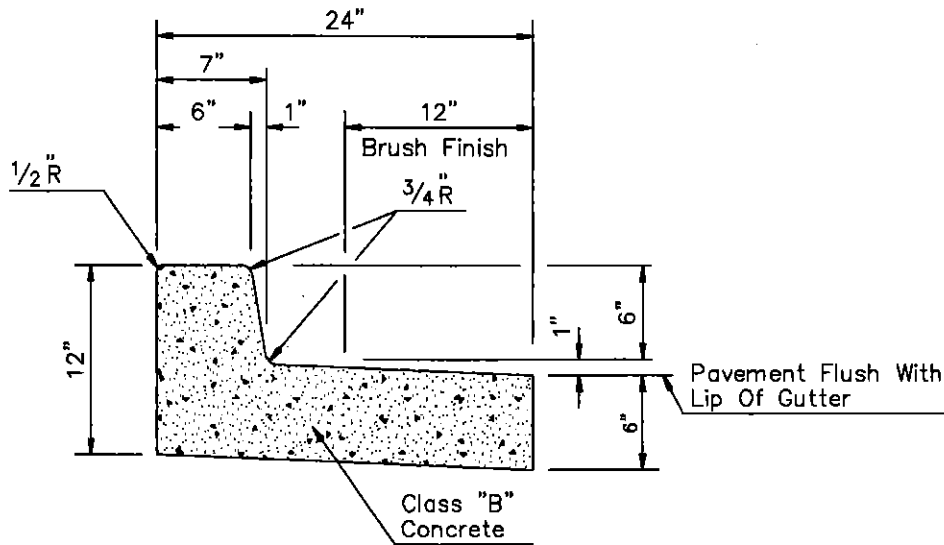
**City of Scottsdale
Standard Details**

APPROVED BY:
Scottsdale Standards & Specifications
Committee

GRADING BEHIND THE CURB

DETAIL NO.
2210

REVISED 4/7/00

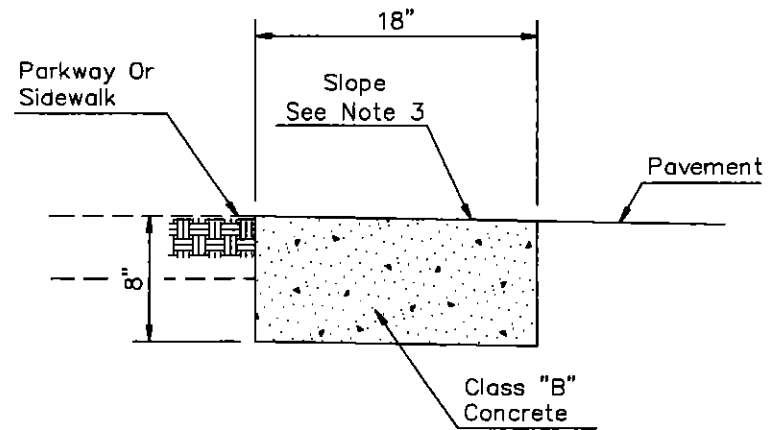


VERTICAL CURB & GUTTER WITH DEPRESSED LIP

TYPE 'A'

NOTES

1. All exposed surfaces to be trowel finished except as shown. See M.A.G. Section 340.
2. Contraction joint spacing 10' maximum.
3. Construct curb and install 1/2" mastic expansion joints, A.S.T.M. D-1751, per M.A.G. Sec. 340 & 729 and COS Sec. 340.
4. Colored concrete shall be colored integrally.

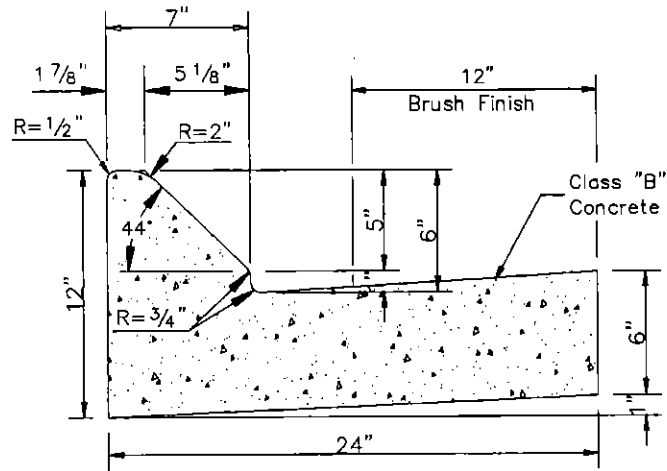


RIBBON CURB TYPE 'B'

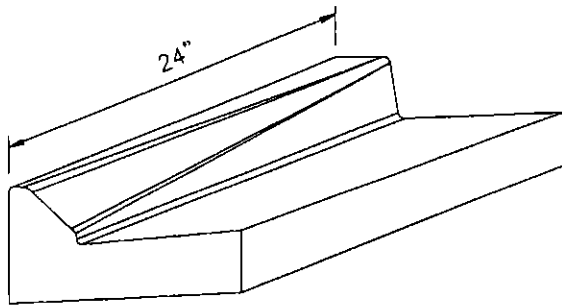
NOTES

1. Construct curb and install 1/2" mastic expansion joints, A.S.T.M. D-1751, per M.A.G. Sec. 340 & 729 and COS Sec 340.
2. Broom finish all surfaces.
3. Ribbon curb may slope towards pavement or parkway. Match cross slope of road unless indicated otherwise on plans.
4. Contraction joint spacing 10' maximum.
5. Colored concrete shall be colored integrally.

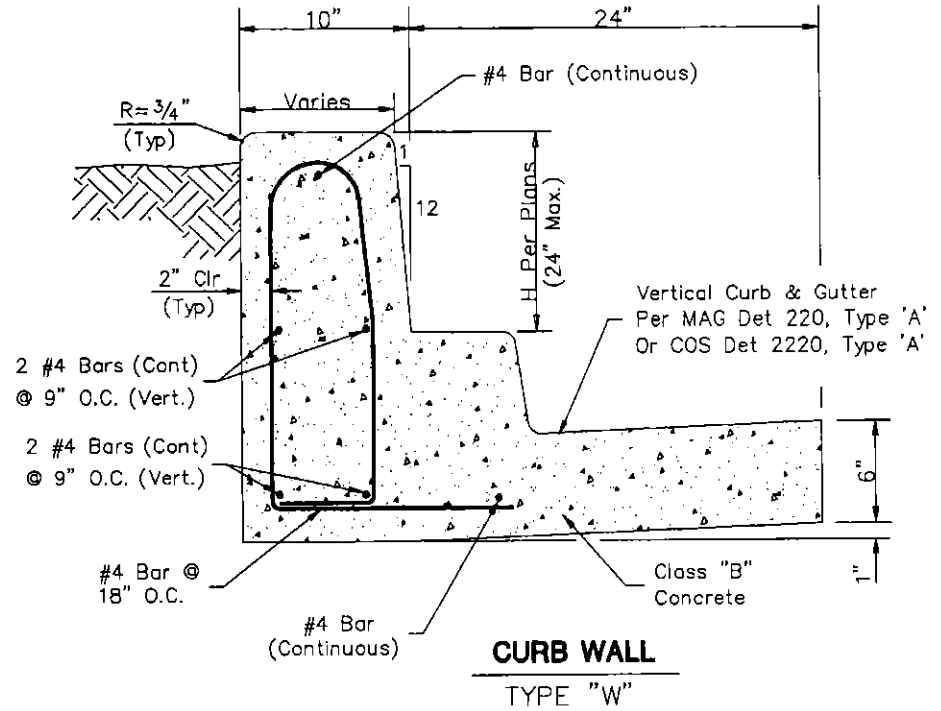
REVISED 3/28/02



MOUNTABLE/MEDIAN CURB & GUTTER
TYPE "M"



MOUNTABLE CURB TO VERTICAL CURB TRANSITION



CURB WALL
TYPE "W"

NOTES

1. All exposed surfaces to be trowel finished except as shown. See M.A.G. Section 340.
2. Contraction joint spacing 10' maximum.
3. Construct curb and install 1/2" mastic expansion joints, A.S.T.M. D-1751, per M.A.G. Sec. 340 & 729 and C.O.S. Sec. 340.
4. Gutter lip may be depressed where indicated on plans and constructed as shown on COS Detail 2220, Type "A".
5. Colored concrete, if called for on the plans, shall be colored integrally.
6. Steel reinforcement Per M.A.G. Section 727.

DETAIL NO.
2221

City of Scottsdale
Standard Details

APPROVED BY:

CURB & GUTTER - TYPES M & W

DETAIL NO.
2221

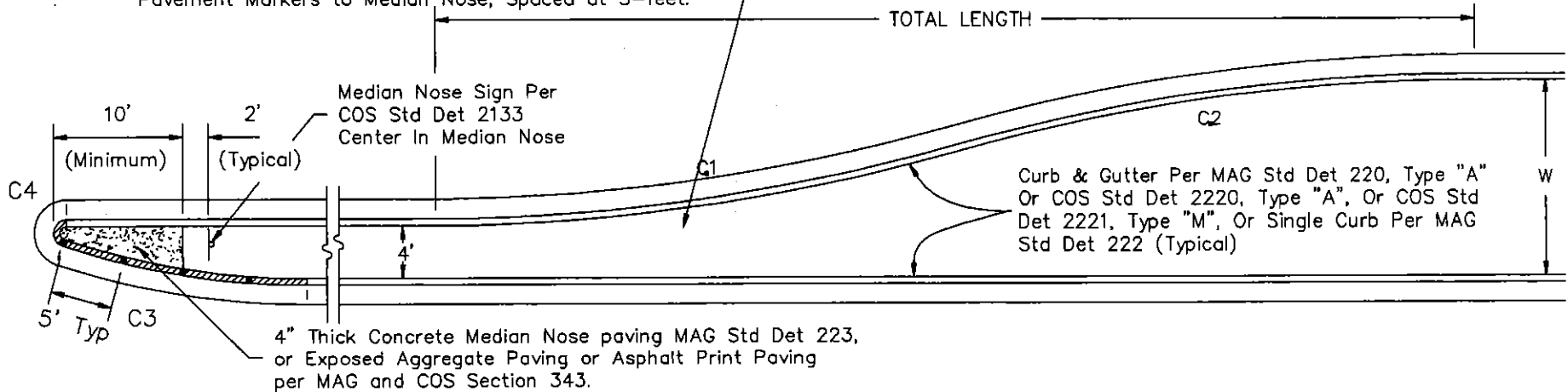
REVISED 3/28/02

MEDIAN NOSE CURVE DATA

CURVE	RADIUS *	LENGTH	TANGENT	CHORD	DELTA
C3	59.5'	19.06'	9.61'	18.97'	18°20'59"
C4	0.50'	1.41'	3.10'	0.99'	161°39'01"

Paint Top And Front Of Curb With ReflectORIZED Yellow Traffic Paint And Add Type "D" Yellow Two Way Reflective Raised Pavement Markers to Median Nose, Spaced at 5-feet.

Note: Extend Median Treatment to a Width of 6 feet or as shown on the plans.



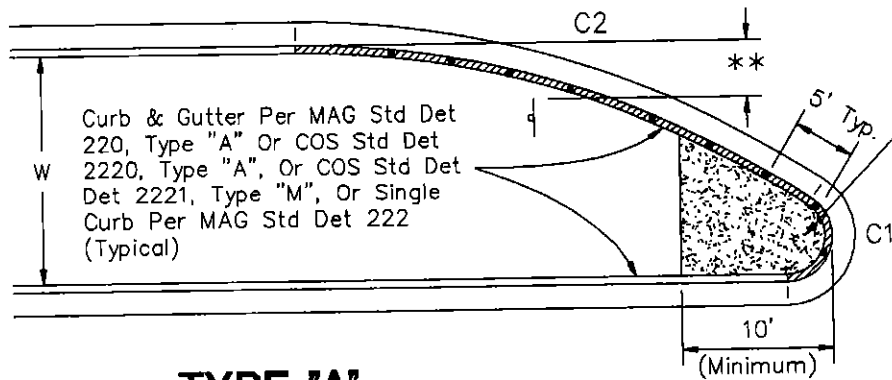
STREET CLASSIFICATION	TYPE A		TYPE B		TYPE C		TYPE D		TYPE E		TYPE F	
	COLLECTOR STREET		MINOR ARTERIAL		MAJOR ARTERIAL		DUAL LEFT TURN LANES		MINOR ARTERIAL		MAJOR ARTERIAL	
TOTAL LENGTH	80.49'		98.89'		114.36'		164.53'		103.23'		153.62'	
MEDIAN WIDTH, W	15'		15'		15'		27'		16'		24'	
CURVE NUMBER	C1	C2	C1	C2	C1	C2	C1	C2	C1	C2	C1	C2
RADIUS *	150.00'	150.00'	150.00'	300.00'	300.00'	300.00'	300.00'	300.00'	150.00'	300.00'	300.00'	300.00'
DELTA	15°33'49"	15°33'49"	12°41'40"	12°41'40"	10°59'17"	10°59'17"	15°54'56"	15°54'56"	13°15'41"	13°15'41"	14°50'06"	14°50'06"
LENGTH	40.75'	40.75'	33.23'	66.47'	57.53'	57.53'	83.33'	83.33'	34.72'	69.44'	77.68'	77.68'
TANGENT	20.50'	20.50'	16.69'	33.37'	28.86'	28.86'	41.94'	41.94'	17.44'	34.87'	39.06'	39.06'
CHORD	40.62'	40.62'	33.17'	66.33'	57.45'	57.45'	83.07'	83.07'	34.64'	69.28'	83.07'	83.07'

* ALL RADII AND DIMENSIONS TO BACK OF CURB

NOTE: Curve Data Shown Is For Streets On Linear Alignments Only.

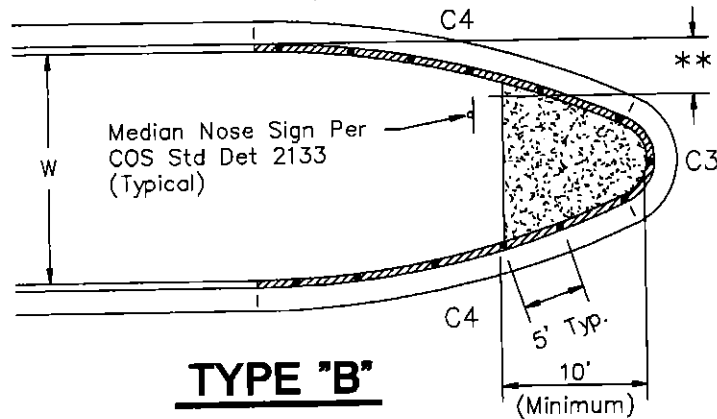
DETAIL NO. 2225	City of Scottsdale Standard Details	MEDIAN NOSE & REVERSE CURVE DETAILS	DETAIL NO. 2225
---------------------------	---	--	---------------------------

REVISED 3/28/02



TYPE "A"

Paint Top And Front Of Curb With ReflectORIZED Yellow Traffic Paint And Add Type "D" Yellow Reflective Raised Pavement Markers to Median Nose, Spaced at 5-feet.



TYPE "B"

4" Thick Concrete Median Nose Paving
MAG Std Det 223, or Exposed Aggregate Paving or Asphalt Print Paving per MAG and COS Section 343 (Typical)

* ALL RADII AND DIMENSIONS TO BACK OF CURB

** OFFSET TO BE NO MORE THAN 3' FROM FACE OF CURB AT TANGENT TO EDGE OF SIGN

CURVE DATA - W=15'					
CURVE	RADIUS*	LENGTH	TANGENT	CHORD	DELTA
C1	2.50'	6.35'	8.06'	4.78'	145°32'39"
C2	59.50'	35.78'	18.45'	35.24'	34°27'21"
C3	2.50'	5.74'	5.57'	4.56'	131°38'42"
C4	59.50'	25.11'	12.74'	24.92'	24°10'39"

CURVE DATA - W=16'					
CURVE	RADIUS*	LENGTH	TANGENT	CHORD	DELTA
C1	2.50'	6.27'	7.65'	4.75'	143°48'20"
C2	59.50'	37.59'	19.44'	36.97'	36°11'40"
C3	2.50'	5.64'	5.27'	4.52'	129°14'46"
C4	59.50'	26.35'	13.40'	26.14'	25°22'37"

CURVE DATA - W=24'					
CURVE	RADIUS*	LENGTH	TANGENT	CHORD	DELTA
C1	2.50'	5.75'	5.59'	4.56'	131°48'37"
C2	59.50'	50.04'	26.61'	48.58'	48°11'23"
C3	2.50'	4.93'	3.77'	4.17'	112°53'08"
C4	59.50'	34.85'	17.94'	34.35'	33°33'26"

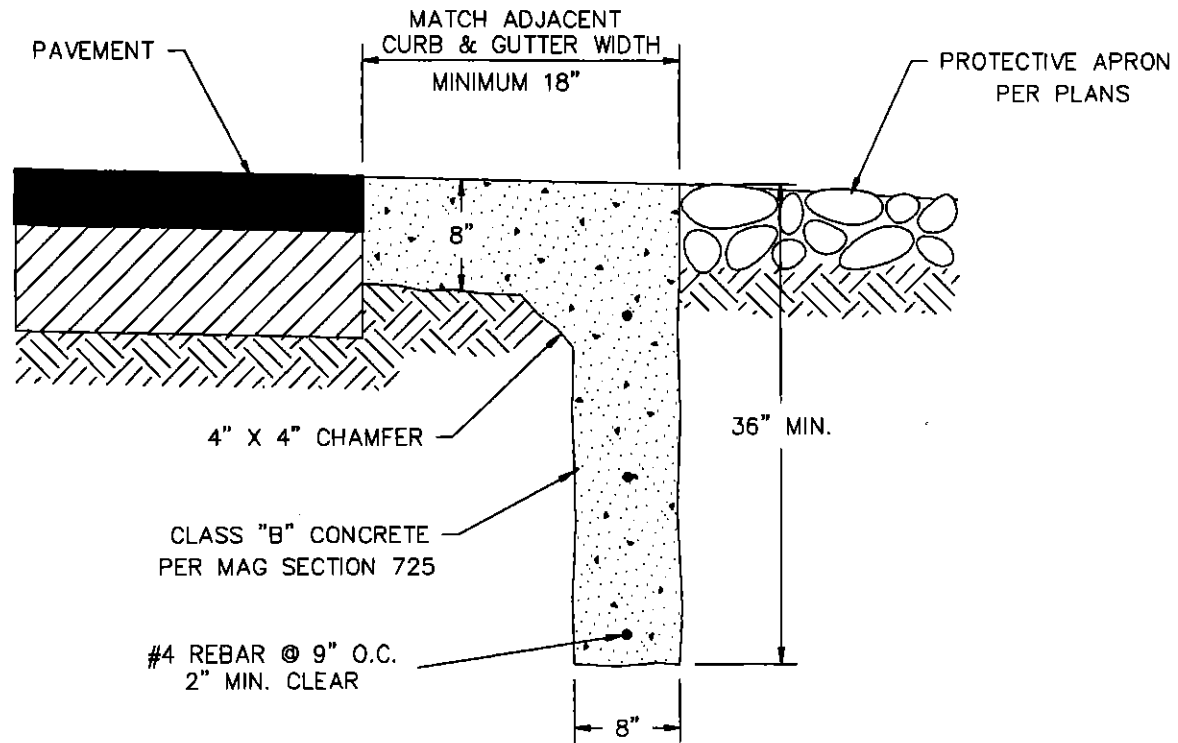
DETAIL NO.
2226

City of Scottsdale
Standard Details

MEDIAN NOSE DETAILS

DETAIL NO.
2226

REVISED 2/22/99



NOTE: Form The Top 8"
Of Cut-Off Wall

DETAIL NO.
2228

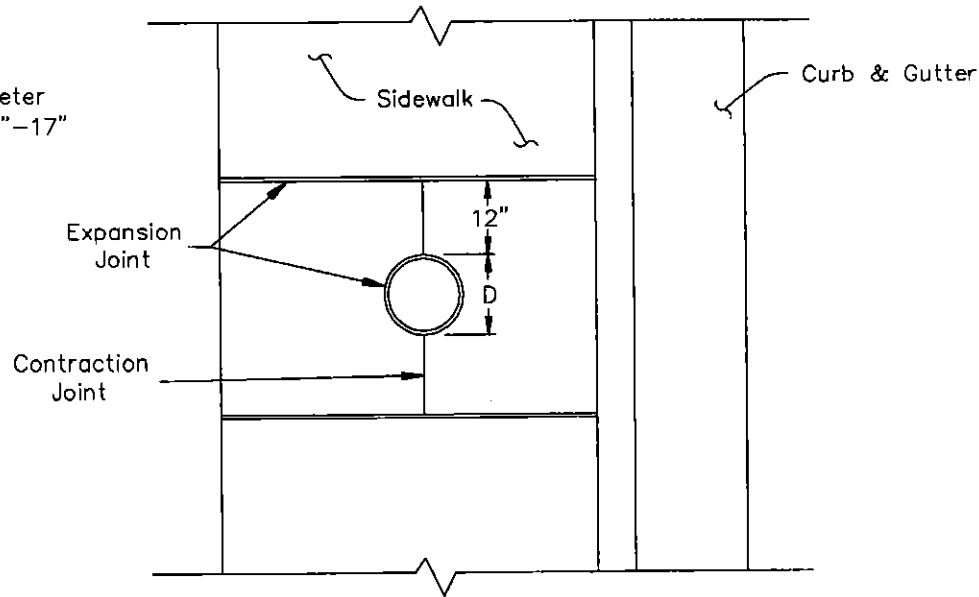
**City of Scottsdale
Standard Details**

APPROVED BY:
Scottsdale Standards &
Specifications Committee

CUT-OFF WALL

DETAIL NO.
2228

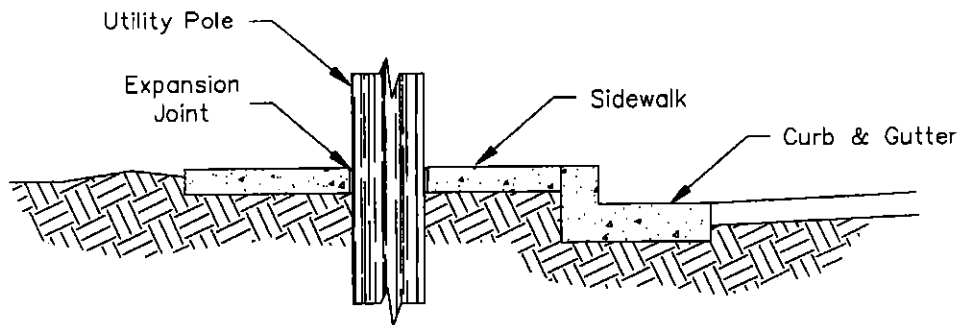
D = Pole Diameter
Range: 12"-17"



NOTES

Install expansion joint around wood pole.

Install expansion joint at sidewalk 1/4" lower than sidewalk



DETAIL NO.
2230

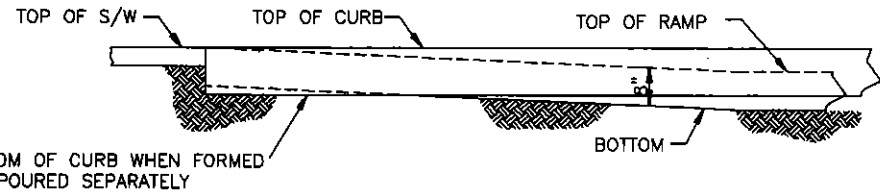
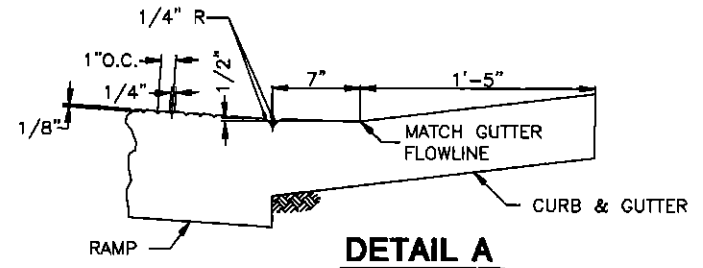
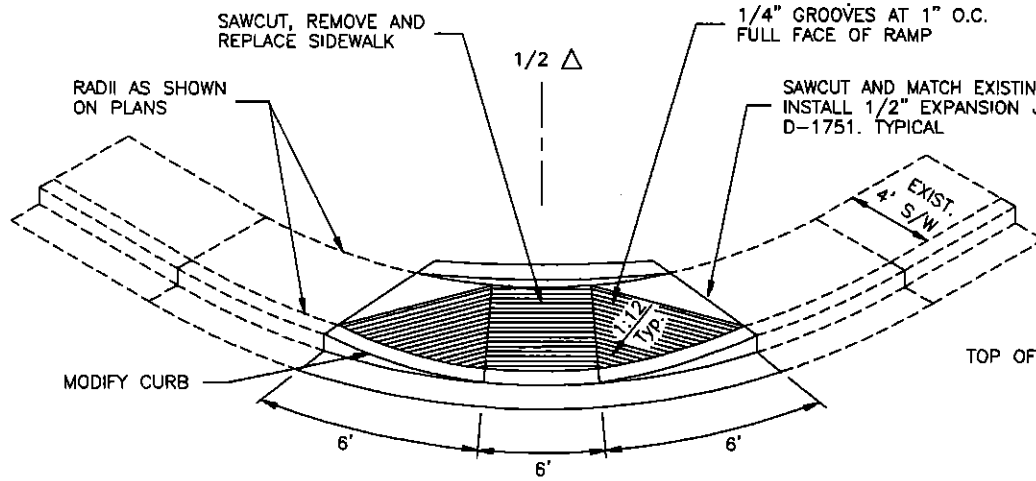
City of Scottsdale
Standard Details

APPROVED BY:
Scottsdale Standards &
Specifications Committee

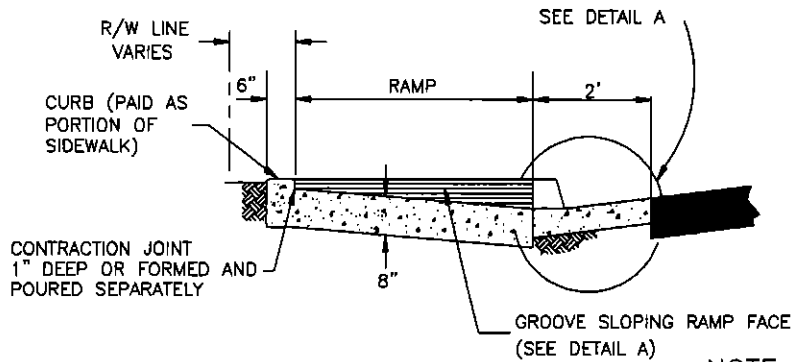
SIDEWALK CUTOUT FOR UTILITY POLES

DETAIL NO.
2230

REVISED 3/28/02



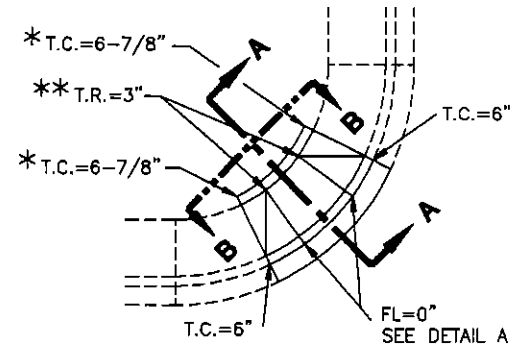
SECTION B-B



SECTION A-A

* IF EXISTING CURB IS OTHER THAN 6", ADJUST OTHER HEIGHTS ACCORDINGLY

** T.R. IS ALWAYS 3"



CONTROL ELEVATIONS

NOTE:

- CONTROL ELEVATIONS SHOWN ARE IN RELATION TO THE GUTTER AND ARE LOCATED RADIALY. GUTTER ELEVATION=0
- CURB AND GUTTER TO BE POURED MONOLITHICALLY WITH SIDEWALK AND RAMP.

DETAIL NO.
2232

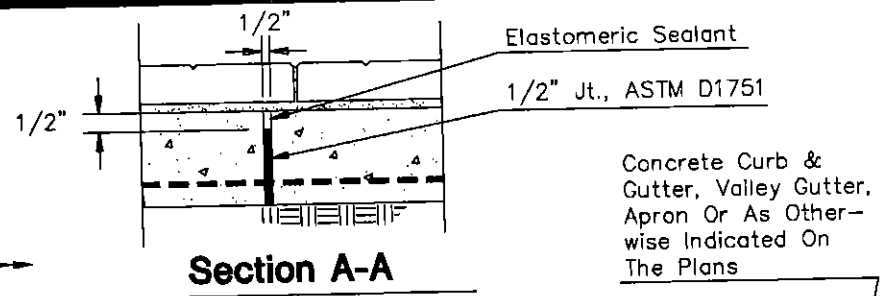
City of Scottsdale
Standard Details

SIDEWALK RAMP RETROFIT

DETAIL NO.
2232

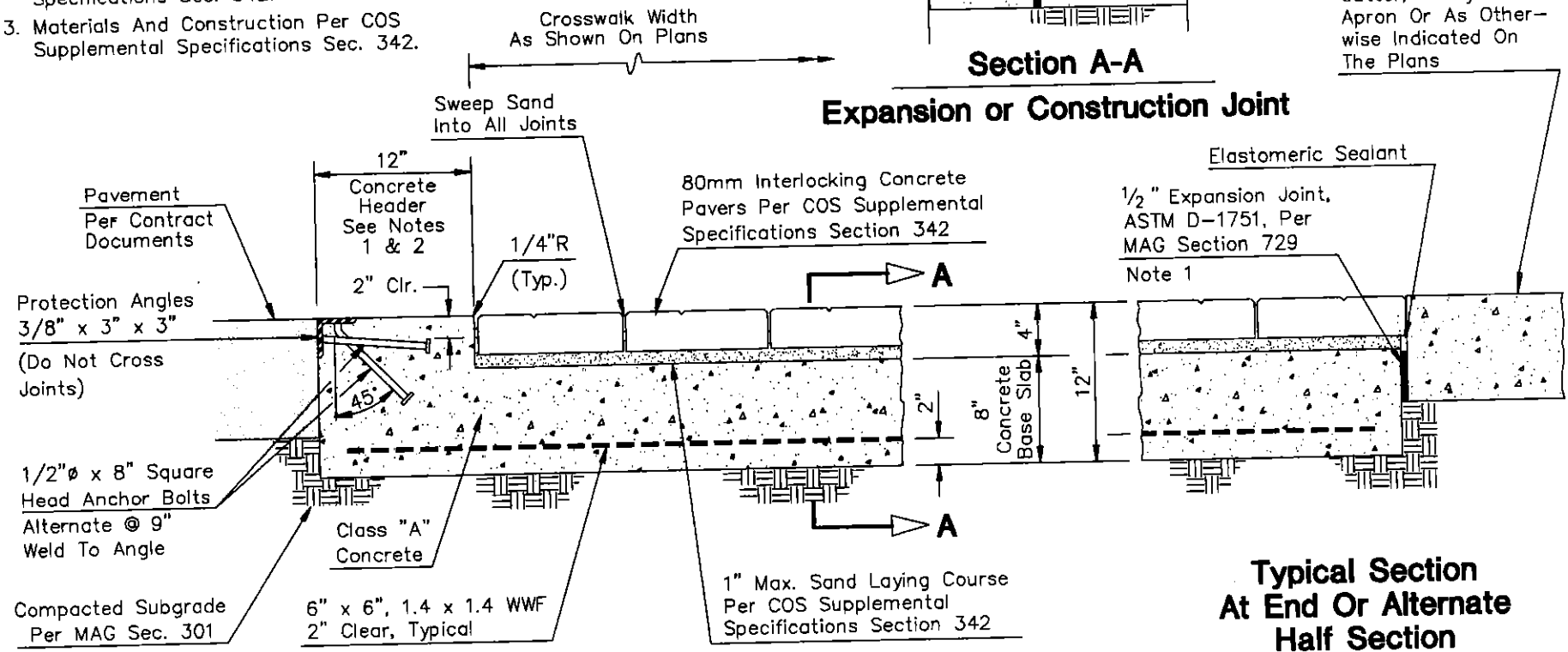
NOTES:

1. 1/2" Expansion Joint, ASTM D-1751 Per MAG Sec. 729, and Elastomeric Sealant Per COS Sec. 342.3.4.
2. Contraction Joints Per COS Supplemental Specifications Sec. 342.
3. Materials And Construction Per COS Supplemental Specifications Sec. 342.



Section A-A
Expansion or Construction Joint

REVISED 2/27/01



Typical Half Section
(Against Pavement)

Typical Section
At End Or Alternate
Half Section
(Against Concrete)

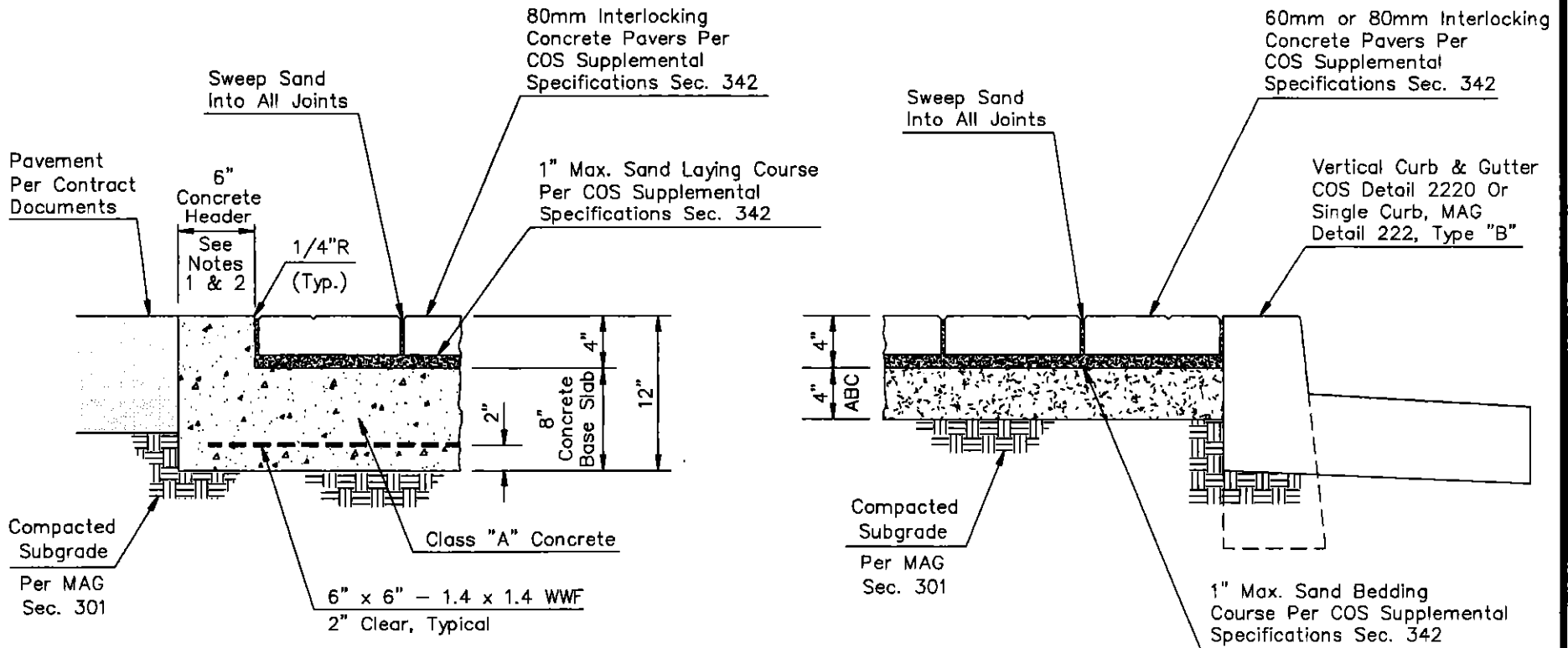
DETAIL NO.
2238

City of Scottsdale
Standard Details

CONCRETE PAVER CROSSWALK

DETAIL NO.
2238

REVISED 2/26/01



Type 'B'
Flush Median

Type 'A'
Raised Median

NOTES:

1. 1/2" Expansion Joint, ASTM D-1751 Per MAG Sec. 729, Every 50'.
2. Contraction Joints Per COS Supplemental Specifications Sec. 342, Every 10'.
3. Materials And Construction Per COS Supplemental Specifications Sec. 342.

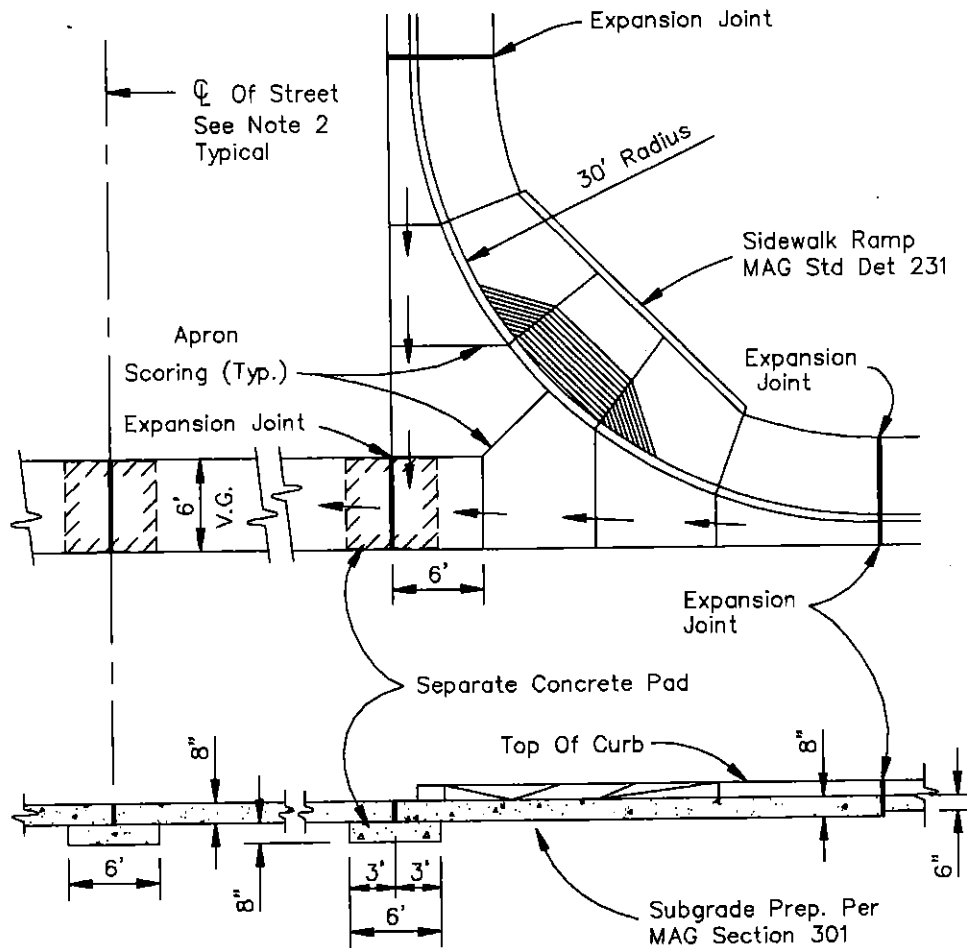
DETAIL NO.
2239

City of Scottsdale
Standard Details

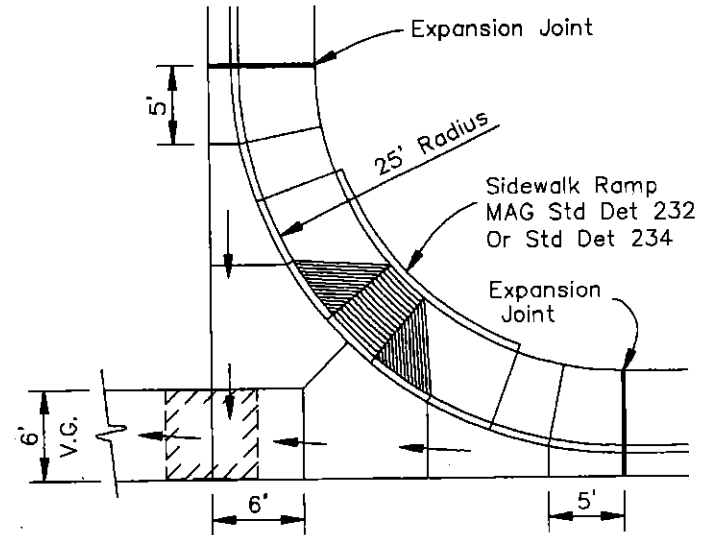
MEDIAN CONCRETE PAVERS

DETAIL NO.
2239

REVISED 2/27/01

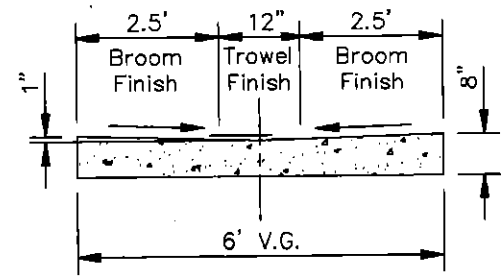


SECTION THRU APRON FLOW-LINE



NOTES

1. All Concrete To Be Class "A", MAG Section 725.
2. Use A Construction Joint Or Contraction Joint At The ϕ Of Street. A Separate Concrete Pad Is Required With A Construction Joint.
3. 1/2" Expansion Joint, ASTM D-1751 Per MAG Section 729.
4. Return Curb and Sidewalk to be Monolithically Poured.



SECTION THRU VALLEY GUTTER

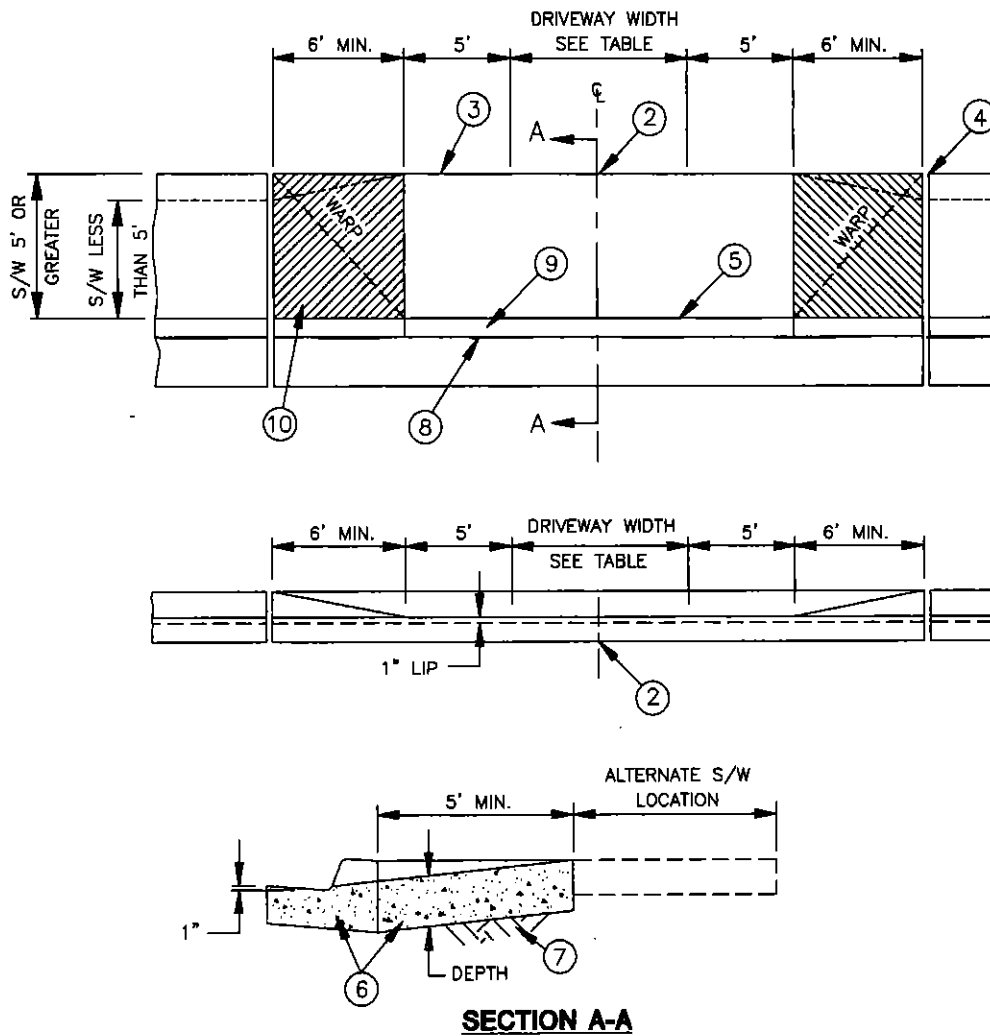
DETAIL NO.
2240

City of Scottsdale
Standard Details

6' VALLEY GUTTER & APRON

DETAIL NO.
2240

REVISED 3/28/02



NOTES

1. DEPRESSED CURB SHALL BE PAID FOR AT THE UNIT PRICE BID FOR THE TYPE OF CURB USED AT THAT LOCATION.
2. CONTRACTION JOINT ON DRIVEWAY CENTERLINE.
3. BACK OF DRIVEWAY ENTRANCE OR FUTURE SIDEWALK.
4. MASTIC EXPANSION JOINT THROUGH CURB AND GUTTER. EXPANSION JOINT FILLER SHALL BE 1/2" BITUMINOUS TYPE PREFORMED EXPANSION JOINT FILLER A.S.T.M. D-1751.
5. BACK OF CURB - CONSTRUCTION JOINT OR SCORE MARK.
6. CLASS 'B' CONCRETE, MAG SECTION 725.
7. SUBGRADE PREPARATION, MAG SECTION 301.
8. FLOW LINE OF GUTTER.
9. DEPRESSED CURB.
10. 1/4" GROOVES AT 1" ON CENTER FULL WIDTH OF 6" WARP SECTION, EACH SIDE OF DRIVEWAY. SEE DETAIL A, COS DETAIL 2232.

COMMERCIAL & INDUSTRIAL				
DRIVEWAY WIDTH	MIN.	MAX.	CLASS	DEPTH
COMMERCIAL ZONING	+ 16'	40'	B	8"
INDUSTRIAL ZONING	+ 16'	40'	B	8"
+ 24' MIN. FOR TWO WAY TRAFFIC				
RESIDENTIAL				
DRIVEWAY WIDTH	MIN.	MAX.	CLASS	DEPTH
MAJOR STREET	16'	30'	B	8"
COLLECTOR STREET	*12'	30'	B	8"
LOCAL STREET	12'	30'	B	8"
* 16' DESIRABLE				

DETAIL NO.
2250

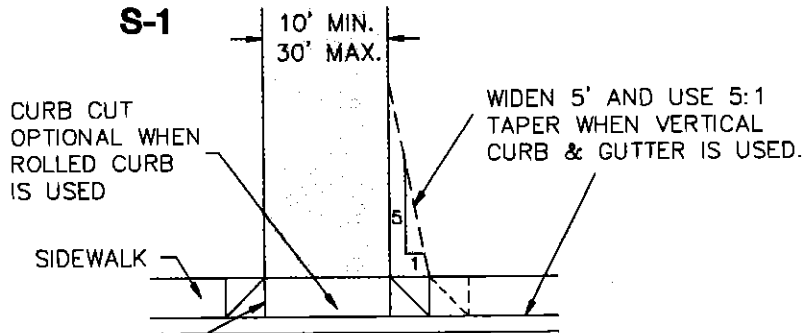
City of Scottsdale
Standard Details

DRIVEWAY ENTRANCES

DETAIL NO.
2250

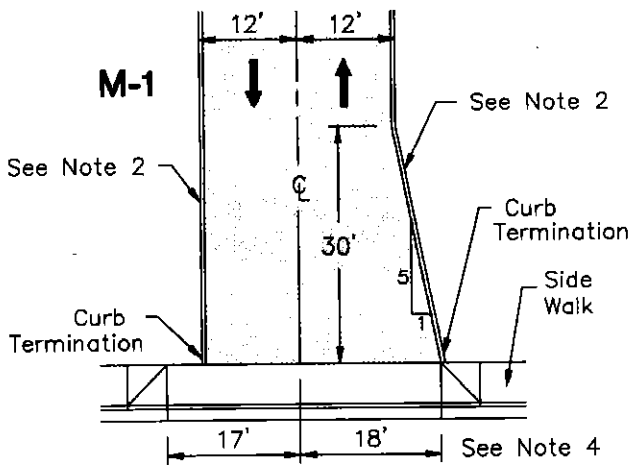
REVISED 4/7/00

S-1



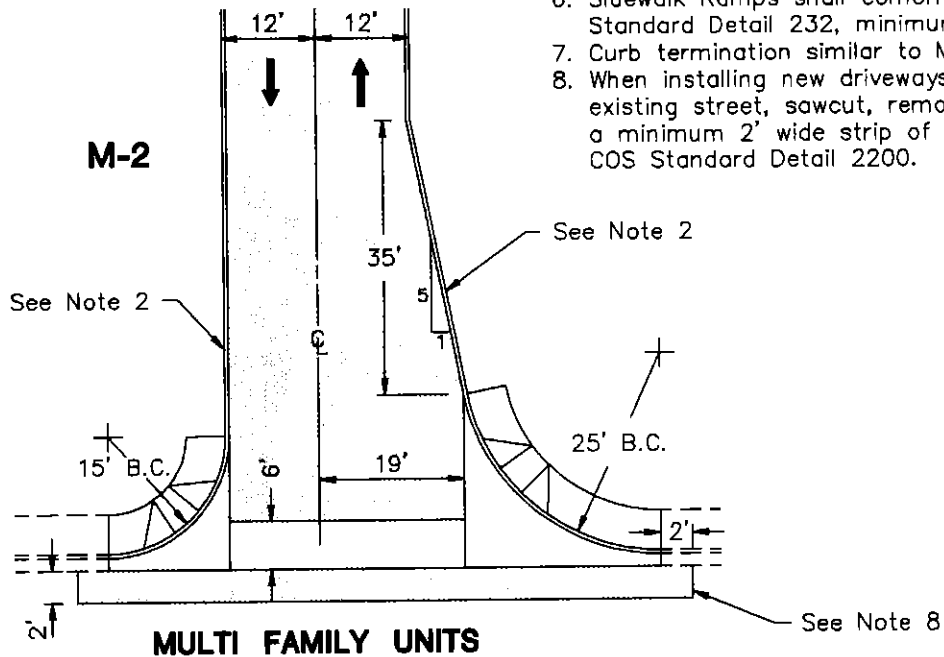
See Note 4 **SINGLE FAMILY UNIT**

M-1



MULTI FAMILY UNITS

M-2



MULTI FAMILY UNITS

CONSTRUCTION NOTES

1. Sidewalk shall conform to MAG Standard Detail 230 and C.O.S. Sec. 340.
2. Curb as called for on plans.
3. Curb & Gutter shall conform to MAG Standard Detail 220. Single Curb shall conform to MAG Standard Detail 222.
4. Driveway Entrances shall conform to COS Standard Detail 2250. Driveways shall be 2-1/2" A.C. R-19 on 6" A.B.C. unless otherwise noted. See plans for driveway limits.
5. Valley Gutter shall conform to COS Standard Detail 2240.
6. Sidewalk Ramps shall conform to MAG Standard Detail 232, minimum 8" thick.
7. Curb termination similar to MAG Std. Det 222.
8. When installing new driveways along an existing street, sawcut, remove & replace a minimum 2' wide strip of A.C. pavement per COS Standard Detail 2200.

DETAIL NO.
2255

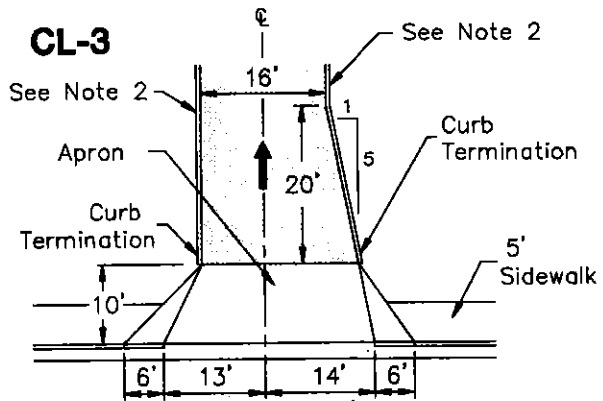
**City of Scottsdale
Standard Details**

RESIDENTIAL DRIVEWAYS

DETAIL NO.
2255

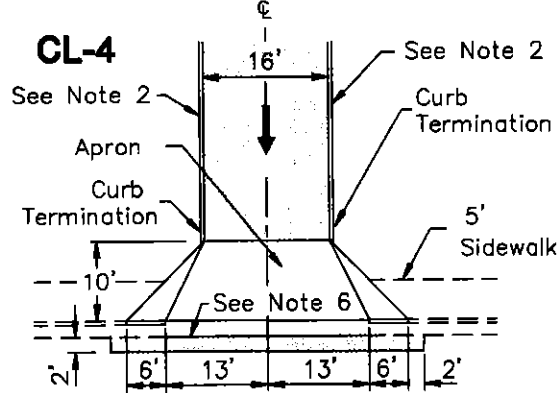
REVISED 4/7/00

CL-3



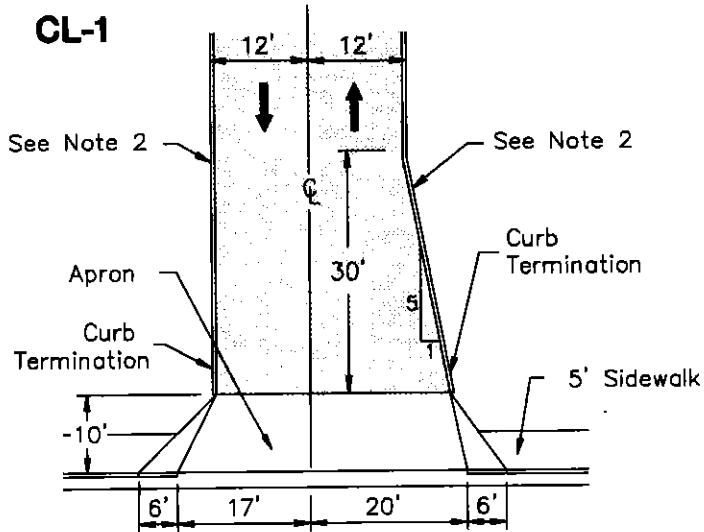
ONE WAY INGRESS

CL-4



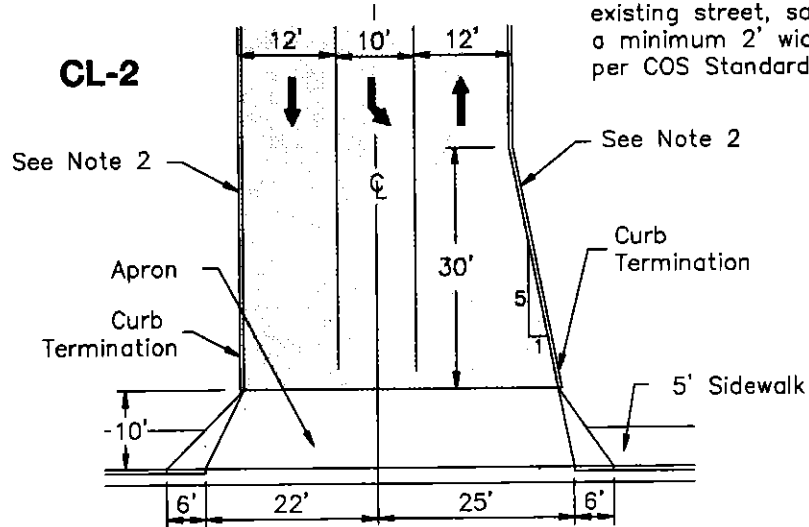
ONE WAY EGRESS

CL-1



TWO WAY

CL-2



TWO WAY WITH TWO EGRESS LANES

CONSTRUCTION NOTES

1. Sidewalk shall conform to MAG Standard Detail 230 and C.O.S. Sec. 340.
2. Curb as called for on plans.
3. Curb & Gutter shall conform to MAG Standard Detail 220. Single Curb shall conform to MAG Standard Detail 222.
4. Driveway Entrances shall conform to COS Standard Detail 2250 except for modifications as noted. Driveways shall be 2-1/2" A.C. A-19 on 6" A.B.C. unless otherwise noted. See plans for driveway limits.
5. Curb termination similar to MAG Std. Det. 222.
6. When installing new driveways along an existing street, sawcut, remove & replace a minimum 2' wide strip of A.C. pavement per COS Standard Detail 2200.

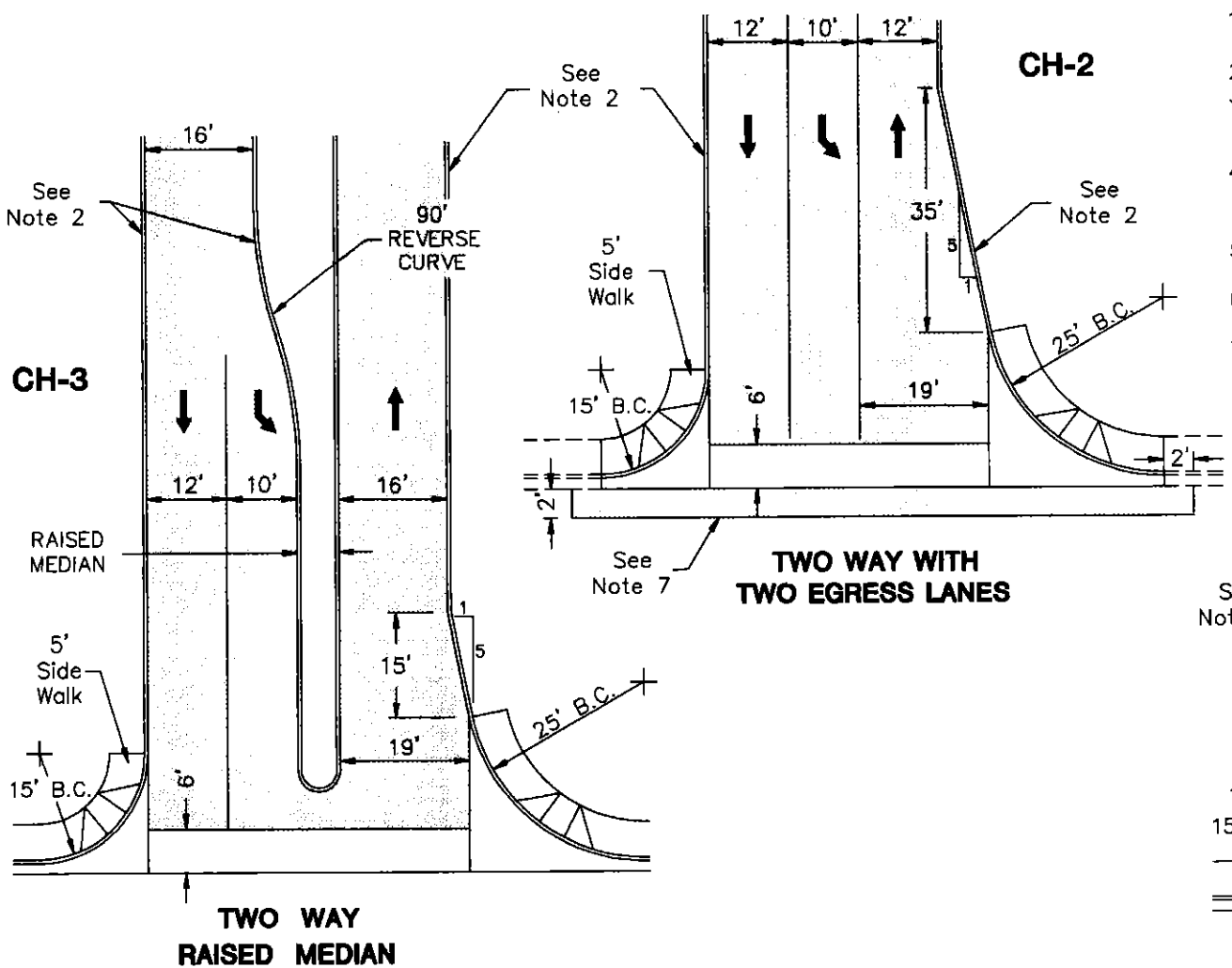
DETAIL NO.
2256

City of Scottsdale
Standard Details

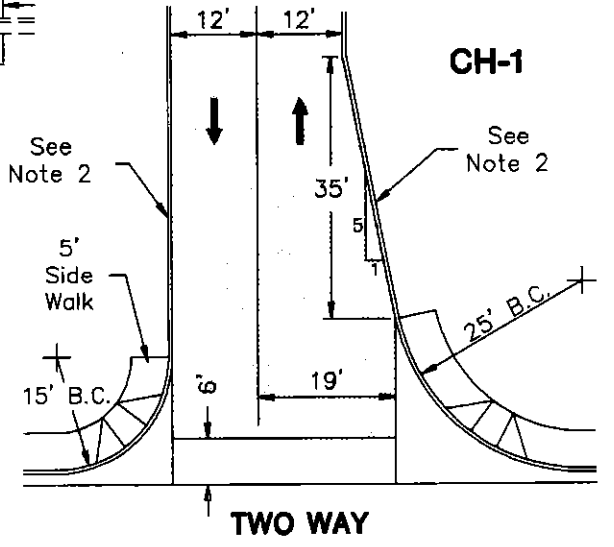
COMMERCIAL/INDUSTRIAL DRIVEWAYS-TYPE CL

DETAIL NO.
2256

REVISED 4/7/00



CH-2



CONSTRUCTION NOTES

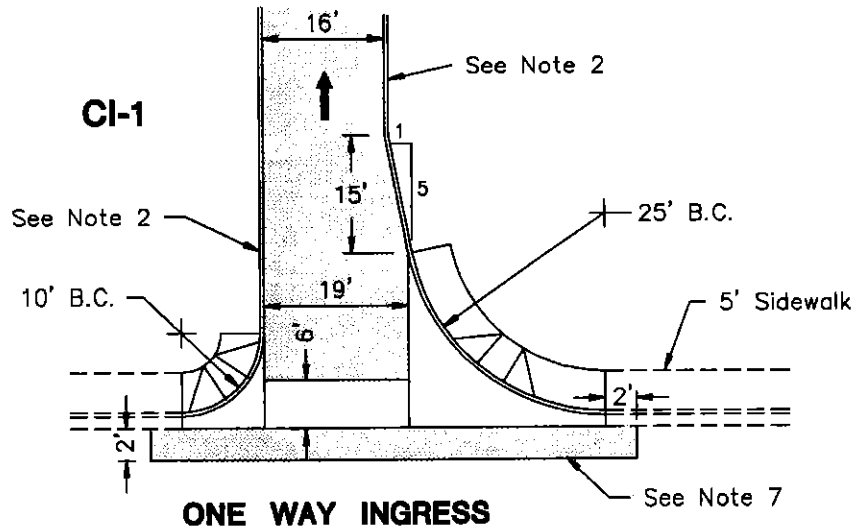
1. Sidewalk shall conform to MAG Standard Standard Detail 230 and C.O.S. Sec. 340.
2. Curb as called for on plans.
3. Curb & Gutter shall conform to MAG Standard Detail 220. Single Curb shall conform to MAG Standard Detail 222.
4. Driveways shall be 2-1/2" A.C. A-19 on 6" A.B.C. unless otherwise noted. See plans for driveway limits.
5. Valley Gutter shall conform to COS Standard Detail 2240.
6. Sidewalk Ramps shall conform to MAG Standard Detail 232, Minimum 8" Thick.
7. When installing new driveways along an existing street, sawcut, remove & replace a minimum 2' wide strip of A.C. pavement per COS Standard Detail 2200.

DETAIL NO. **2257** City of Scottsdale
Standard Details

COMMERCIAL/INDUSTRIAL DRIVEWAYS-TYPE CH

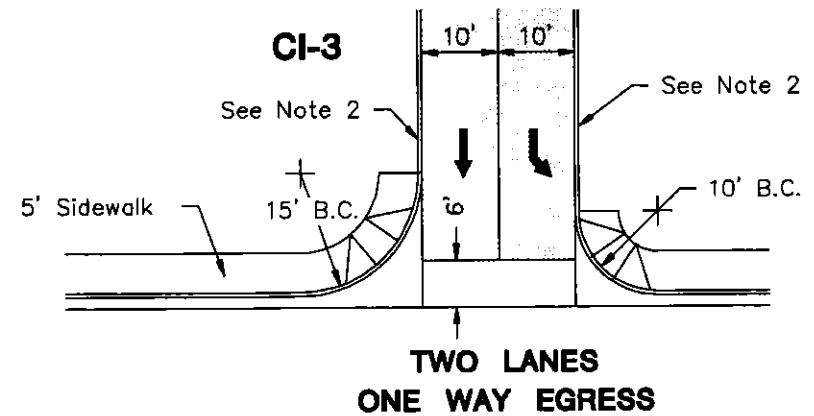
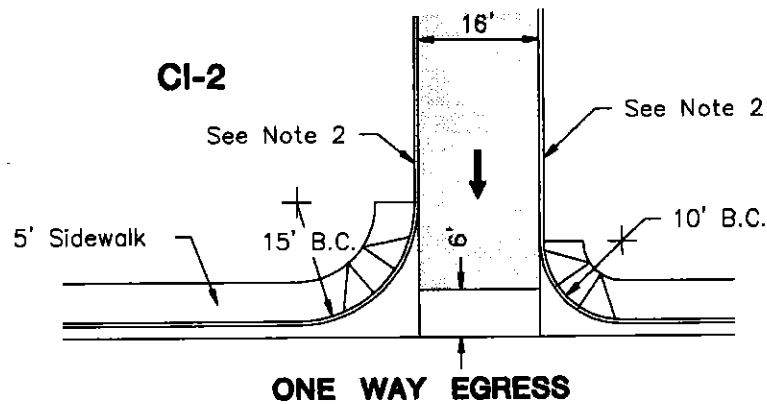
DETAIL NO. **2257**

REVISED 4/7/00



CONSTRUCTION NOTES

1. Sidewalk shall conform to MAG Standard Standard Detail 230 and C.O.S. Sec. 340.
2. Curb as called for on plans.
3. Curb & Gutter shall conform to MAG Standard Detail 220. Single Curb shall conform to MAG Standard Detail 222.
4. Driveways shall be 2-1/2" A.C. A-19 on 6" A.B.C. unless otherwise noted. See plans for driveway limits.
5. Valley Gutter shall conform to COS Standard Detail 2240.
6. Sidewalk Ramps shall conform to MAG Standard Detail 232, Minimum 8" Thick.
7. When installing new driveways along an existing street, sawcut, remove & replace a minimum 2' wide strip of A.C. pavement per COS Standard Detail 2200.



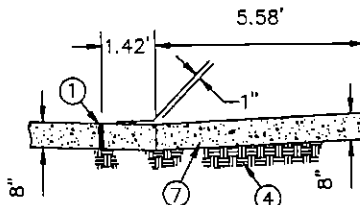
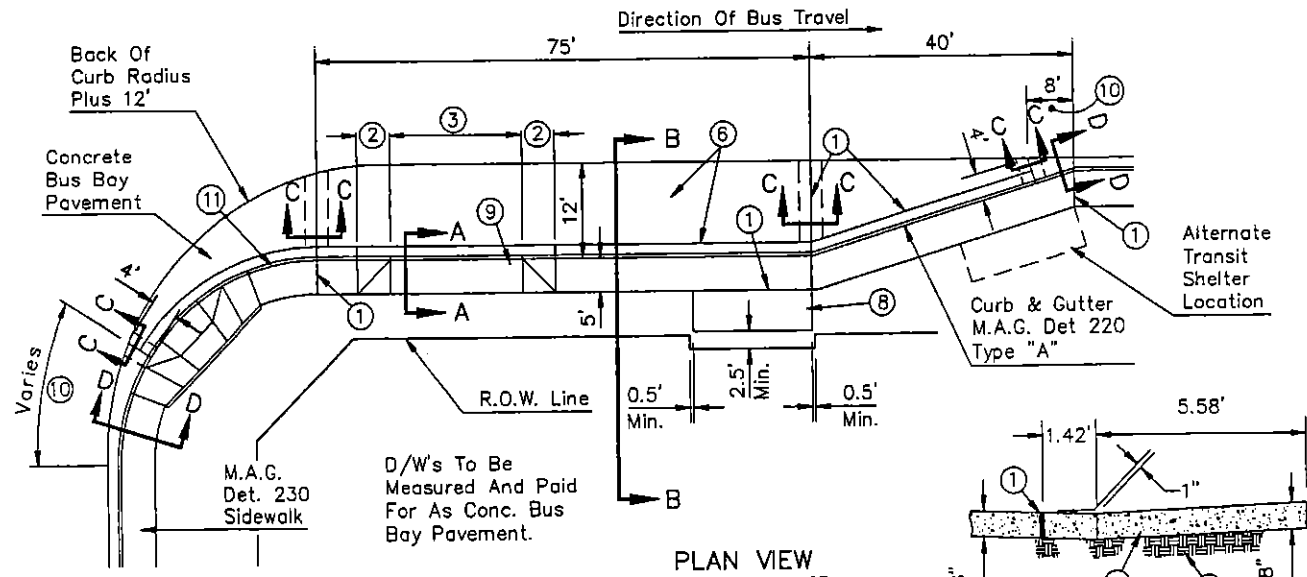
DETAIL NO.
2258

City of Scottsdale
Standard Details

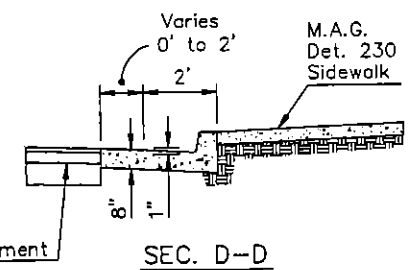
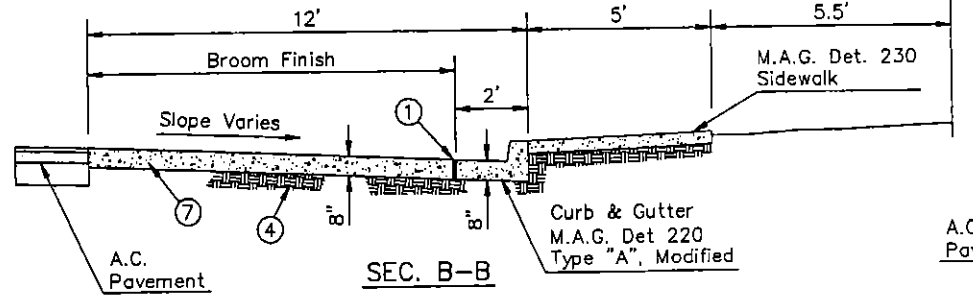
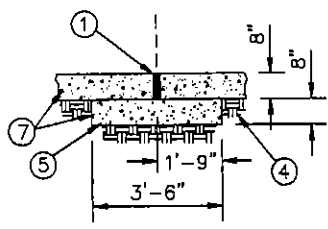
COMMERCIAL/INDUSTRIAL DRIVEWAYS-TYPE CI

DETAIL NO.
2258

REVISED 1/4/93



- ① 1/2" BITUMINOUS PREFORMED EXPANSION JOINT FILLER, A.S.T.M. D-1751 PER MAG SECTION 729.
- ② TRANSITION CURB FACE FROM 6" TO 0" HEIGHT IN 5'
- ③ D/W WIDTHS & LOCATIONS VARY, SEE PLANS. MAINTAIN 10' MIN. CLEARANCE BETWEEN DRIVEWAYS AND SHELTER PAD. WHEN DRIVEWAY WIDTH EXCEEDS 22', PROVIDE A CONTRACTION JOINT ON D/W CL.
- ④ SUBGRADE PREPARATION PER MAG SECTION 301.
- ⑤ CONCRETE PAD TO BE POURED SEPARATELY FROM CONCRETE BUS BAY PAVEMENT.
- ⑥ CONTRACTION JOINTS IN THE BUS BAY PAVEMENT SHALL MATCH THOSE IN THE CURB.
- ⑦ CONCRETE SHALL BE CLASS "A" PER MAG SECTION 725
- ⑧ TRANSIT SHELTER PAD, PER COS STD DETAIL 2269.
- ⑨ NEW CONCRETE D/W TO BE POURED WITH BUS BAY PAVEMENT.
- ⑩ CURB & GUTTER TO BUS BAY PAVEMENT TRANSITION.
- ⑪ CURB RADIUS AS SHOWN ON THE PLANS



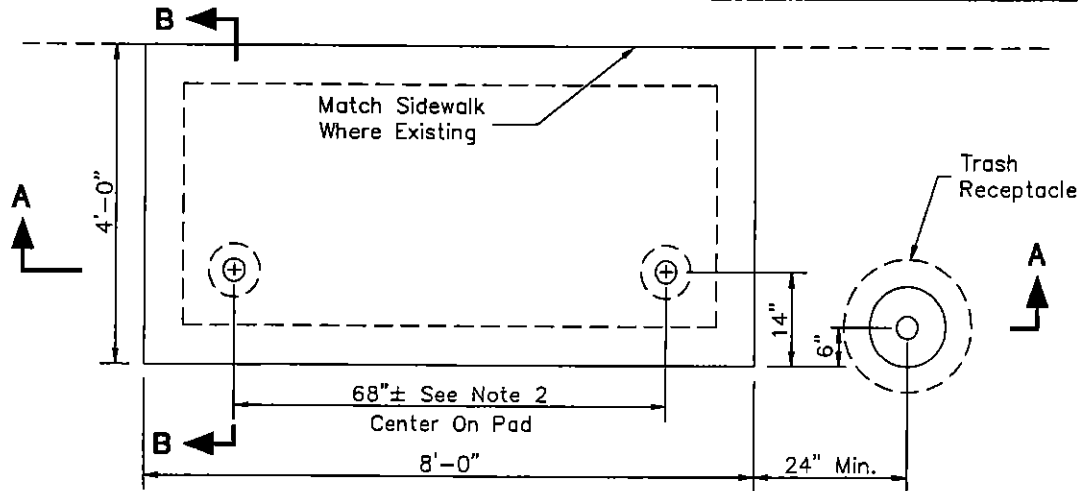
DETAIL NO. **2267** City of Scottsdale Standard Details

APPROVED BY: *[Signature]*

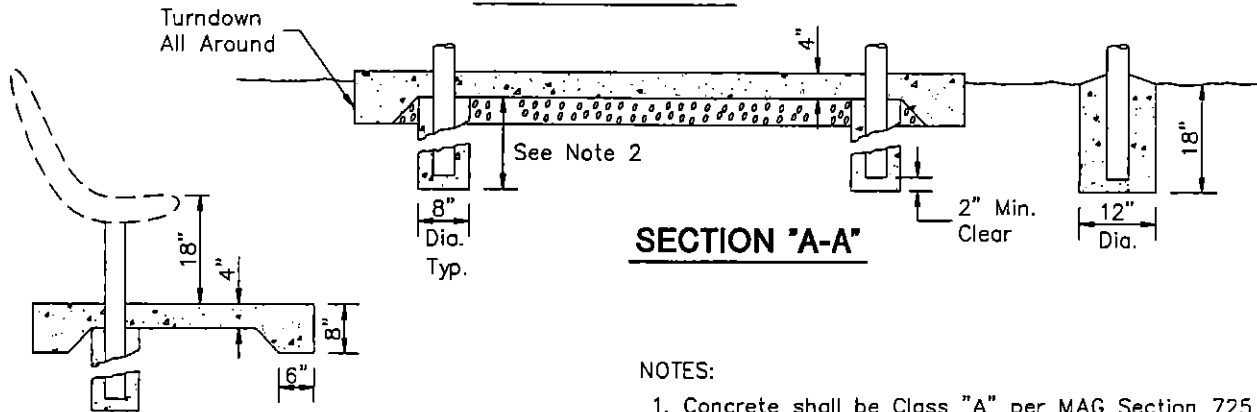
FAR - SIDE BUS BAY

DETAIL NO. **2267**

REVISED 7/1/97



BASE SLAB PLAN

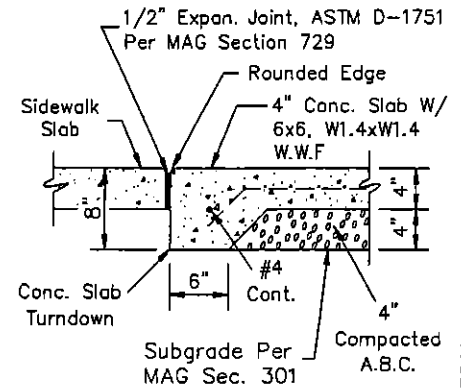


SECTION "A-A"

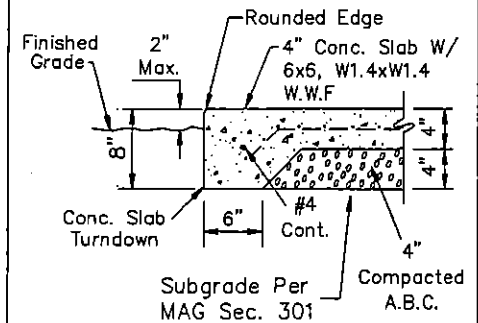
SECTION "B-B"

NOTES:

- Concrete shall be Class "A" per MAG Section 725. Slab surface shall be trowel finish with salt pitted appearance and random sweat. Use integral color when specified on the plans.
- Dimensions may vary with bench style - Verify and adjust to provide clearance and bench height shown.



SLAB EDGE AT SIDEWALK



SLAB EDGE AT GRADE

DETAIL NO.
2268

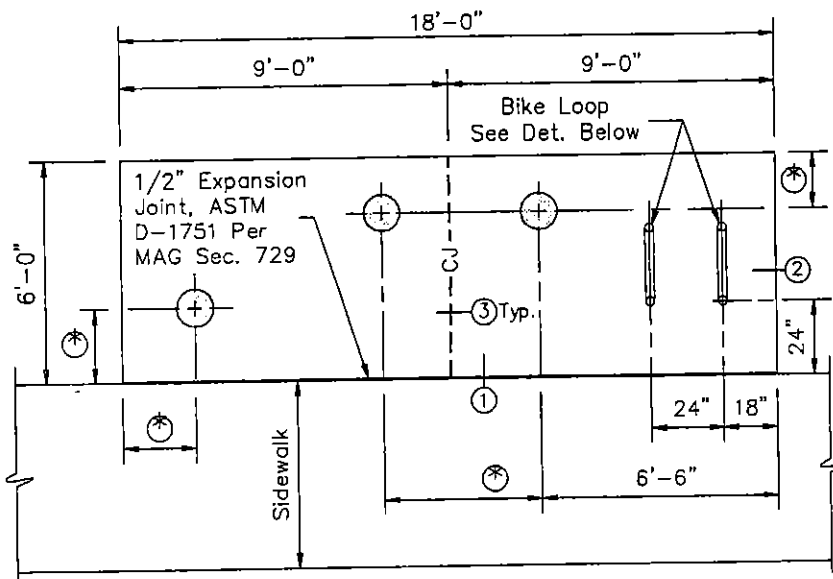
**City of Scottsdale
Standard Details**

APPROVED BY:
Scottsdale Standards &
Specifications Committee

**BASE SLAB AND FOUNDATIONS FOR
BUS STOP BENCH AND RECEPTACLES**

DETAIL NO.
2268

REVISED 7/1/97



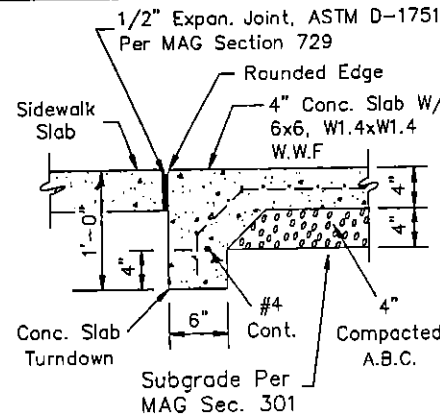
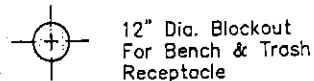
SHELTER SLAB PLAN

NOTES:

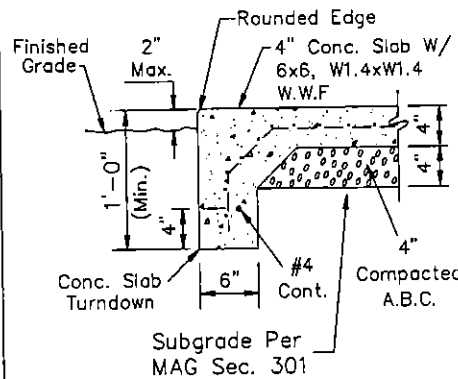
- Concrete shall be Class "A" per MAG Sec. 725. Slab surface shall be trowel finish with salt pitted appearance and random sweat. Use integral color when specified on the plans.
- "⊕" Blockout locations for bench and trash receptacle as shown on Plans or specified by the Engineer.

LEGEND

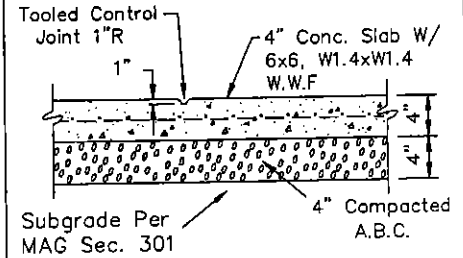
--- CJ --- Control Joints



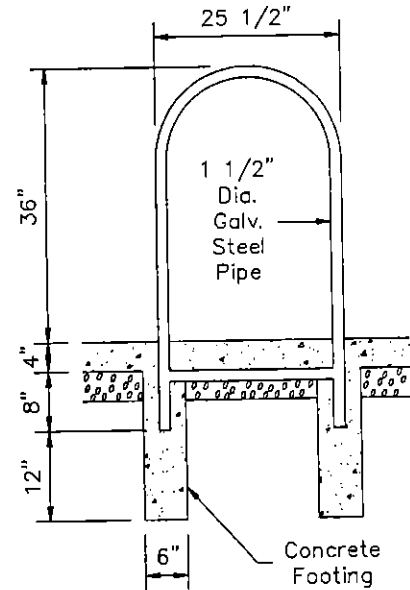
① SLAB EDGE AT SIDEWALK



② SLAB EDGE AT GRADE



③ SLAB CONTROL JOINTS



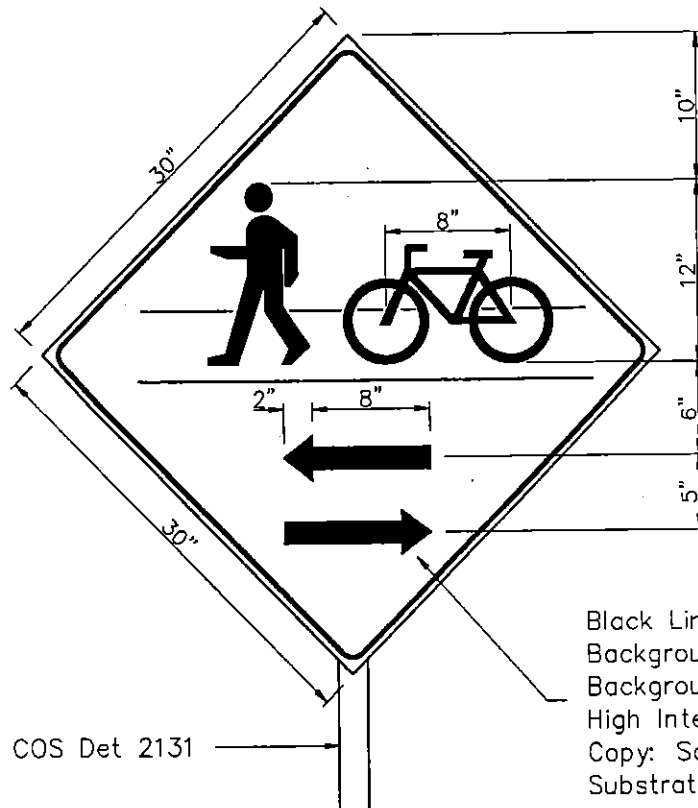
BIKE LOOP DETAIL

DETAIL NO. **2269** City of Scottsdale Standard Details

APPROVED BY:
Scottsdale Standards & Specifications Committee

TRANSIT SHELTER PAD

DETAIL NO. **2269**



Install Per COS Det 2131

Black Lines On Yellow ReflectORIZED
Background (Typ.)
Background: Super Engineer Grade Or
High Intensity Sheeting
Copy: Same As Above
Substrate: 0.080 Gauge Treated Aluminum

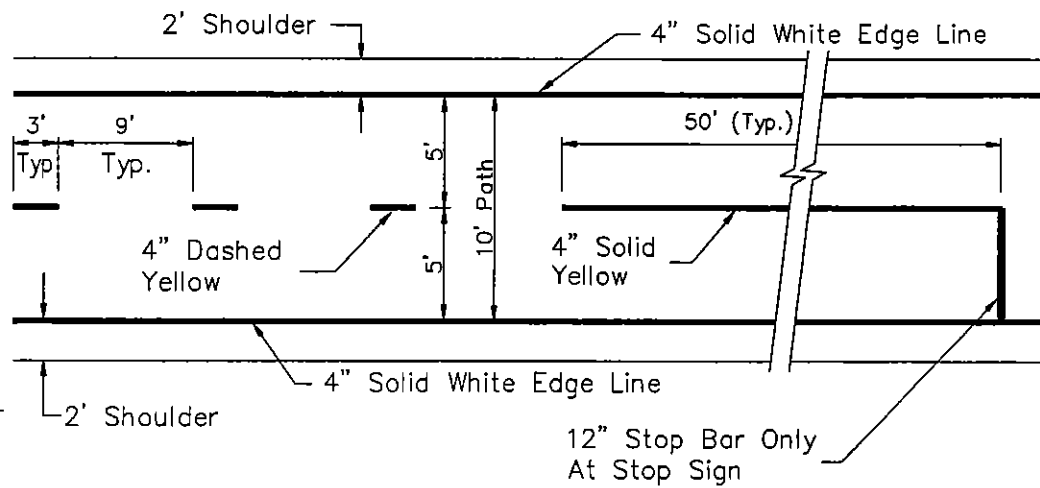
MULTI-USE PATH CROSSING SIGN

DETAIL NO.
2281 City of Scottsdale
Standard Details

APPROVED BY:
Scottsdale Standards &
Specifications Committee

MULTI-USE PATH CROSSING SIGN

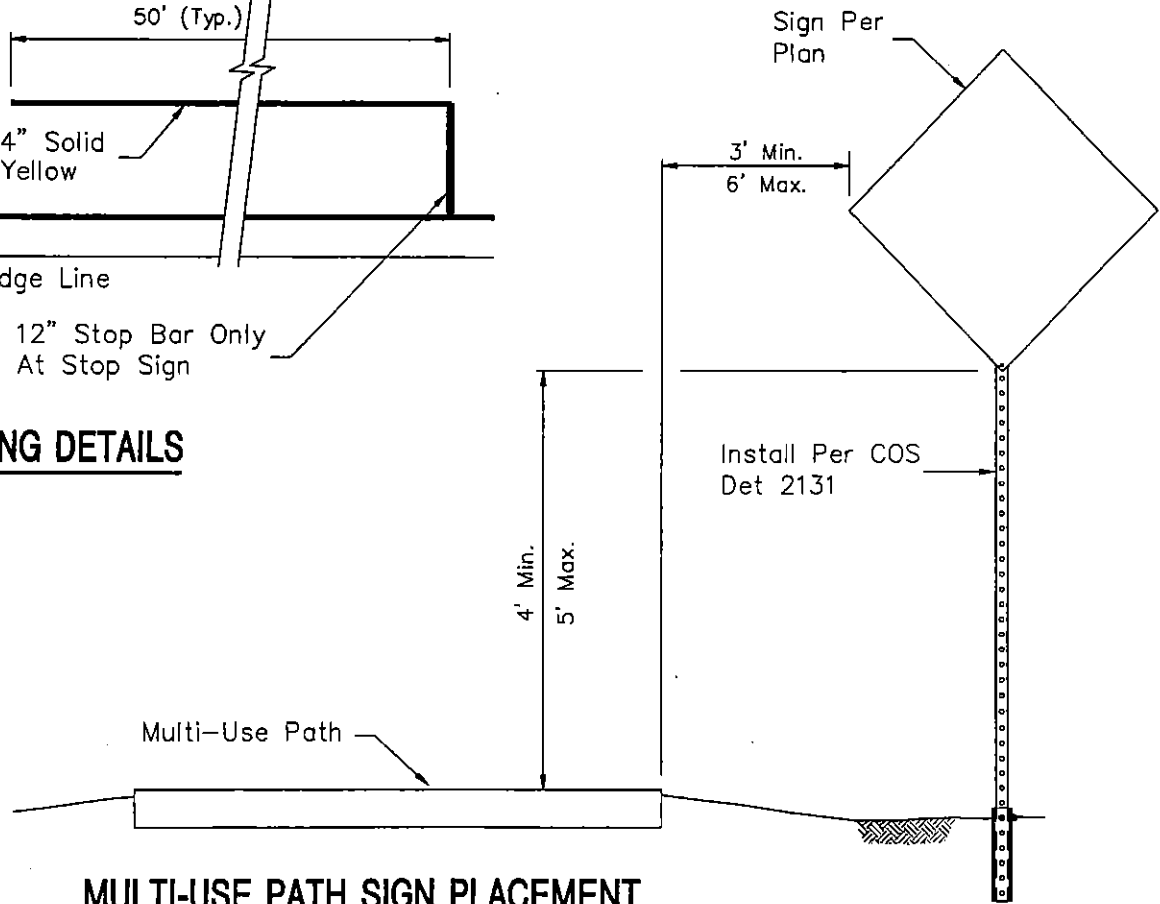
DETAIL NO.
2281



MULTI-USE PATH STRIPING DETAILS

NOTE:

Striping shall be reflectorized paint with glass beads per COS Specifications Sec. 402.2



MULTI-USE PATH SIGN PLACEMENT

DETAIL NO. 2282 City of Scottsdale Standard Details

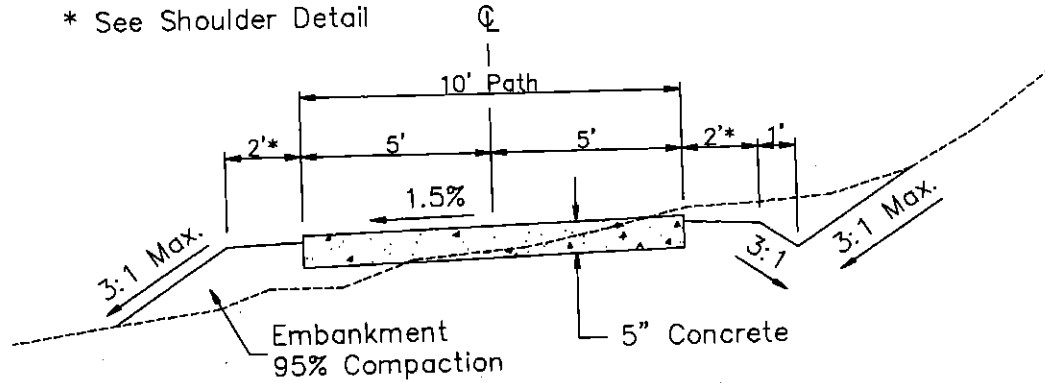
APPROVED BY: Scottsdale Standards & Specifications Committee

MULTI-USE PATH STRIPING AND SIGNING

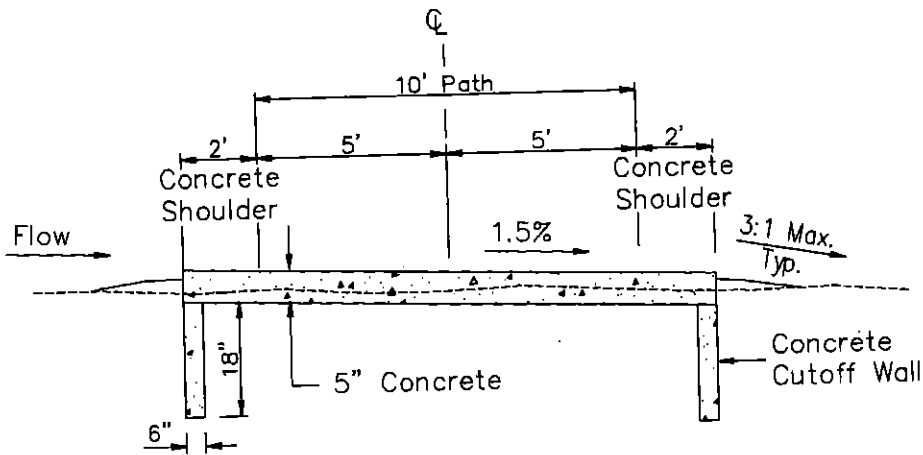
DETAIL NO. 2282

REVISED: 2/26/01

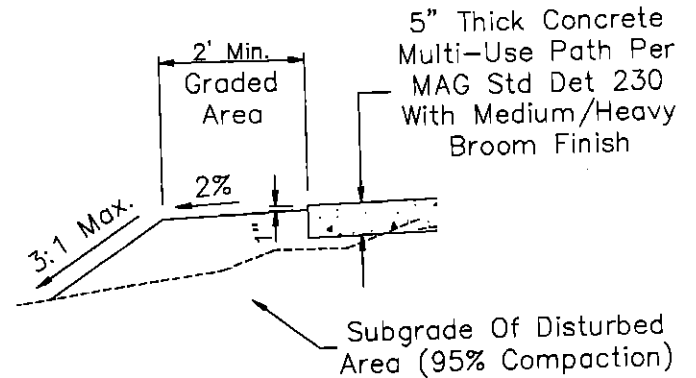
* See Shoulder Detail



MULTI-USE PATH DETAIL



MULTI-USE PATH WET AREA CROSSING



SHOULDER DETAIL

Note: A 3' x 3' Test Panel Shall Be Poured and the finish approved by COS Bicycle Staff At (480)312-7696.

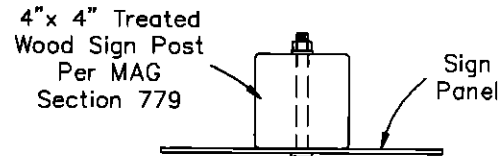
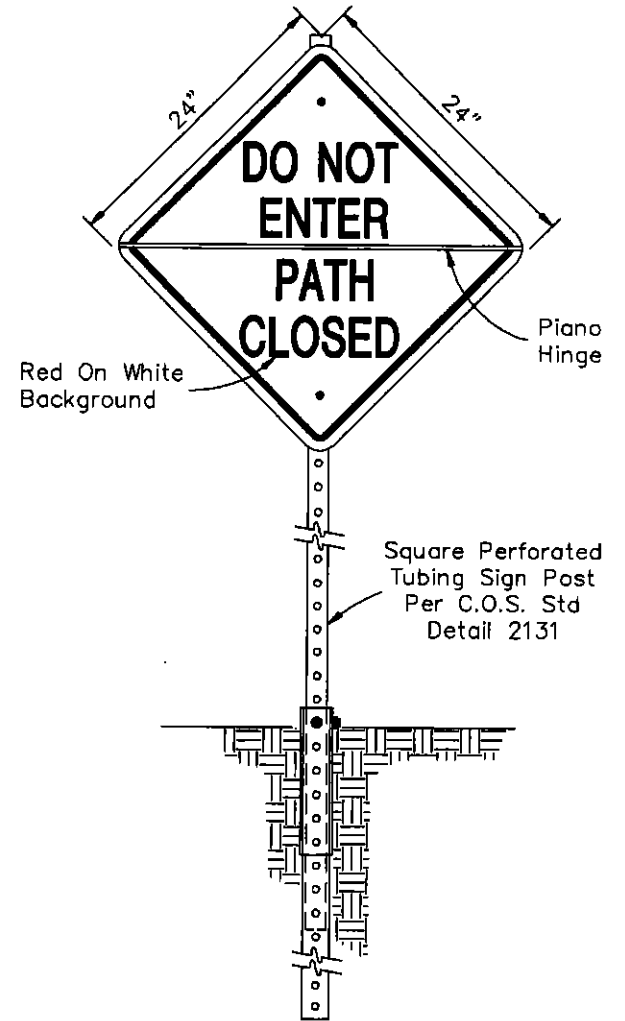
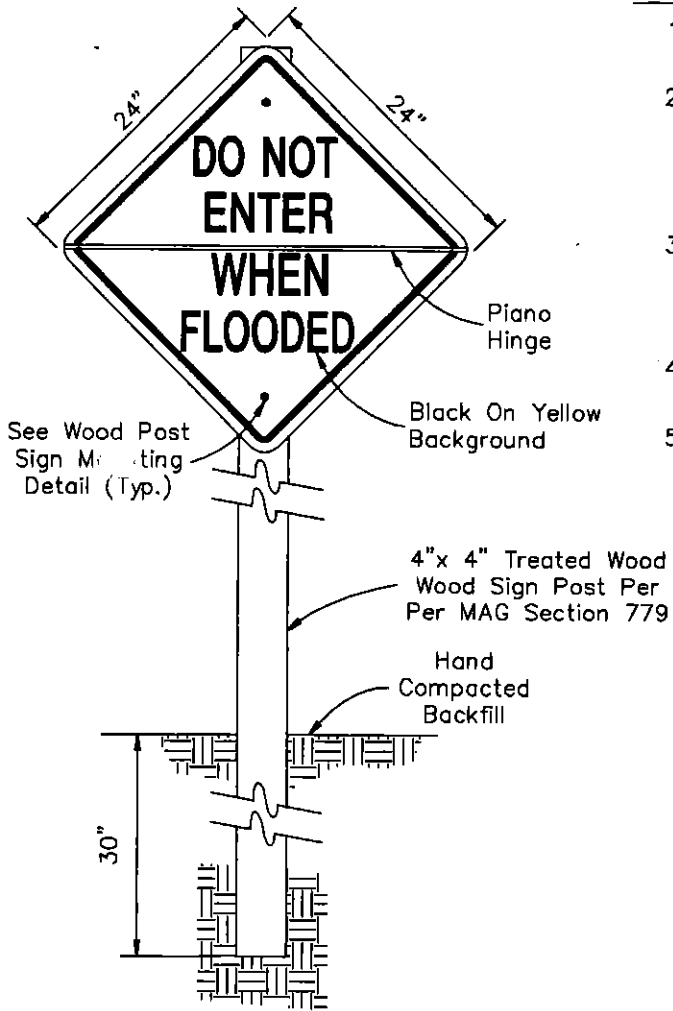
DETAIL NO. **2283** City of Scottsdale Standard Details

MULTI-USE PATH DETAILS

DETAIL NO. **2283**

NOTES:

1. Signs shall conform to C.O.S. Supplemental Specifications, Section 402.3.
2. Signs to be mounted on square perforated tubing per C.O.S. Std Det 2131 within C.O.S. Right-of-Way. Treated wood post may be used for trail markers located outside C.O.S. Right-of Way.
3. Legends and borders shall be vinyl sheeting on a reflectorized vinyl background (colors as noted) unless otherwise approved by the City of Scottsdale.
4. Sign height and placement shall conform to C.O.S. Std. Det. 2282.
5. For additional information regarding sign fabrication, contact the City of Scottsdale Sign Shop, 312-5646.



Fasten With (2) 1/2" x 2" Lag Screws With (2) Flat Washers or (2) 1/2" x 4 1/2" Bolts With (4) Flat Washers. Burr Threads And Nuts With Center Punch.

WOOD POST SIGN MOUNTING DETAIL

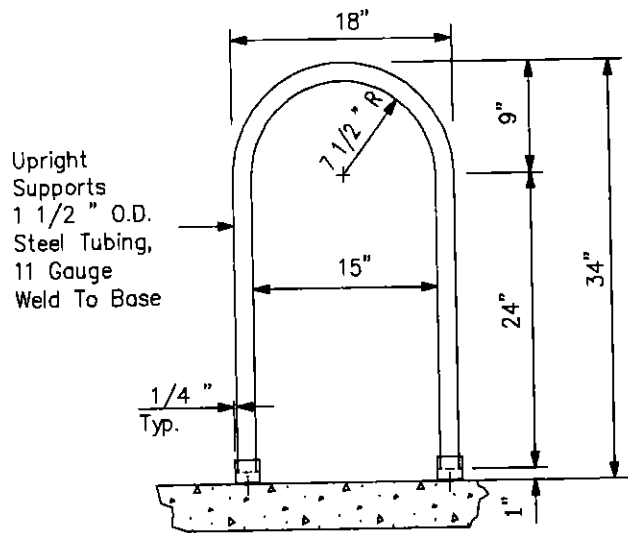
DETAIL NO.
2284

**City of Scottsdale
Standard Details**

APPROVED BY:
Scottsdale Standards &
Specifications Committee

MULTI-USE PATH WET CROSSING SIGN

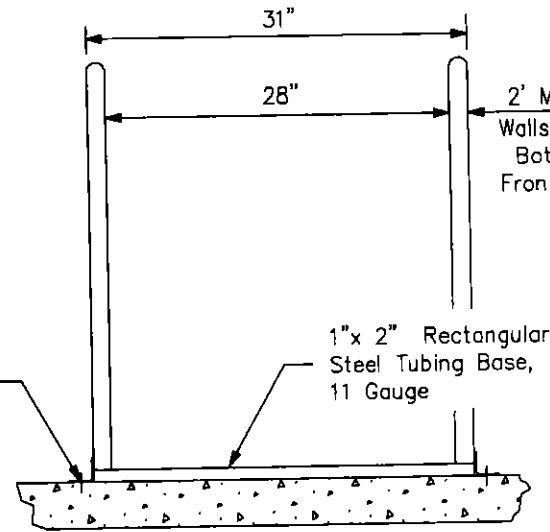
DETAIL NO.
2284



Upright Supports
1 1/2" O.D.
Steel Tubing,
11 Gauge
Weld To Base

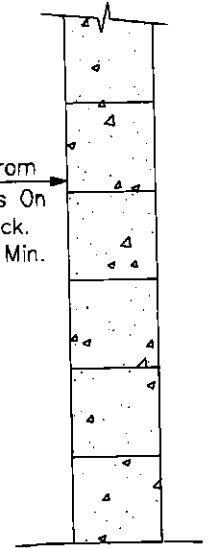
1/4"
Typ.

1/8" x 2" x 2" x 0'-2"
Angle Anchor Brackets
w/ 1/2" ϕ Hole. Weld
To Base. (4 Req'd)



2' Min. Clearance From
Walls Or Obstructions On
Both Sides And Back.
Front To Have A 6' Min.
Clear Area.

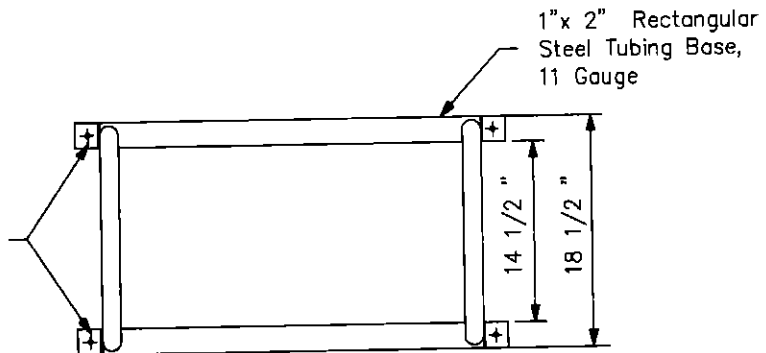
1" x 2" Rectangular
Steel Tubing Base,
11 Gauge



NOTES:

1. Double rack holds 4 bicycles.
2. Finish to be weather resistant, baked-on powder polymer coating.
3. Anchor rack to concrete w/ 3/8" ϕ x 2 1/2" wedge anchors, (4 Req'd), or set tubing 12" below grade in 24" deep x 6" wide concrete footing.
4. Concrete base may be covered with turf or decomposed granite.
5. Placement of bicycle rack shall be convenient to main entrance and in a highly visible area.

1/8" x 2" x 2" x 0'-2"
Angle Anchor Brackets
w/ 1/2" ϕ Hole. Weld
To Base. (4 Req'd)



1" x 2" Rectangular
Steel Tubing Base,
11 Gauge

DETAIL NO.
2285

**City of Scottsdale
Standard Details**

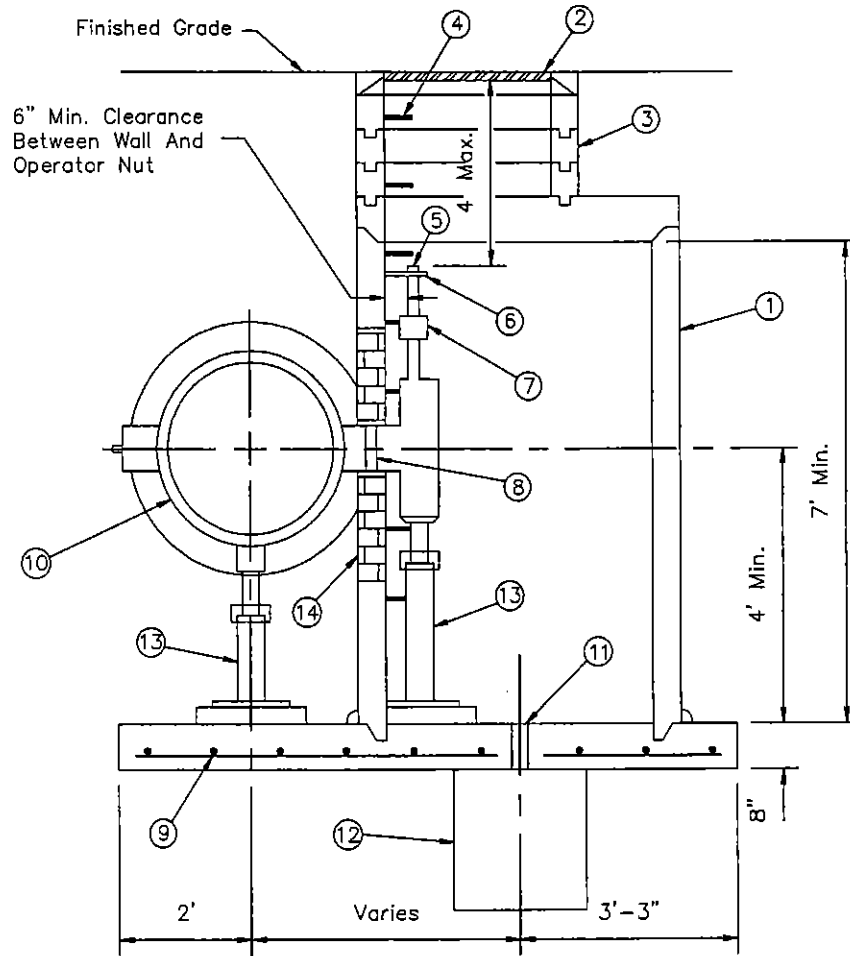
APPROVED BY:
Scottsdale Standards &
Specifications Committee

DOUBLE BICYCLE RACK

DETAIL NO.
2285



REVISED 1/4/93



LEGEND

- ① 48" I.D. Manhole Shaft Per MAG Std. Detail 420, Type "B" Top
- ② 30" Manhole Frame & Cover Per MAG Std. Detail 424
- ③ Grouted Adjusting Rings
- ④ Polypropylene Manhole Steps Per MAG Std. Detail 428, 12" Spacing Typical
- ⑤ Operator Nut
- ⑥ Wall Bracket
- ⑦ Packing Gland
- ⑧ 6" Extension
- ⑨ #4 Rebar 12" On Center Each Way 2" Clear Typical
- ⑩ Butterfly Valve
- ⑪ 3" Diameter Drain
- ⑫ 8 Cu. Ft. Gravel Sump
- ⑬ Adjustable Pipe Saddle Support
- ⑭ Rectangular Cut-Out In Manhole Shaft, Fill Space Between Shaft And Pipe With 1" Sheet Foam, Brick And Mortar

SECTION

DETAIL NO.
2305-1

City of Scottsdale
Standard Details

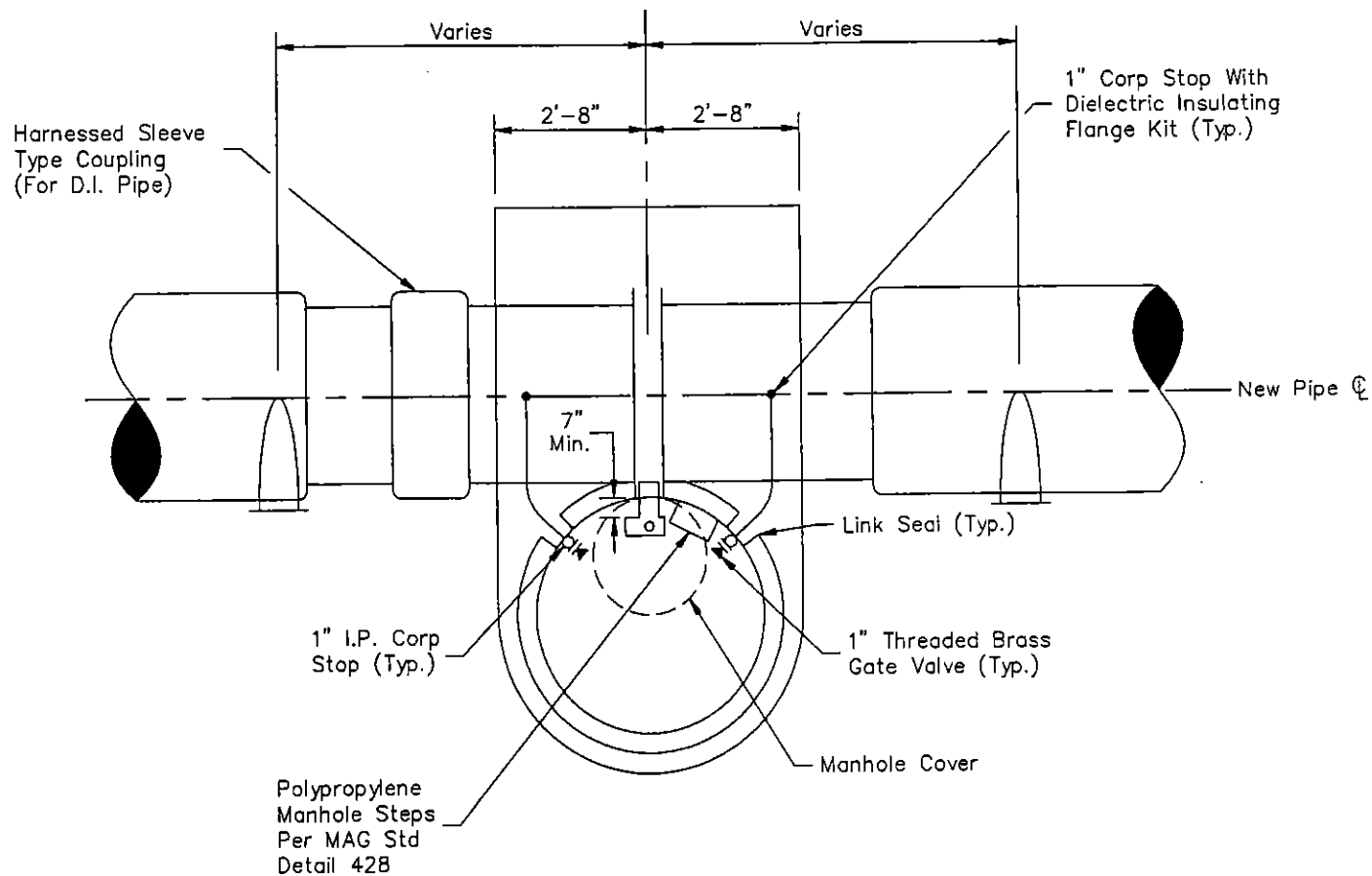
APPROVED BY:

Marty Craig

BUTTERFLY VALVE OPERATOR MANHOLE

DETAIL NO.
2305-1

REVISED 1/14/93



PLAN

DETAIL NO.
2305-2

City of Scottsdale
Standard Details

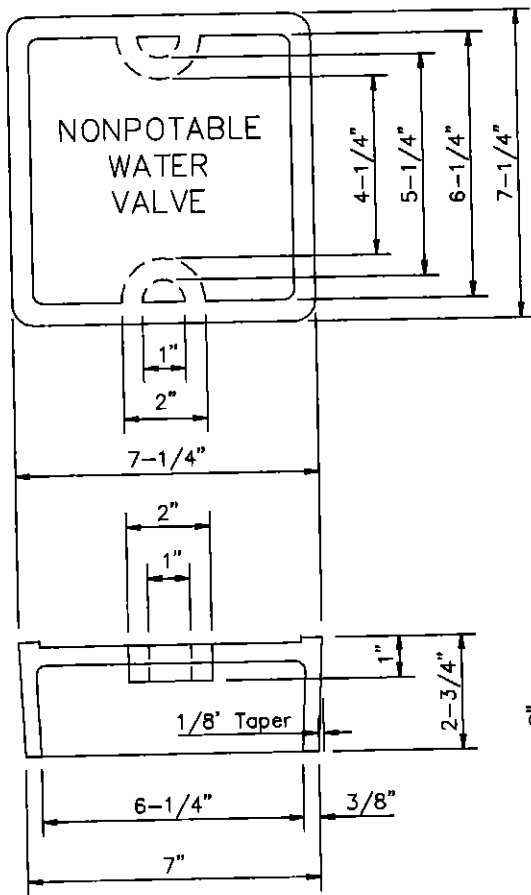
APPROVED BY:

Monty Green

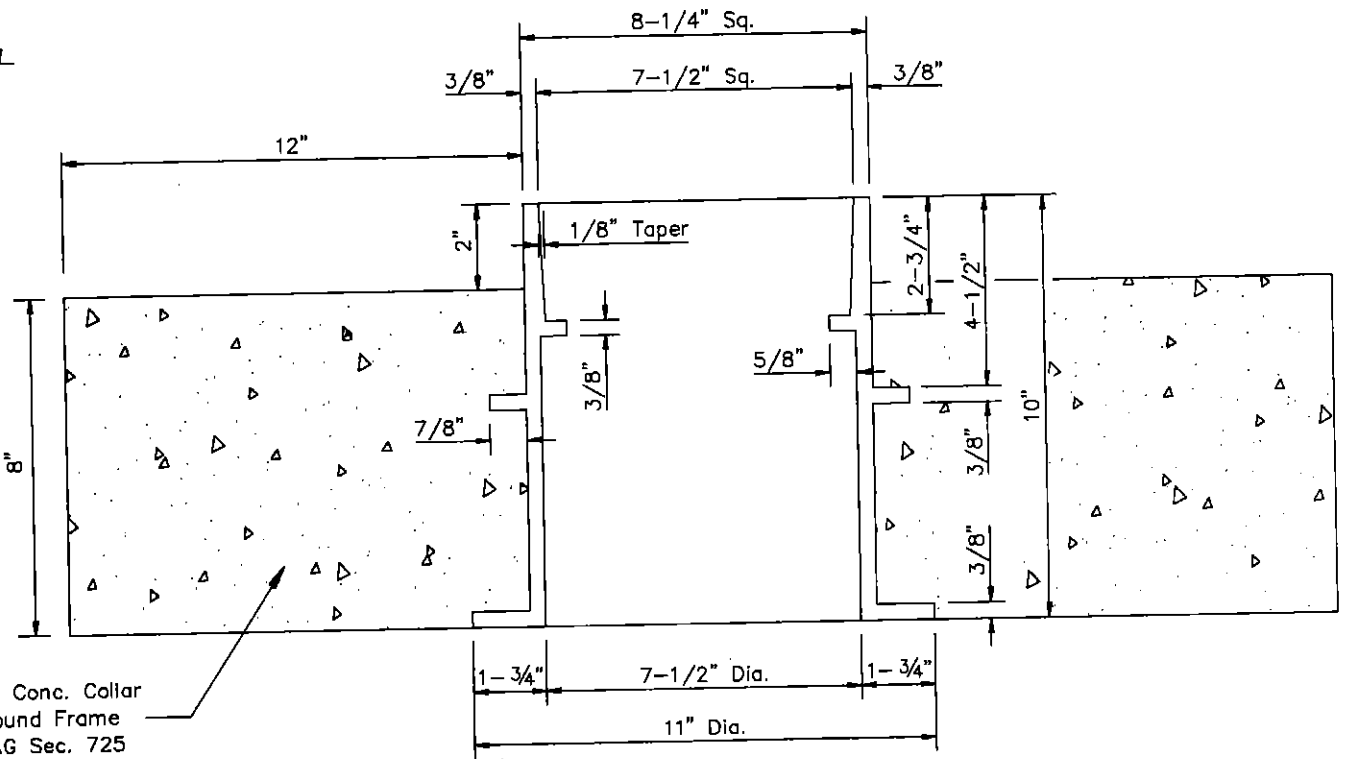
BUTTERFLY VALVE OPERATOR MANHOLE

DETAIL NO.
2305-2

REVISED 2/22/99



Class 'B' Conc. Collar
All Around Frame
Per MAG Sec. 725



NOTES

1. Round bottom for riser pipe, square top for cover.
2. All materials shall be cast iron per ASTM A48, Class 30B.
3. Nonpotable water valve box to be installed per M.A.G. Std. Detail 391.
4. The cast iron lid shall be marked "Nonpotable Water Valve" on the top side. Letters shall be 1" each and raised 1/8".

DETAIL NO.
2315

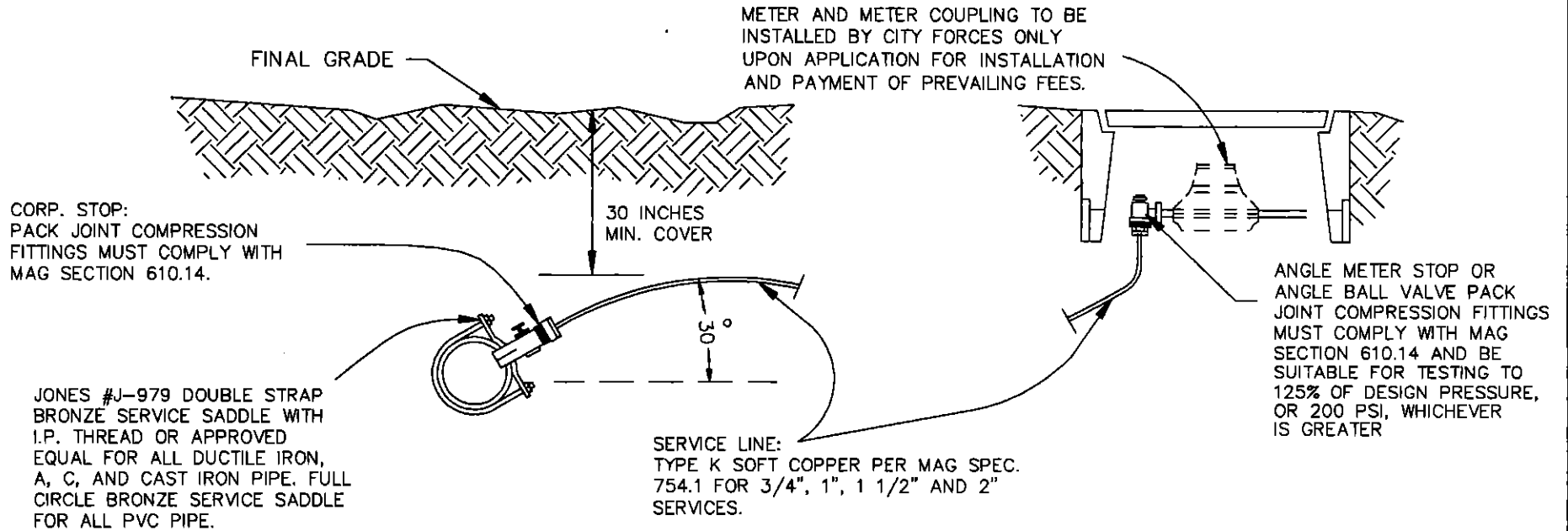
City of Scottsdale
Standard Details

APPROVED BY:
Scottsdale Standards &
Specifications Committee

NONPOTABLE WATER VALVE BOX & COVER

DETAIL NO.
2315

REVISED 3/30/00



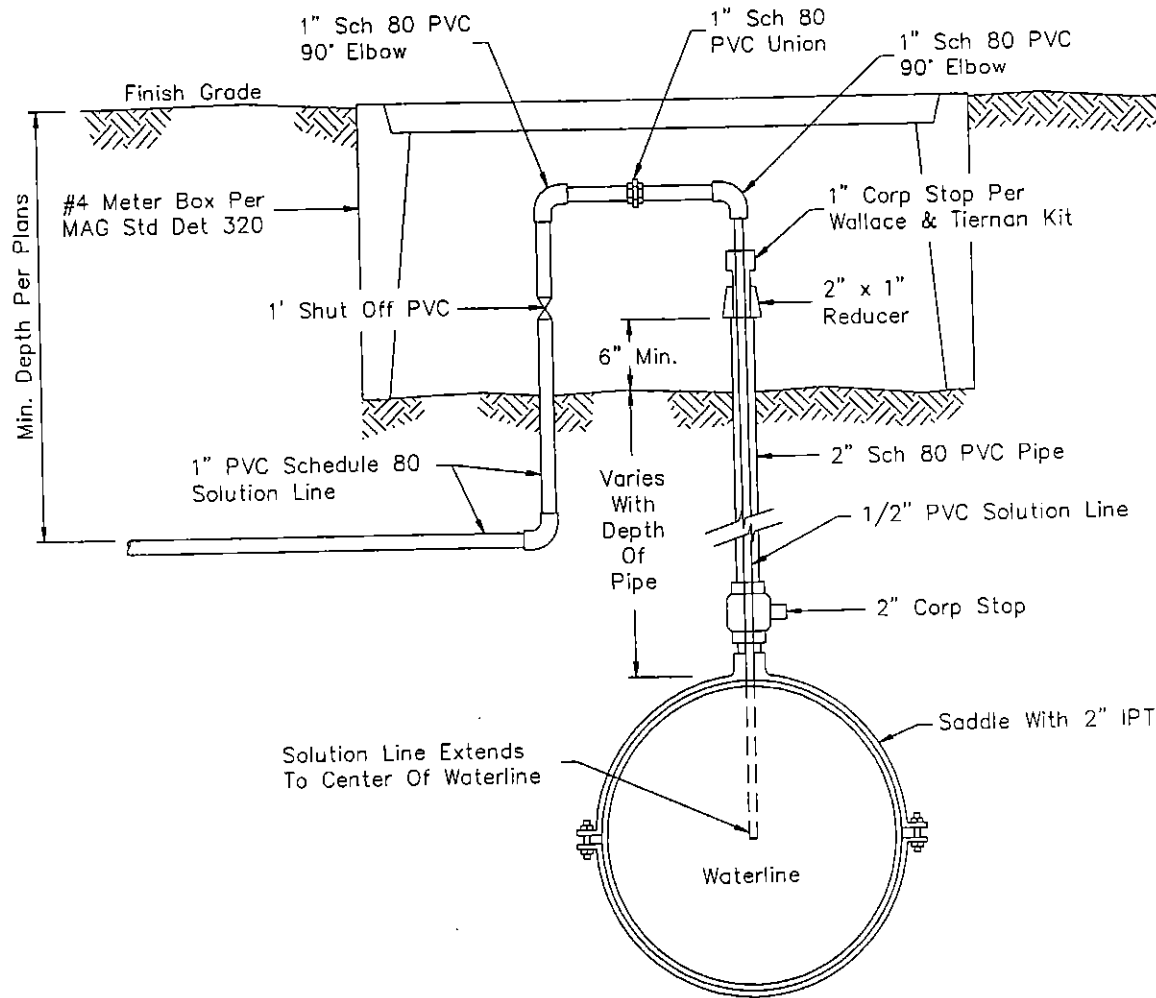
- NOTE:
1. All taps must be made using a service saddle.
 2. All service line sizes shall have the pack joint compression fittings for corp. stops and meter stops.
 3. Where a contractor is installing new water lines, he shall also install the water service connection. The installation shall include the service saddle, corp. stop, service pipe, appurtenant fittings, meter stop, concrete meter box and box cover, per M.A.G. Specifications.
 4. Copper service lines in the 3/4", 1", 1 1/2", and 2" sizes that cross streets will be one continuous piece. Only with the express written consent of Water & Wastewater Operations will joints be permitted under a road. When this occurs, pack joint fittings will be required; no soldered joints will be permitted.
 5. When all or part of a development is to be served by existing City of Scottsdale water mains, only authorized City of Scottsdale Water and Wastewater Operations personnel shall install the water service connection.

DETAIL NO. **2330** **City of Scottsdale**
Standard Details

WATER SERVICE LINE CONNECTION

DETAIL NO. **2330**

REVISED 3/11/94



NOTE:

Specifications on all fittings shall exceed the maximum pressures of the system.

DETAIL NO.
2332

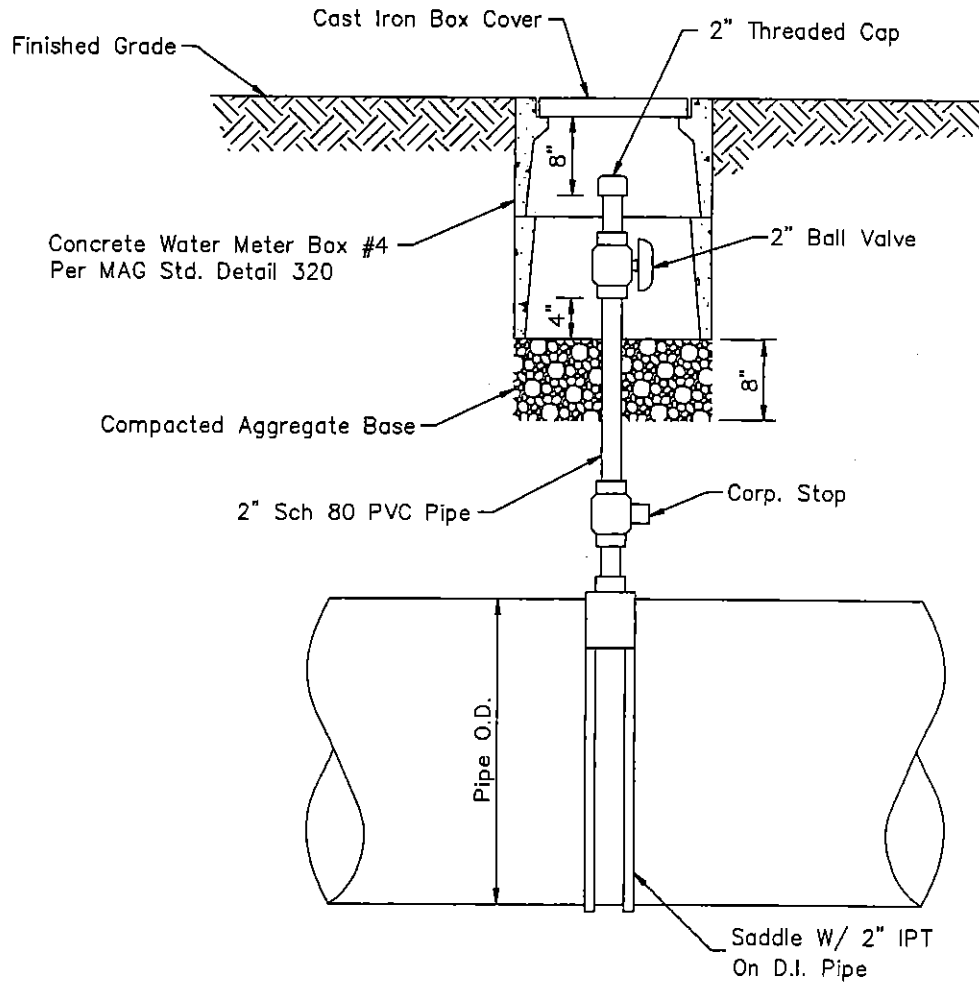
City of Scottsdale
Standard Details

APPROVED BY:
Marty Craig

CHLORINE INJECTION TAP
FOR UNDERGROUND WATERLINES

DETAIL NO.
2332

REVISED 1/4/93



DETAIL NO.
2333

City of Scottsdale
Standard Details

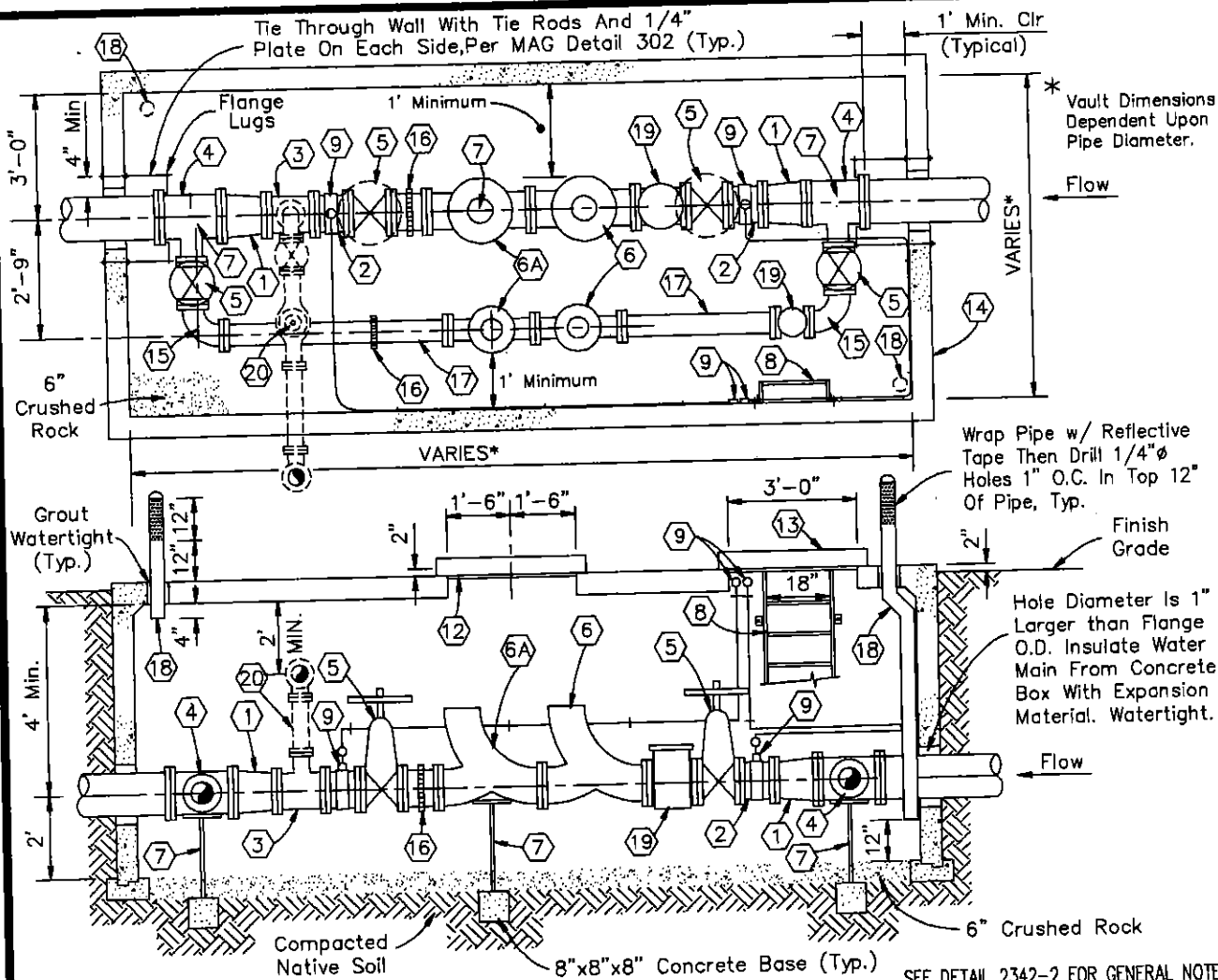
APPROVED BY:

Marty Craig

TAP FOR FUTURE CHLORINE INJECTION

DETAIL NO.
2333

REVISED 2/27/01



NOTES

- ① D.I.P. Flg Concentric Reducer
- ② D.I.P. Flg x Flg Spool Piece
- ③ D.I.P. Flg x Flg Tee. Install Only When Detail 2342-2 Is Used.
- ④ D.I.P. Flg Reducing Tee
- ⑤ Flg NRS Resilient Wedge Gate Valve, Inside Epoxy Coated, Low Zinc Stem w/ Wheel Handle
- ⑥ Flg PRV Bermad Model 723-20-V-I-U w/ Valve Position Indicator & Low Flow V-Port Plug And Must Have Stainless Steel Pilot Tubing, Or Approved Equal.
- ⑥A Flg PRV Bermad Model 723-20-V-I-U w/ Valve Or Approved Equal Will Be Installed When Pressure Differential Is 100 psi Or Greater.
- ⑦ 4" Dia Galv Adjustable Pipe Supports w/ 1" Adj. Rod And Nut On 8" x 8" x 8" Concrete Base.
- ⑧ Galv Access Ladder Bolted To Wall, 6" Stand Off.
- ⑨ Saddle With 1" Corp., 3/8" Brass Reducer, 3/8" 3/8" Brass Tee w/ Oil Filled 0-200 Pressure Gauge. Install 3/8" Stainless Tubing Strapped To Wall As Shown w/ Oil Filled Gauges Mounted At Access Door. Gages To Be Readable From Outside Vault.
- ⑫ For 8" Valves Or Larger Install Utility Vault Raised/ Adjustable Access Door, Model 3636, Or Approved Equal, Centered Over Main Valves For Removal.
- ⑬ Utility Vault Raised/Adjustable Steel Access Door For Inspection, Model 3636 Or Approved Equal. Place In Corner With Ladder.
- ⑭ Precast Concrete Water Utility Vault, Per MAG Std Det 321 & 345-1, Inside Dimensions Vary Depending On Pipe Size.
- ⑮ D.I.P. Flg 90° Elbow
- ⑯ Victaulic Coupling Or Approved Equal w/ All Thread Tie Rods.
- ⑰ D.I.P. Flg Pipe Spool
- ⑱ 4" Galv. Steel Vent Pipe With Cap. Strap Pipe To Wall. Install Vents In Unpaved Areas Only.
- ⑲ Basket Type Strainer
- ⑳ 4" Pressure Relief Bermad Model 730-1-U w/ Valve Position Indicator Or Approved Equal Required When Pressure Differential Meets Or Exceeds 100 PSI. See Detail 2342-2.

* Engineer to note direction of flow and pressure setting on the plans.

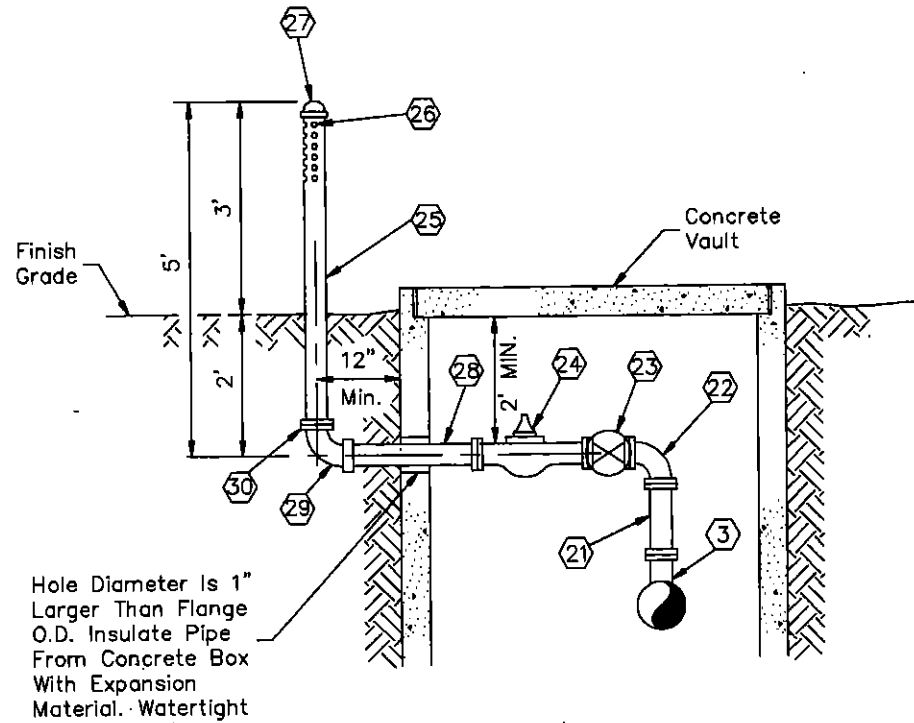
DETAIL NO. 2342-1

City of Scottsdale
Standard Details

PRESSURE REDUCING VALVE

DETAIL NO. 2342-1

REVISED 2/27/01



PRESSURE RELIEF OUTLET ASSEMBLY DETAIL

SEE NOTE (20) DETAIL 2342-1

NOTES

- (3) Flg x Flg Tee, See Detail 2342-1
- (21) 4" Flg Connecting Piece
- (22) 4" DIP Flg x Flg 90° Elbow, w/ Restrained Joints (Meg A Lug Or Approved Equal)
- (23) 4" Flg NRS Resilient Wedge Gate Valve, Inside Epoxy Coated, Low Zinc Stern w/ Handwheel
- (24) 4" Flg PRV Bermad Model 730-I-U Or Approved Equal, Epoxy Coated w/ Valve Position Indicator
- (25) 4" SCH. 40 Steel Pipe (Painted Desert Beige)
- (26) 6 Rows 2" O.C. Of 3-1"Ø Holes, 180° Spray Pattern
- (27) 4" SCH 40 Steel Cap (Threaded)
- (28) 4" Ductile Pipe Spool
- (29) 4" DIP MJ x Flg 90° Elbow
- (30) Flanged Connection w/ Breakaway Bolts

GENERAL NOTES

1. All pipe and valves are to be rated per system pressure.
2. Pilot lines for all controls will be stainless steel tubing.
3. Stainless tubing bends will be uniform and made with a tubing bender.
4. Bypass line (small PRV) shall be 4" Min. D.I.P.
5. Airvents and relief outlet riser pipe shall not be located within 12 feet of an existing edge of pavement or within 2 feet of a barrier type curb or 2' back of sidewalk.

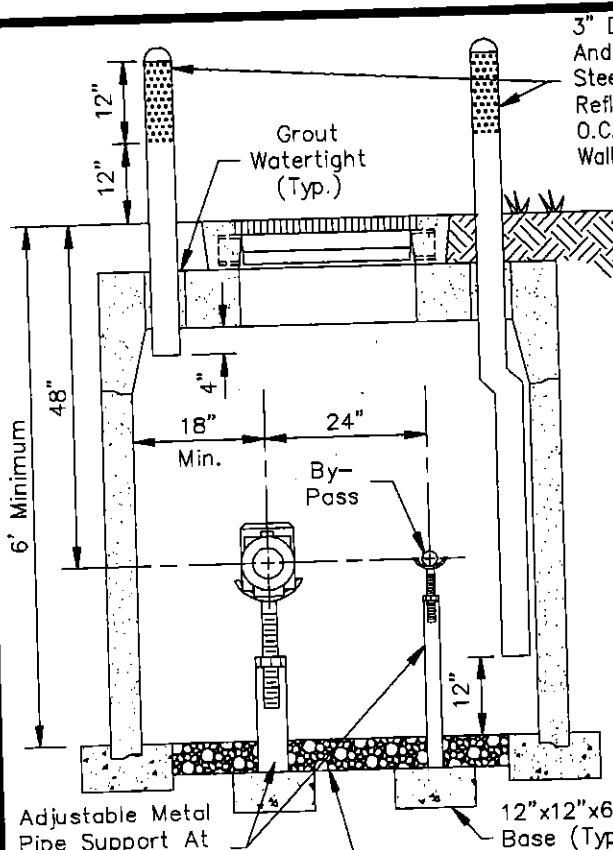
DETAIL NO.
2342-2

City of Scottsdale
Standard Details

PRESSURE REDUCING VALVE

DETAIL NO.
2342-2

REVISED 2/27/01



SECTION A-A

3" Dia. Sch 40 Steel Vent Pipe W/ Cap And Bracket as Manufactured By Blue Dot Steel Or Approved Equal. Wrap Pipe With Reflective Tape Then Drill 1/4" ϕ Holes 1" O.C. In Top 12" Of Pipe. Strap Pipe To Wall. Install Vents In Unpaved Areas Only.

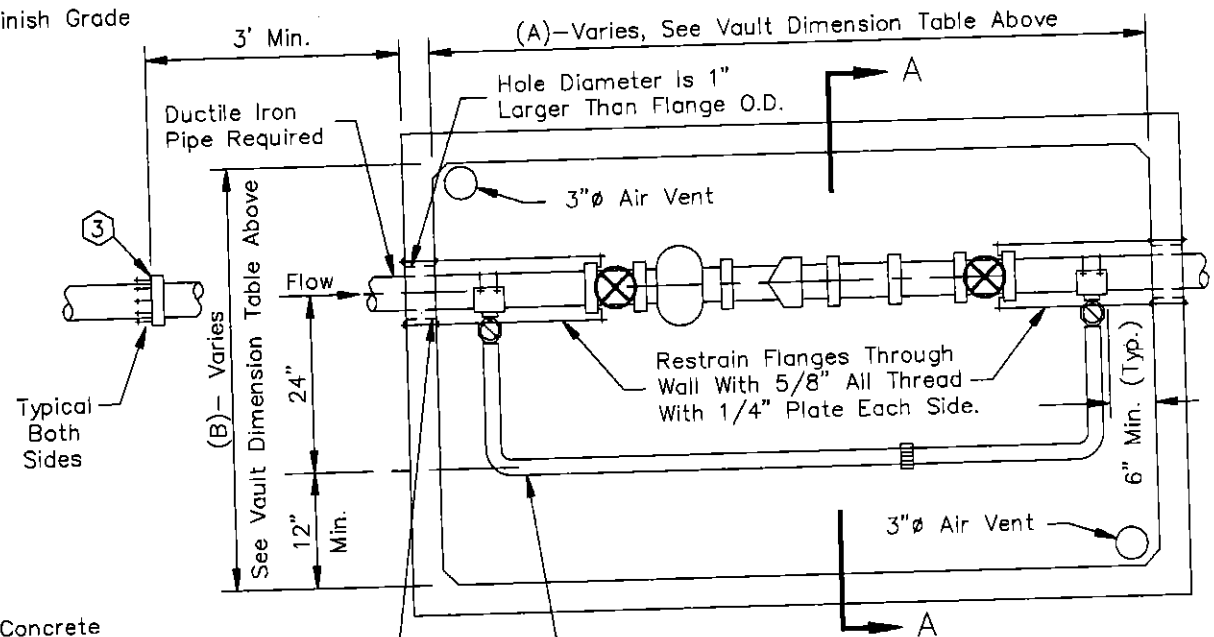
Finish Grade

Adjustable Metal Pipe Support At Each Valve, And, Two Spaced Equally On Bypass Assembly
 4" Crushed Rock
 12"x12"x6" Concrete Base (Typ.)

Insulate Water Main From Concrete Box With 1" Ramneck Or Other Expansion Material Approved By The Engineer. Grout Balance Of Opening Per MAG Specifications.

NOTE: Meter Vaults To Be Pre-Cast Concrete Unless Otherwise Approved By Water Operations. See MAG Std Detail 321 For Vault Construction.

VAULT DIMENSION TABLE			
MAIN SIZE	3"	4"	6"
(A)	8'-4"	10'-6"	12'-0"
(B)	4'-6"	5'-0"	5'-0"



PLAN

SHEET 1 OF 2

VAULT INSTALLATION

3", 4", 6" WATER METER

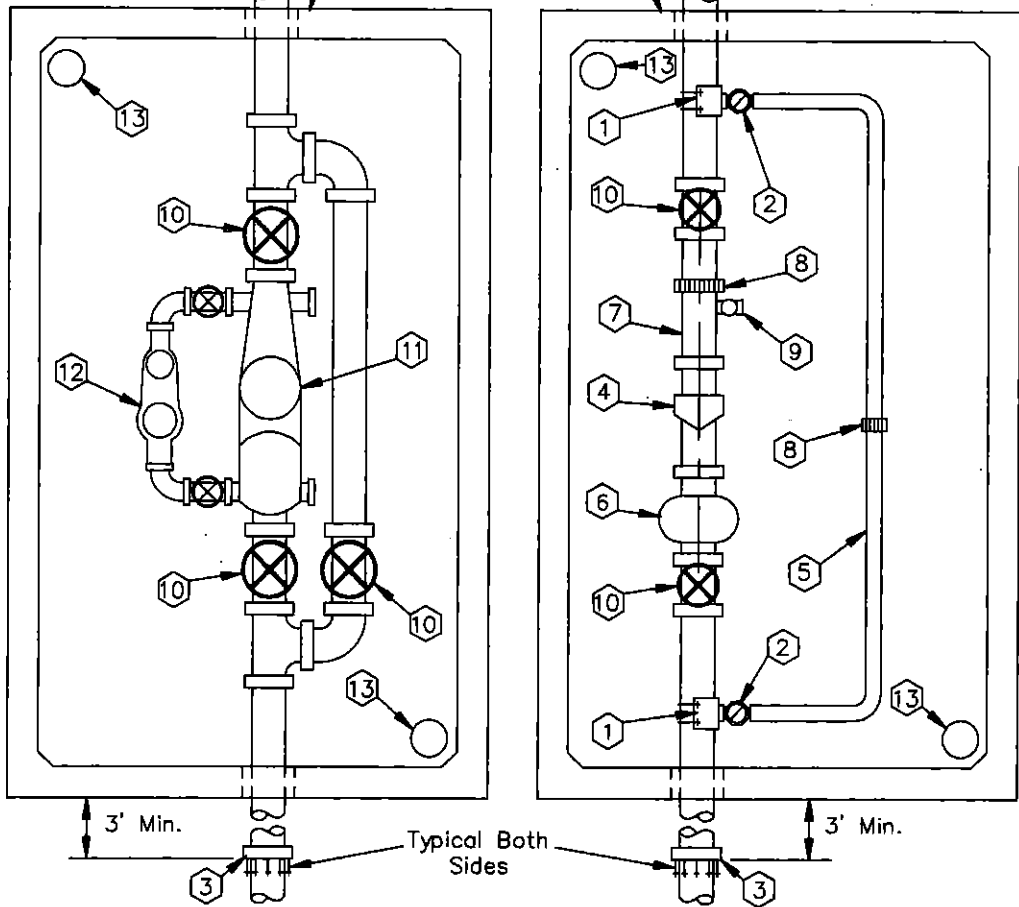
DETAIL NO. **2345-1** City of Scottsdale Standard Details

DETAIL NO. **2345-1**

Except For 2" Copper Bypass All Fittings Will Be Flanged. Uniflange Not Acceptable Unless Approved By Water Operations. 2" Copper Bypass Will Be Joined With Silver Solder Except At 2" Corp Stop Which Will Be Pac Joint.

REVISED 2/27/01

For Vault Construction
See MAG Std Det 321



**COMBINATION DOMESTIC/
FIRE LINE METER**

COMPOUND/TURBINE METER

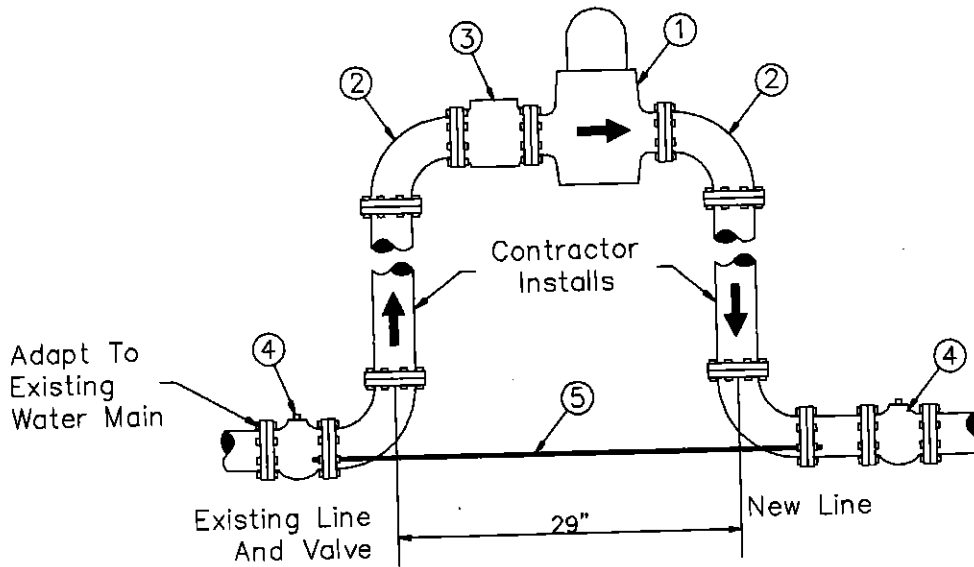
KEY NOTES

- ① Double Strap All Bronze Service Saddle, Or Flanged x Flanged Tee With Flanged X Flanged Valve For Sizes 3" Or Larger.
- ② Corp. Stop, 2"(Ball Type). Or R.W. Gate Valve With Non-Rising Stem Handwheel Operator For 3" Or Larger.
- ③ Adaptor, Flanged To Mech. Joint For A.C.P.
- ④ Turbine (High Flow) Or Compound Meter, See Note 4 Below.
- ⑤ 2" Ridged Type "K" Copper By-Pass Line, 3" Or Larger To Be Ductile Iron. Not Less Than One Pipe Size Smaller Than Meter In Note 4.
- ⑥ Strainer, Supplied with Meter.
- ⑦ Flanged Spool, (3 Pipe Diameters In Length, Min.).
- ⑧ Provide Victaulic Coupling Or Approved Equal For All Lines 3" Or Larger.
- ⑨ 2" Threaded Outlet And Ball Valve. Not Needed If Vertical Test Valve Is Provided On Meter.
- ⑩ Resilient Wedge Gate Valve, Flanged, With Hand Wheel, Open Left, With Non-Rising Stem.
- ⑪ Turbine (High Flow) Or Compound Meter, See Note 4 Below.
- ⑫ 2" Turbine Meter: Sensus "W-160" Or Hersey "MHR" Or Neptune Trident Turbine.
- ⑬ 3"Ø Air Vent, See Sheet 1 Of 2.

NOTES

- 1. For Larger Meters Special Vault Design Is Required.
- 2. Use Of Remote Reading Device At Option Of Utility.
- 3. An Approved Backflow Prevention Assembly Shall Be Required Downstream Of The Water Meter. Contact Water Resources, Backflow Prevention For Specific Information.
- 4. Meter To Be Provided By City Upon Payment Of Fees.

REVISED 2/27/01



GENERAL NOTES

1. Contractor to supply and install above ground piping and fittings to accommodate meter, strainer and 2 - 90° ells.
2. Contractor to remove piping and fittings after acceptance of new water main and complete connection as per MAG Standards.

Adapt Size And Material To New Non-Approved Water Main

LIST OF MATERIALS

- ① 3", 4" & 6" Pressure regulating valve with meter and check feature - supplied by COS.
- ② 3", 4" & 6" Flanged ductile iron 90° ell - supplied by COS.
- ③ 3", 4" & 6" Strainer - supplied by COS.
- ④ Line valves shall be within a 20' maximum distance upstream and downstream of flow meter or as approved by COS, and shall remain in-place after removal of temporary meter.
- ⑤ 3/4"Ø zinc coated threaded rod.

DETAIL NO.
2346

City of Scottsdale
Standard Details

TEMPORARY CONSTRUCTION METER

DETAIL NO.
2346

REVISED 2/27/01

NOTE: IF STAND PIPE IS WITHIN 8 FEET OF THE EDGE OF PAVEMENT ON STREETS NOT HAVING VERTICAL CURB, INSTALL A VERTICAL OBJECT MARKER PER COS DETAIL 2133 ON APPROACH SIDE OF THE STAND PIPE.

1/8" MESH SCREEN WITH STAINLESS STEEL CLAMP

2" GALVANIZED 90° ELBOW
2" SCH 80 GALVANIZED PIPE

24" RING & COVER (SCOTTSDALE WATER)

BACK OF CURB OR SIDEWALK

FINISH GRADE

2" GALVANIZED 90° ELBOW

CONCRETE THRUST BLOCK PER MAG STD. DET. 380

FIELD CUT GALVANIZED PIPE, INSTALL 2" FERNCO COUPLING W/ STAINLESS STEEL BANDS OR APPROVED EQUAL.

2" SCH 80 PVC 90° ELBOW
2" COMBINATION AIR/VACUUM RELEASE VALVE

12" CONCRETE COLLAR ALL AROUND FRAME 2" BELOW FINISH GRADE

2" BRASS 90° ELBOW

36" WIDE x 30" DEEP ARV CANNISTER, ASTM D-3753, AS MANUFACTURED BY L. F. MANUFACTURING OR APPROVED EQUAL.

4" x 8" x 16" CONCRETE SUPPORT

2" SOFT TYPE "K" COPPER PIPE. EXTEND LINE BEYOND PAVEMENT WHEN MAIN LINE IS IN STREET.

6" CRUSHED STONE

2" CORP STOP IPT X PAC-JOINT, COS SPEC.

12" ABC BASE

DOUBLE STRAP BRASS SADDLE PER COS SPEC. WELD-O-LET FOR CEMENT LINED STEEL CYLINDER PIPE.

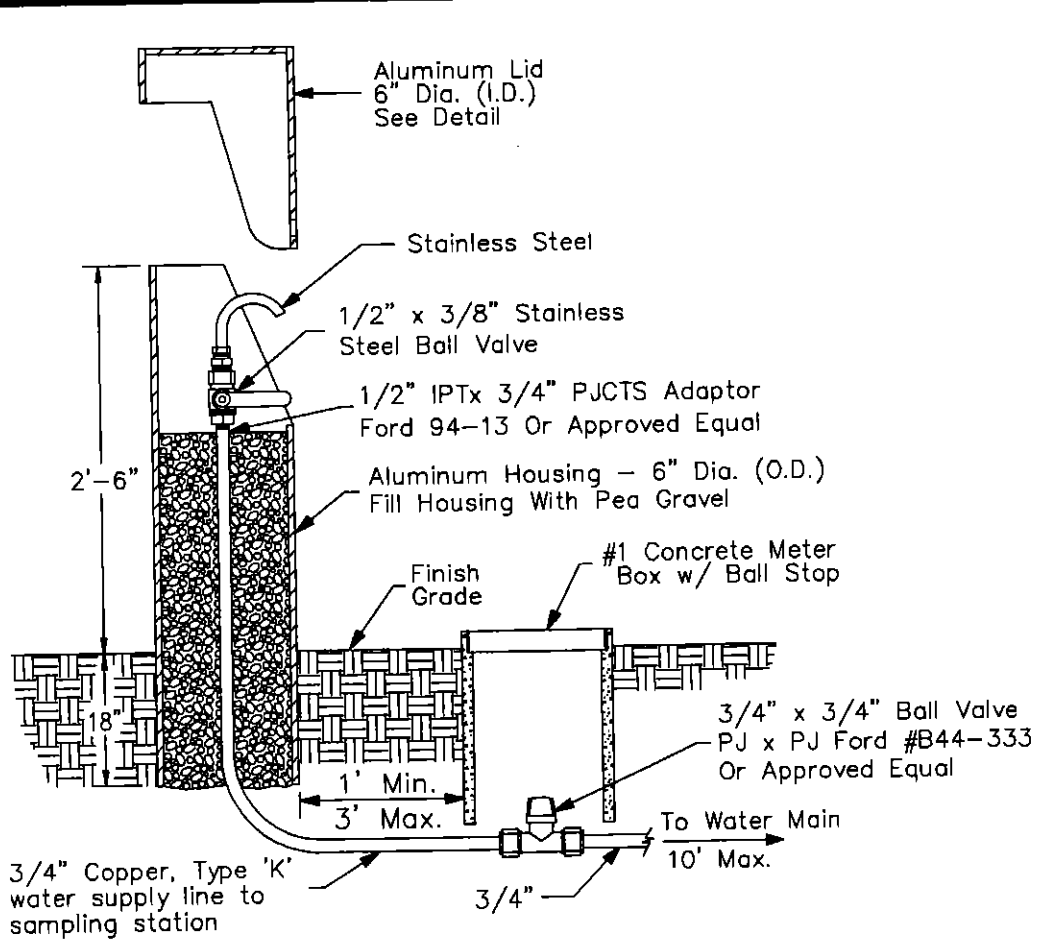
2" CURB STOP, PACK JOINT X IPT

DETAIL NO. 2348

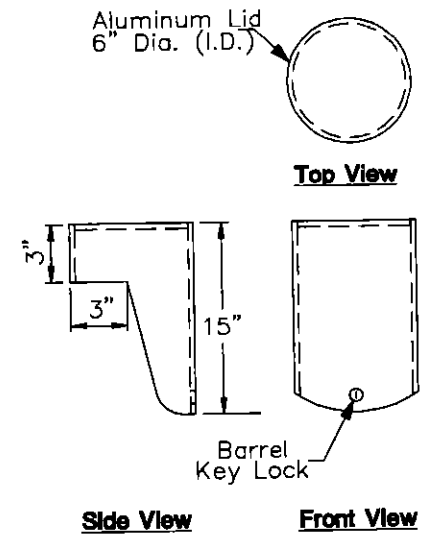
City of Scottsdale Standard Details

2" AIR/VACUUM RELEASE VALVE

DETAIL NO. 2348



TYPICAL INSTALLATION
N.T.S.



LID DETAILS
N.T.S.

- NOTES:**
1. Water Quality Sampling Station to be Korlean or approved equal.
 2. Keys to locks shall be delivered to City of Scottsdale Water Quality Department upon acceptance.

DETAIL NO.
2349

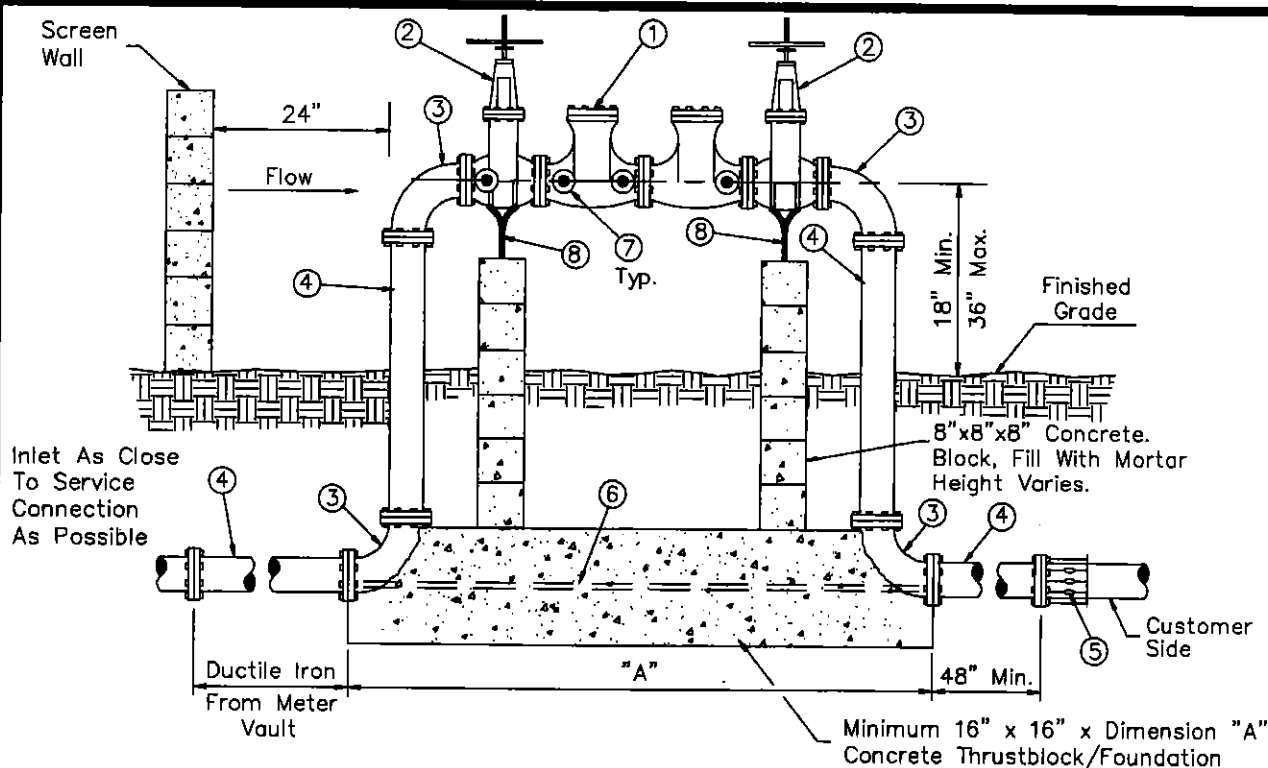
**City of Scottsdale
Standard Details**

APPROVED BY:
Scottsdale Standards &
Specifications Committee

WATER QUALITY SAMPLING STATION

DETAIL NO.
2349

REVISED 3/15/99



GENERAL NOTES

1. Contact the City Of Scottsdale Water And Wastewater Operations, Backflow Prevention, 312-5668, for latest list of approved back-flow prevention assemblies or certified testers.
2. Backflow preventers must be tested by a certified tester before final approval is issued.
3. Backflow preventers shall be painted light tan or a color to match the building. Do not paint the name plate or any brass parts on the assembly.
4. For backflow preventers requiring guard posts see Detail 2356. Backflow preventers enclosed by screening shall maintain a 24 inch clearance around the assembly.
5. Finished grade underneath the backflow preventer shall be at 95% compaction.
6. Backflow preventers on fire lines may require tamper switches on the shut off valves. Contact City Of Scottsdale Plan Review, Fire Dept.
7. Call for underground inspection before backfilling trench.
8. Vertical installations of assemblies on fire sprinkler systems are allowed using assemblies approved for use in the vertical position on fire systems.

LIST OF MATERIALS

- | | |
|---|---|
| <ul style="list-style-type: none"> ① Approved double check valve backflow prevention assembly. ② Resilient seated gate valve.
O.S. & Y. (fire line connection)
N.R.S. (non fire line) ③ 90° ell. Flanged D.I.P. 3" thru 10", Mega Lug or approved equal may be used on underground joints. ④ Pipe spool. Flanged D.I.P. 3" thru 10", Mega Lug or approved equal may be used on underground joints. ⑤ Flanged adapter (when required) | <ul style="list-style-type: none"> ⑥ 3/4" zinc coated threaded rod, (5/8" rod on 3" to 4" sizes), bolt to flanges as shown, typical both sides. ⑦ Test cocks with brass plugs or adaptors with caps installed. (4 required) ⑧ Adjustable metal pipe supports and concrete block supports with 1" adjusting rod and nut on assemblies 4" and larger. Install above grade. |
|---|---|

DETAIL NO.
2351

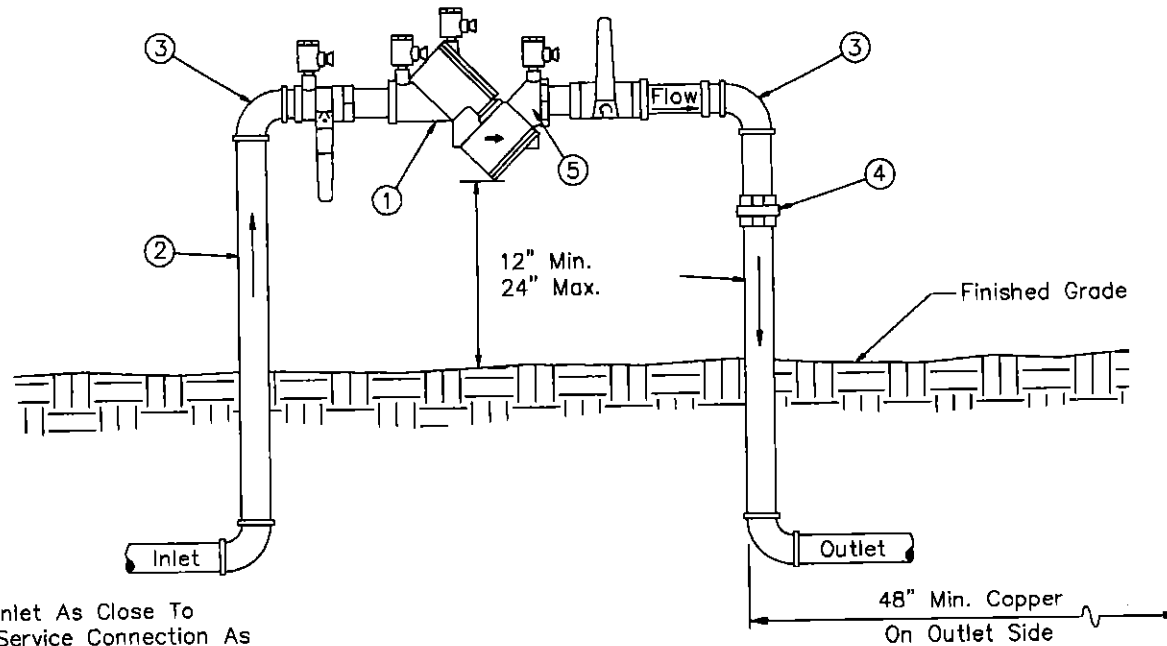
**City of Scottsdale
Standard Details**

APPROVED BY:
Scottsdale Standards &
Specifications Committee

**DOUBLE CHECK VALVE BACKFLOW PREVENTION ASSEMBLY
FOR ASSEMBLIES 3 INCHES THRU 10 INCHES**

DETAIL NO.
2351

REVISED 3/15/99



Inlet As Close To Service Connection As Possible (Immediately After Water Meter).
Copper On Inlet Side.

LIST OF MATERIALS

- ① Approved double check valve backflow prevention assembly, ball valves included.
- ② Pipe spool, type "L" hard copper, 3/4" thru 2 1/2".
- ③ 90° ell, copper, 3/4" thru 2 1/2".
- ④ Pipe union, brass or copper.
- ⑤ Test cocks with brass plugs or adaptors with caps installed. (4 required)

GENERAL NOTES

1. Contact the City Of Scottsdale Water And Wastewater Operations, Backflow Prevention, 312-5668, for latest list of approved backflow prevention assemblies or certified testers.
2. Backflow preventers must be tested by a certified tester before final approval is issued.
3. Copper fittings shall be connected with lead free solder joints.
4. Finished grade underneath the backflow preventer shall be at 95% compaction.
5. All nipples to be copper or brass.
6. Piping under the City right of way must be type "K" copper.
7. Call for underground inspection before backfilling trench.
8. Vertical installations of assemblies on fire sprinkler systems are allowed using assemblies approved for use in the vertical position on fire systems.

DETAIL NO.
2352

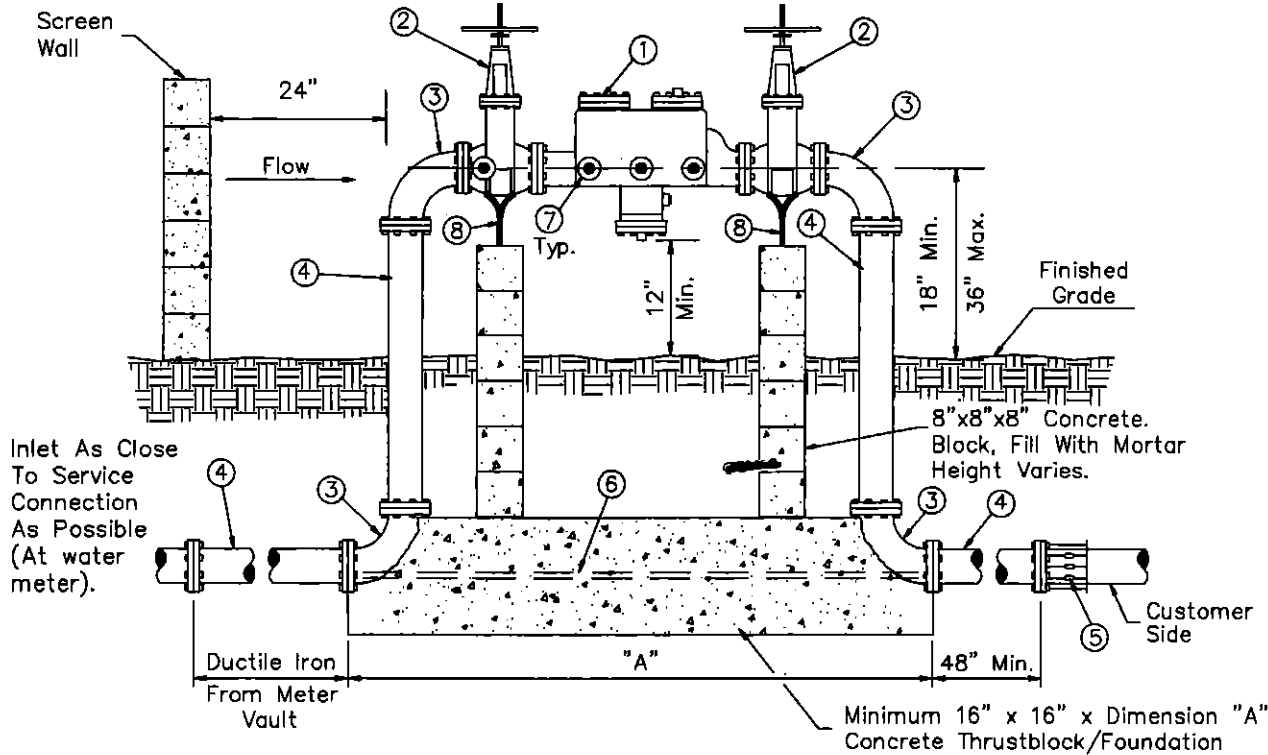
**City of Scottsdale
Standard Details**

APPROVED BY:
Scottsdale Standards &
Specifications Committee

**DOUBLE CHECK VALVE BACKFLOW PREVENTION ASSEMBLY
FOR ASSEMBLIES 3/4 INCH THRU 2 1/2 INCHES**

DETAIL NO.
2352

REVISED 3/15/99



GENERAL NOTES

1. Contact the City Of Scottsdale Water And Wastewater Operations, Backflow Prevention, 312-5668, for latest list of approved back-flow prevention assemblies or certified testers.
2. Backflow preventers must be tested by a certified tester before final approval is issued.
3. Backflow preventers shall be painted light tan or a color to match the building. Do not paint the name plate or any brass parts on the assembly.
4. For backflow preventers requiring guard posts see Detail 2356. Backflow preventers enclosed by screening shall maintain a 24 inch clearance around the assembly.
5. Finished grade underneath the backflow preventer shall be at 95% compaction.
6. Backflow preventers on fire lines may require tamper switches on the shut off valves. Contact City Of Scottsdale Plan Review, Fire Dept.
7. Call for underground inspection before backfilling trench.

LIST OF MATERIALS

- | | |
|--|---|
| <ul style="list-style-type: none"> ① Approved reduced pressure principle backflow prevention assembly. ② Resilient seated gate valve. O.S. & Y. (fire line connection). N.R.S. (non fire line) ③ 90° ell. Flanged D.I.P. 3" thru 10", Mega Lug or approved equal may be used on underground joints. ④ Pipe spool. Flanged D.I.P. 3" thru 10", Mega Lug or approved equal may be used on underground joints. ⑤ Flanged adapter (when required) | <ul style="list-style-type: none"> ⑥ 3/4" zinc coated threaded rod, (5/8" rod on 3" to 4" sizes), bolt to flanges as shown, typical both sides. ⑦ Test cocks with brass plugs or adaptors with caps installed. (4 required) ⑧ Adjustable metal pipe supports and concrete block supports with 1" adjusting rod and nut on assemblies 4" and larger. Install above grade. |
|--|---|

DETAIL NO.
2353

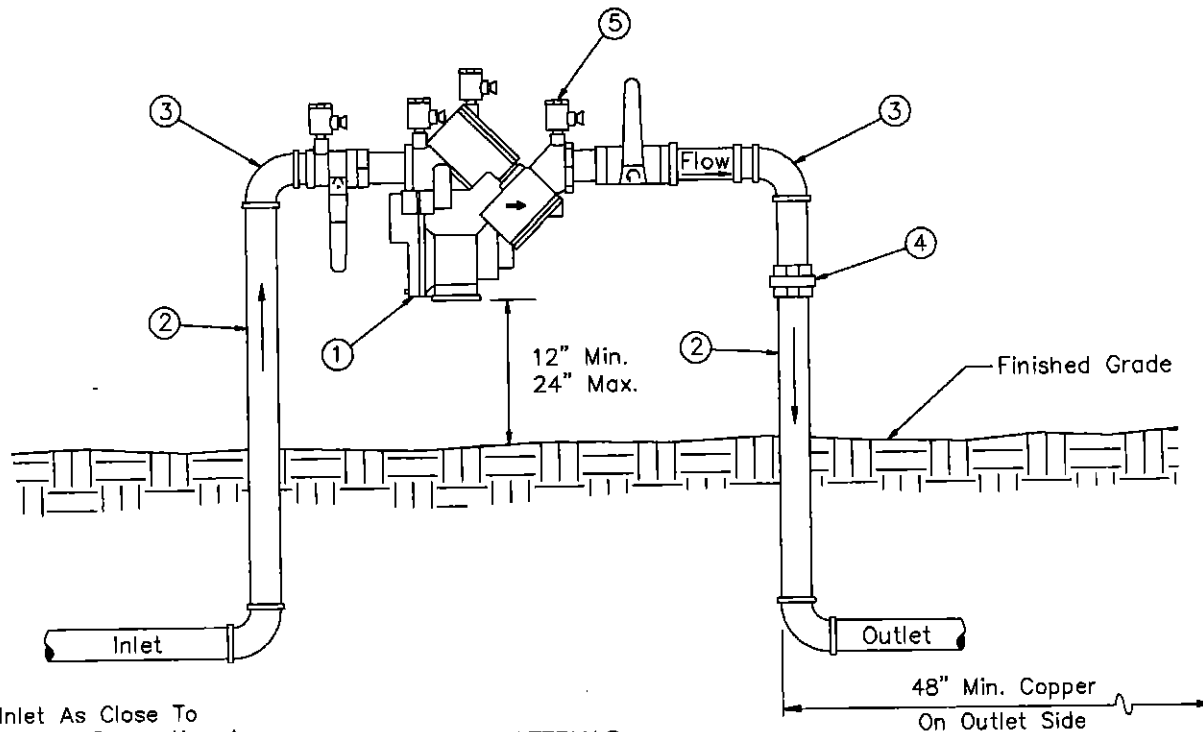
**City of Scottsdale
Standard Details**

APPROVED BY:
Scottsdale Standards &
Specifications Committee

**REDUCED PRESSURE PRINCIPLE BACKFLOW PREVENTION
ASSEMBLY FOR ASSEMBLIES 3 INCHES THRU 10 INCHES**

DETAIL NO.
2353

REVISED 3/15/99



Inlet As Close To Service Connection As Possible (Immediately After Water Meter).
Copper On Inlet Side.

LIST OF MATERIALS

- ① Approved reduced pressure principle backflow prevention assembly, ball valves included.
- ② Pipe spool, type "L" hard copper, 3/4" thru 2 1/2".
- ③ 90° ell, copper, 3/4" thru 2 1/2".
- ④ Pipe union, brass or copper.
- ⑤ Test cocks with brass plugs or adaptors with caps installed. (4 Required)

GENERAL NOTES

- 1. Contact the City Of Scottsdale Water And Wastewater Operations, Backflow Prevention 312-5668, for latest list of approved backflow prevention assemblies or certified testers.
- 2. Backflow preventers must be tested by a certified tester before final approval is issued.
- 3. Copper fittings shall be connected with lead free solder joints.
- 4. Finished grade underneath the backflow preventer shall be at 95% compaction.
- 5. All nipples to be copper or brass.
- 6. Piping under the City right of way must be type "K" copper.
- 7. Call for underground inspection before backfilling trench.

DETAIL NO.
2354

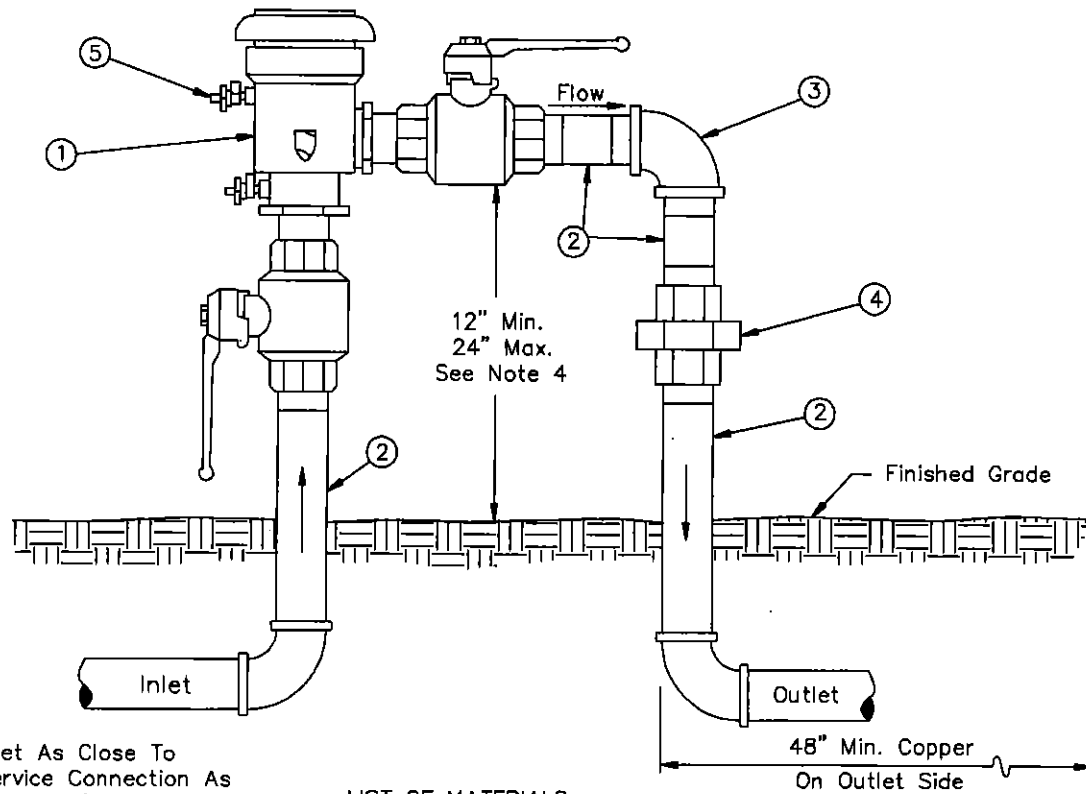
**City of Scottsdale
Standard Details**

APPROVED BY:
Scottsdale Standards &
Specifications Committee

**REDUCED PRESSURE PRINCIPLE BACKFLOW PREVENTION
ASSEMBLY FOR ASSEMBLIES 3/4 INCH THRU 2 1/2 INCHES**

DETAIL NO.
2354

REVISED 3/15/99



Inlet As Close To Service Connection As Possible (Immediately After Water Meter).
Copper On Inlet Side.

LIST OF MATERIALS

- ① Approved pressure vacuum breaker assembly, ball valves included.
- ② Pipe spool, type "L" hard copper, 1/2" thru 2".
- ③ 90° ell, copper, 1/2" thru 2".
- ④ Pipe union, brass or copper.
- ⑤ Test cocks with brass plugs or adaptors with caps installed. (2 required)

GENERAL NOTES

- 1. Contact the City Of Scottsdale Water And Wastewater Operations, Backflow Prevention, 312-5668, for latest list of approved back-flow prevention assemblies or certified testers.
- 2. Backflow preventers must be tested by a certified tester before final approval is issued.
- 3. Pressure vacuum breakers must be installed at least 12" above all downstream piping.
- 4. If this distance exceeds 24 inches, a reduced pressure principle backflow prevention assembly must be utilized. See Detail 2354.
- 5. Copper fittings shall be connected with lead-free solder joints.
- 6. Finished grade underneath the backflow preventer shall be at 95% compaction.
- 7. All nipples to be copper or brass.
- 8. Piping under the City right of way must be type "K" copper.
- 9. Call for underground inspection before backfilling trench.

DETAIL NO.
2355

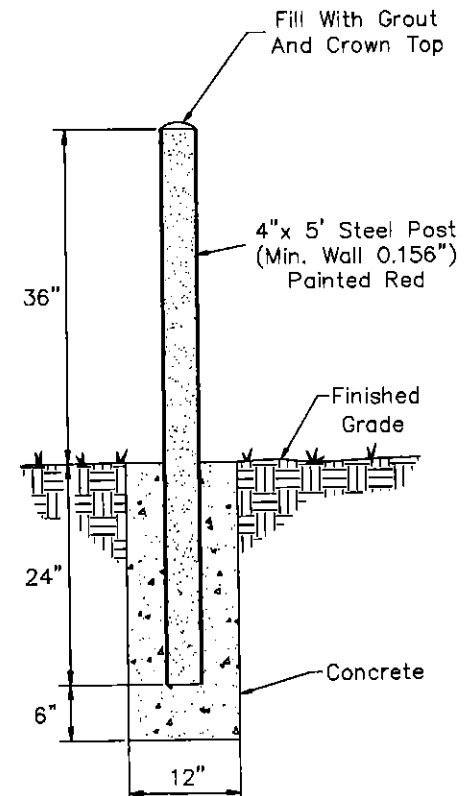
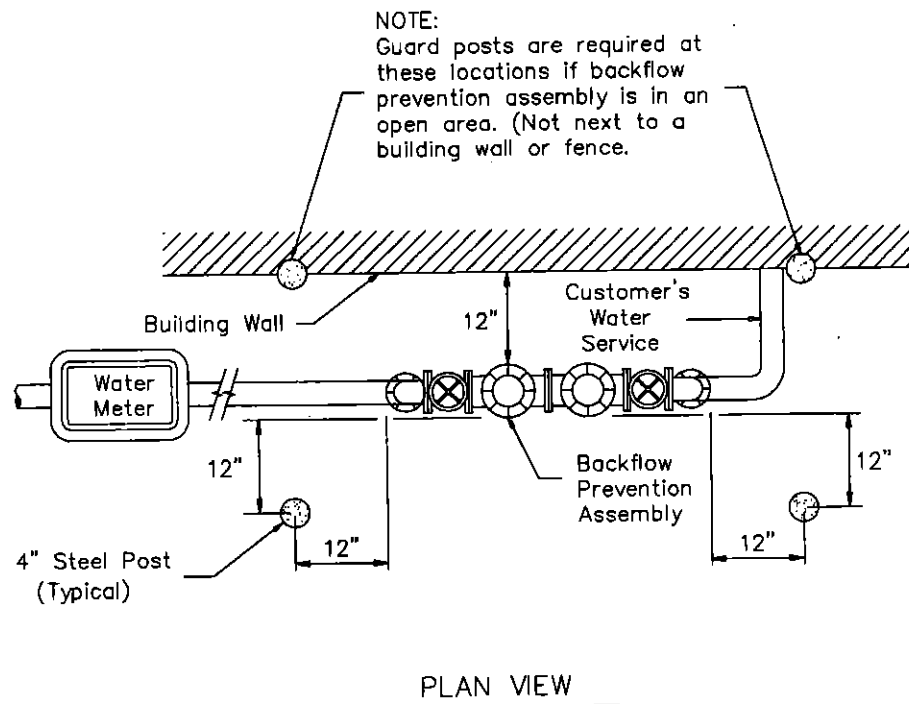
**City of Scottsdale
Standard Details**

APPROVED BY:
Scottsdale Standards &
Specifications Committee

**PRESSURE VACUUM BREAKER ASSEMBLY
FOR ASSEMBLIES 1/2 INCH THRU 2 INCHES**

DETAIL NO.
2355

REVISED 2/09/99



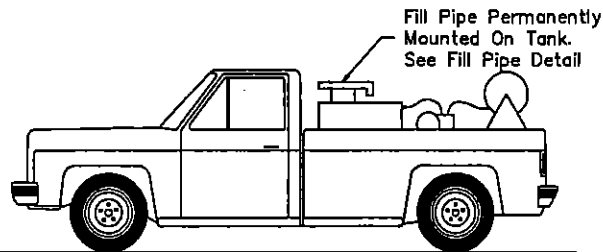
DETAIL NO.
2356

City of Scottsdale
Standard Details

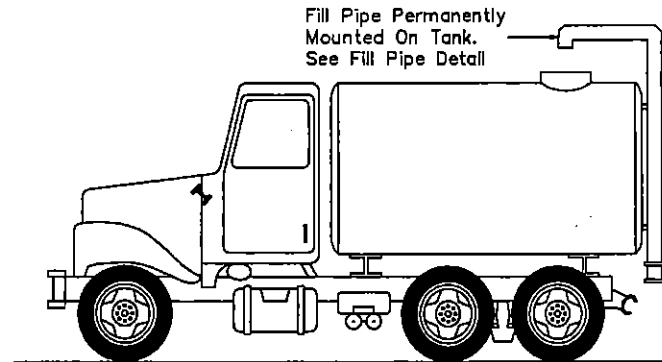
APPROVED BY:
Scottsdale Standards &
Specifications Committee

GUARD POSTS FOR BACKFLOW PREVENTION ASSEMBLIES

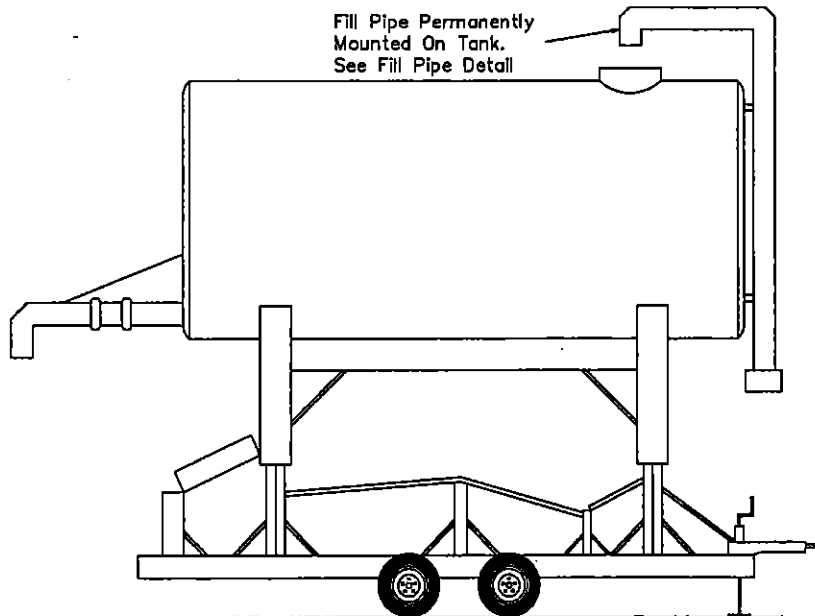
DETAIL NO.
2356



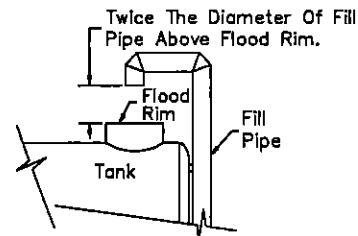
PESTICIDE APPLICATOR TRUCK



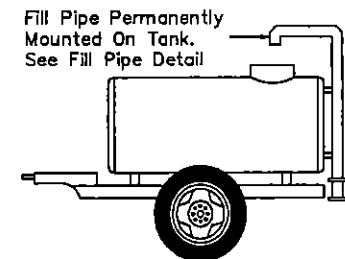
WATER TRUCK



ELEVATED TANK



FILL PIPE DETAIL



WATER WAGON

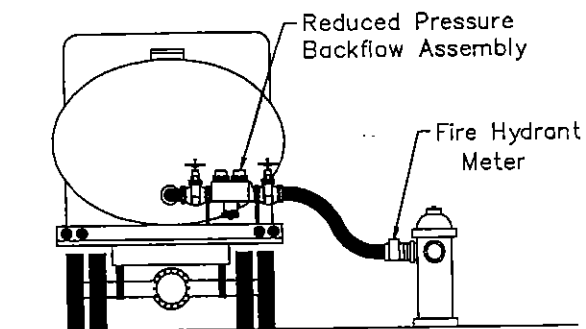
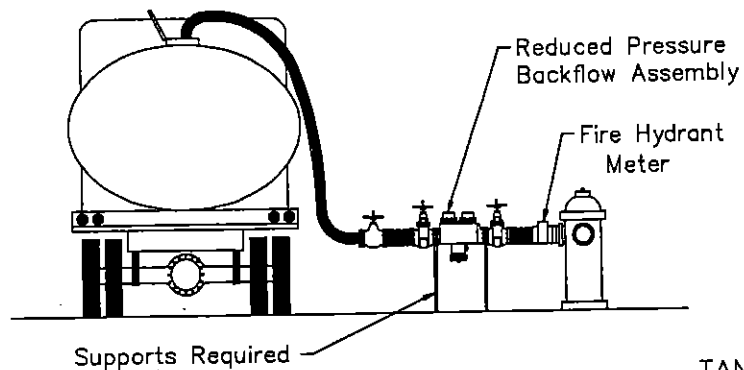
DETAIL NO.
2357

City of Scottsdale
Standard Details

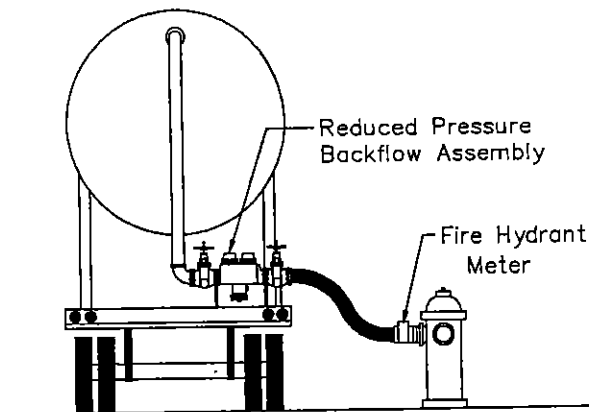
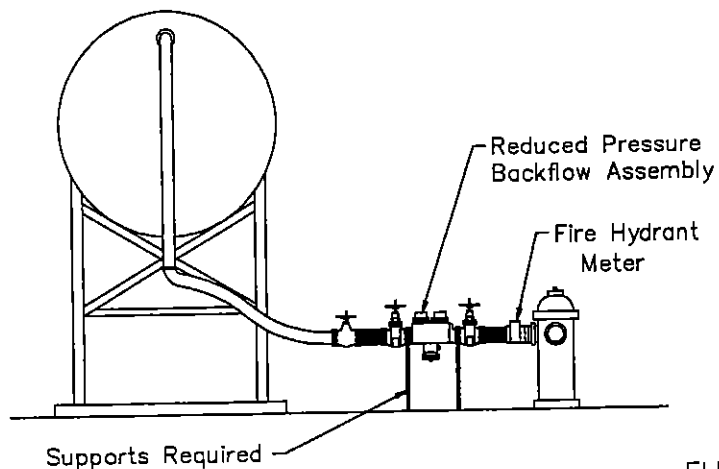
APPROVED BY:

FILL PIPE DETAILS FOR PORTABLE TANKS WITH
AIR GAP SEPARATION

DETAIL NO.
2357



TANK TRUCKS



ELEVATED TANKS

DETAIL NO.
2358

City of Scottsdale
Standard Details

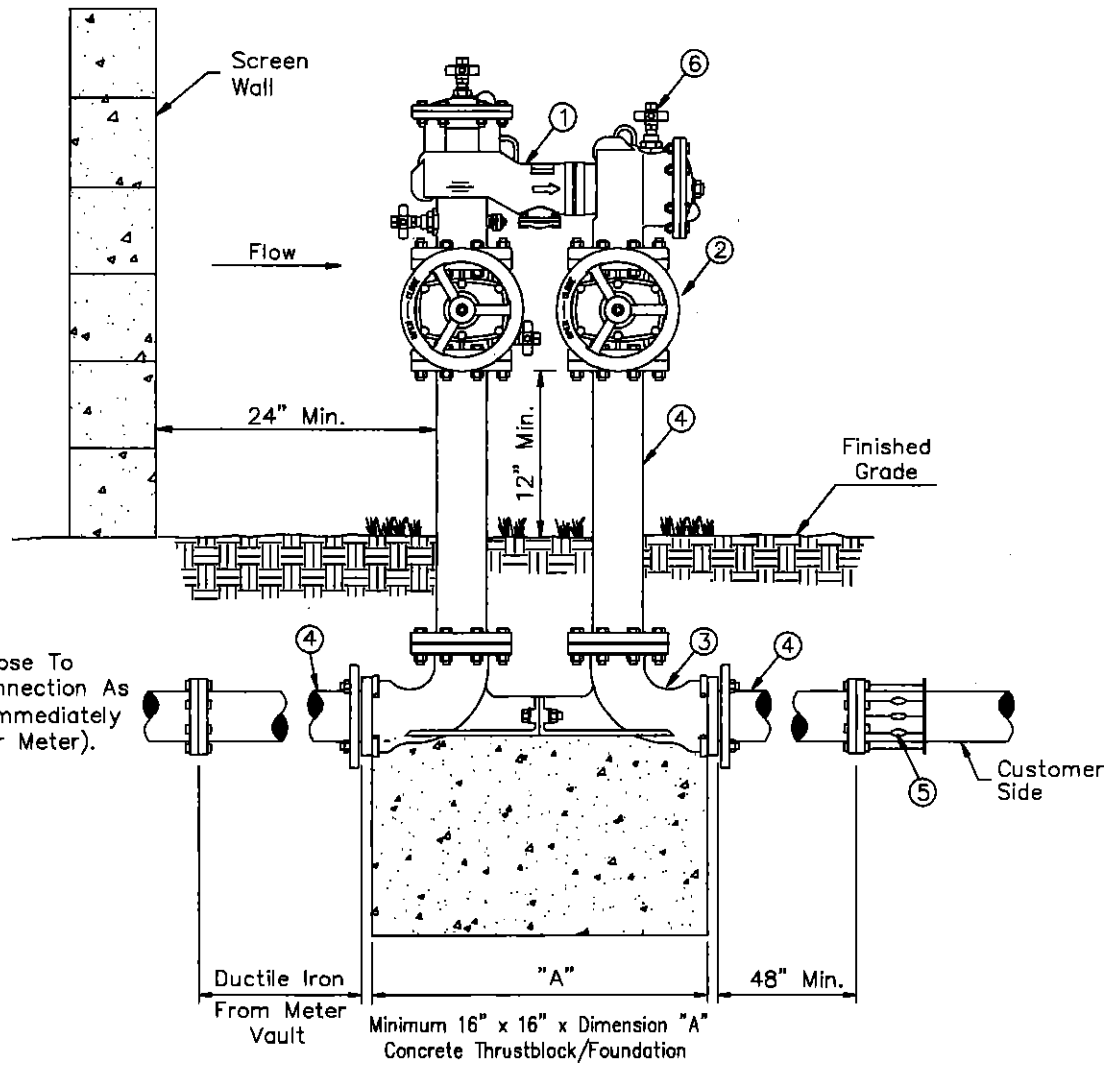
APPROVED BY

W. Cray

BACKFLOW PREVENTION METHOD FOR PORTABLE TANKS
WITH NO AIR GAP SEPARATION

DETAIL NO.
2358

REVISED 3/15/99



GENERAL NOTES

1. Contact the City Of Scottsdale Water And Wastewater Operations, Backflow Prevention, 312-5668, for latest list of approved backflow prevention assemblies or certified testers.
2. Backflow preventers must be tested by a certified tester before final approval is issued.
3. Backflow preventers shall be painted light tan or a color to match the building. Do not paint the name plate or any brass parts on the assembly.
4. For backflow preventers requiring guard posts see Detail 2356. Backflow preventers enclosed by screening shall maintain a 24 inch clearance around the assembly.
5. Finished grade underneath the backflow preventer shall be at 95% compaction.
6. Backflow preventers on fire lines may require tamper switches on the shut off valves. Contact City Of Scottsdale Plan Review, Fire Dept.
7. Call for underground inspection before backfilling trench.

LIST OF MATERIALS

- ① Approved "N" shape double check valve backflow prevention assembly.
- ② Resilient seated gate valve.
O.S. & Y. (fire line connection)
N.R.S. (non fire line)
- ③ Valve setters, fusion epoxy coated ductile iron, plated nuts and bolts. (2 required)
- ④ Pipe spool. Flanged D.I.P. 3" thru 10", Mega Lug or approved equal may be used on underground joints.
- ⑤ Flanged adapter (when required)
- ⑥ Test cocks with brass plugs or adaptors with caps installed. (4 required)

DETAIL NO.
2359

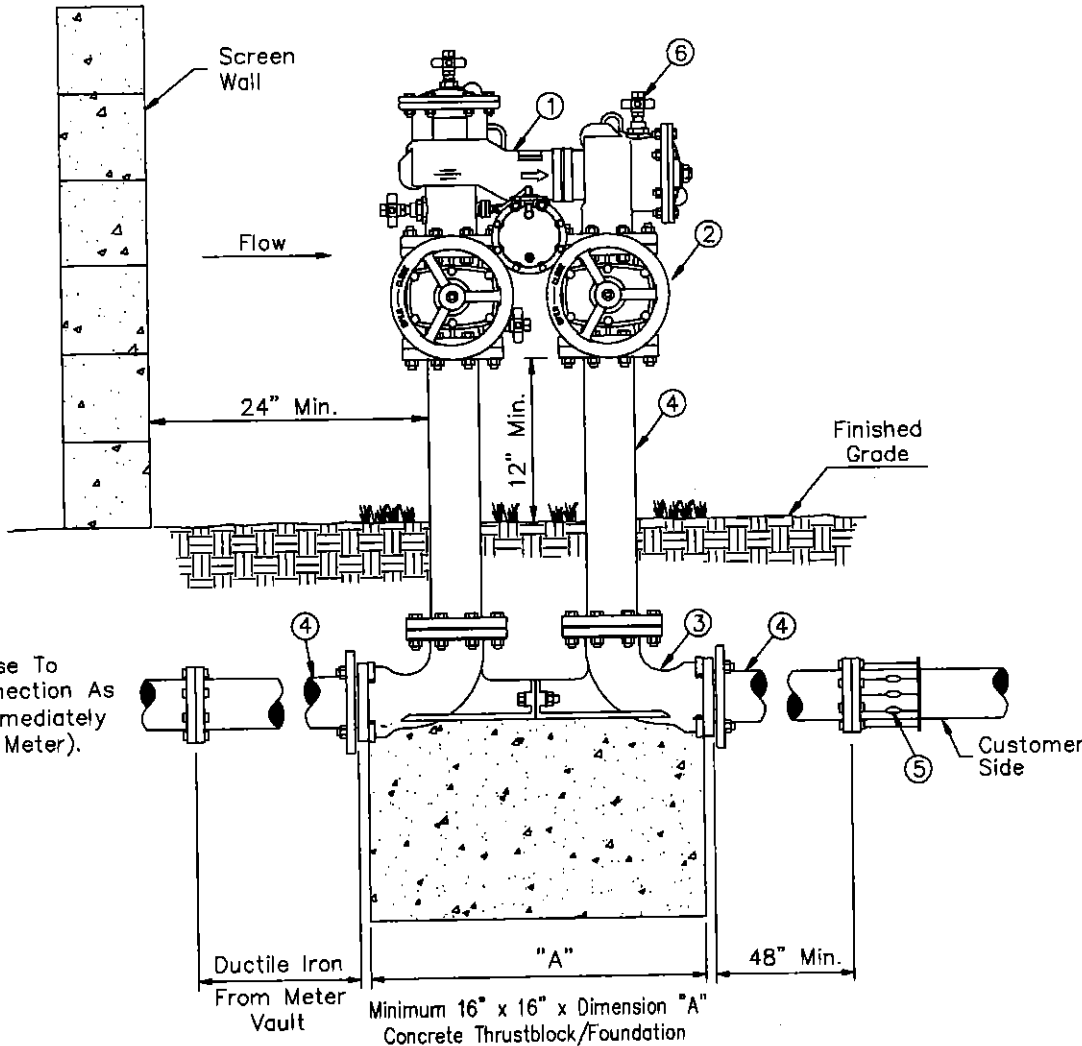
**City of Scottsdale
Standard Details**

APPROVED BY:
Scottsdale Standards &
Specifications Committee

**"N" SHAPED DOUBLE CHECK VALVE BACKFLOW PREVENTION
ASSEMBLY FOR ASSEMBLIES 3 INCHES THRU 10 INCHES**

DETAIL NO.
2359

REVISED 3/15/99



Inlet As Close To Service Connection As Possible (Immediately After Water Meter).

GENERAL NOTES

1. Contact the City Of Scottsdale Water And Wastewater Operations, Backflow Prevention, 312-5668, for latest list of approved backflow prevention assemblies or certified testers.
2. Backflow preventers must be tested by a certified tester before final approval is issued.
3. Backflow preventers shall be painted light tan or a color to match the building. Do not paint the name plate or any brass parts on the assembly.
4. For backflow preventers requiring guard posts see Detail 2356. Backflow preventers enclosed by screening shall maintain a 24 inch clearance around the assembly.
5. Finished grade underneath the backflow preventer shall be at 95% compaction.
6. Backflow preventers on fire lines may require tamper switches on the shut off valves. Contact City Of Scottsdale Plan Review, Fire Dept.
7. Call for underground inspection before backfilling trench.

LIST OF MATERIALS

- ① Approved "N" shape reduced pressure principle backflow prevention assembly.
- ② Resilient seated gate valve.
O.S. & Y. (fire line connection)
N.R.S. (non fire line)
- ③ Valve setters, fusion epoxy coated ductile iron, plated nuts and bolts. (2 required)
- ④ Pipe spool. Flanged D.I.P. 3" thru 10", Mega Lug or approved equal may be used on underground joints.
- ⑤ Flanged adapter (when required)
- ⑥ Test cocks with brass plugs or adaptors with caps installed. (4 required)

DETAIL NO.
2360

**City of Scottsdale
Standard Details**

APPROVED BY:
Scottsdale Standards &
Specifications Committee

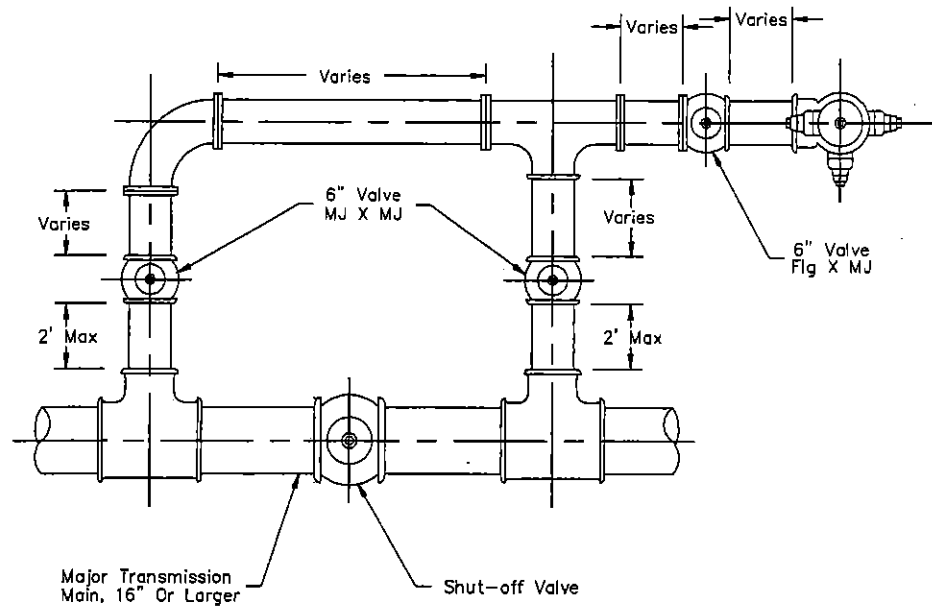
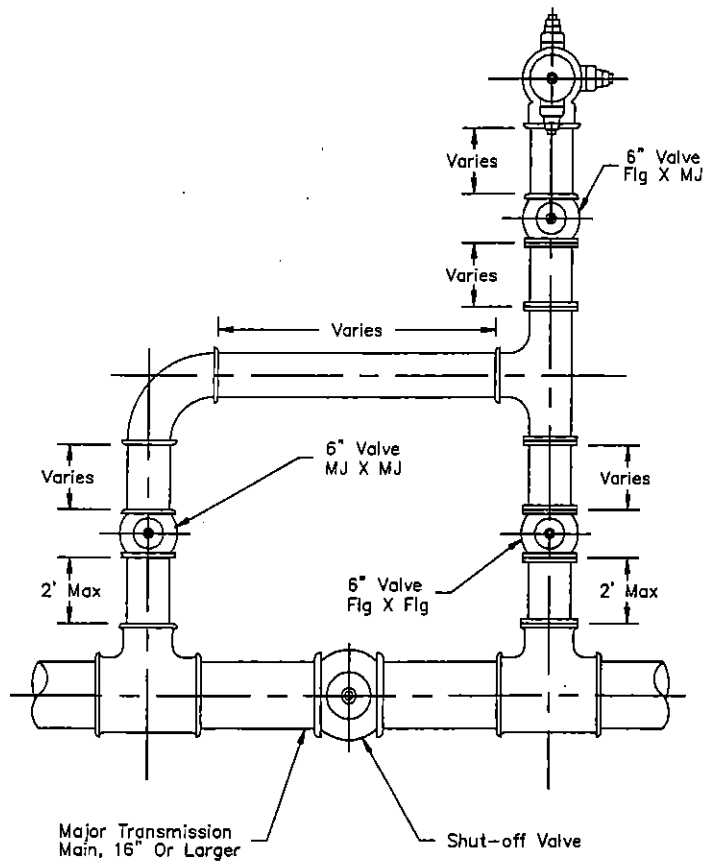
**N' SHAPED REDUCED PRESSURE PRINCIPLE BACKFLOW PREVENTION
ASSEMBLY FOR ASSEMBLIES 3 INCHES THRU 10 INCHES**

DETAIL NO.
2360

REVISED 7/20/95

NOTES

1. All joints in hydrant run-out to be restrained joints.
2. See MAG Std. Detail 391-C for valve box installation.
3. For water valve blocking see MAG Std. Detail 301.
4. For additional information see MAG Std. Detail 360.



DETAIL NO.
2361

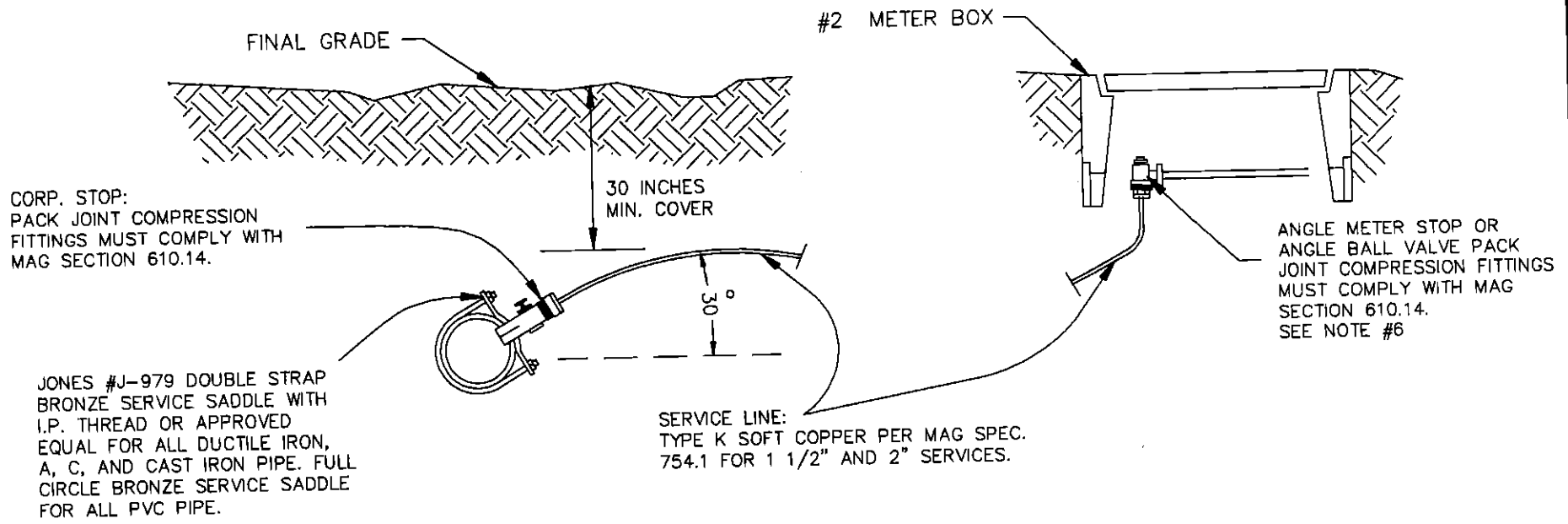
City of Scottsdale
Standard Details

APPROVED BY

FIRE HYDRANT BYPASS ASSEMBLY

DETAIL NO.
2361

REVISED 4/7/00



- NOTE:
1. All taps must be made using a service saddle.
 2. All service line sizes shall have the pack joint compression fittings for corp. stops and meter stops.
 3. Where a contractor is installing new water lines, he shall also install the water service connection. The installation shall include the service saddle, corp. stop, service pipe, appurtenant fittings, meter stop, concrete meter box and box cover, per M.A.G. Specifications.
 4. Copper service lines in the 1 1/2", and 2" sizes that cross streets will be one continuous piece. Only with the express written consent of Water & Wastewater Operations will joints be permitted under a road. When this occurs, pack joint fittings will be required; no soldered joints will be permitted.
 5. When all or part of a development is to be served by existing City of Scottsdale water mains, only authorized City of Scottsdale Water and Wastewater Operations personnel shall install the fire service connection.
 6. Fire Department Identification Tag is required. Water resistant tag shall be affixed to valve in meter box and shall state: "DO NOT CLOSE! Fire Sprinkler Supply Line".

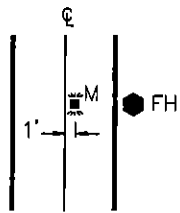
DETAIL NO.
2362

**City of Scottsdale
Standard Details**

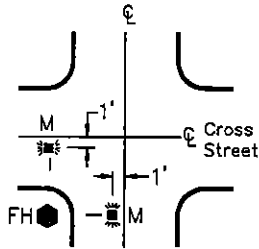
1 1/2" - 2" FIRE LINE CONNECTION

DETAIL NO.
2362

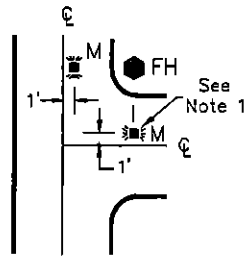
REVISED 6/15/91



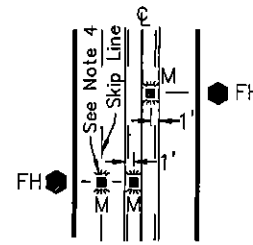
Midblock Local



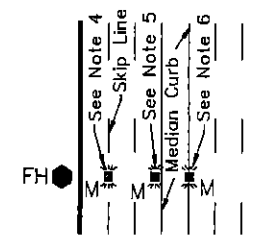
Local Cross Intersection



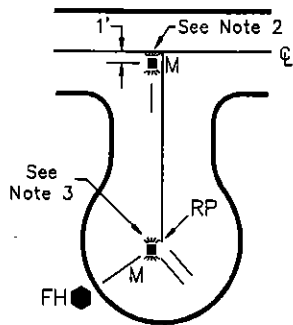
Local T Intersection



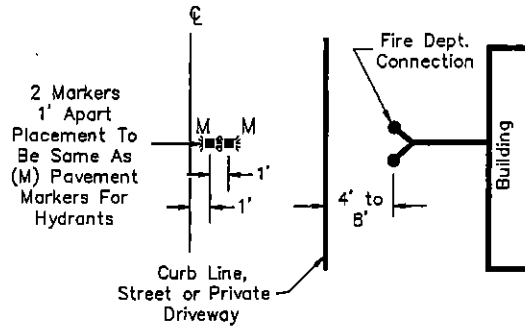
Midblock WITH CENTER LANE OR SKIP LINES



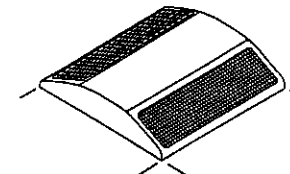
Midblock WITH RAISED MEDIAN



Cul-De-Sac Street



Fire Dept. Connection



(M) Pavement Marker
(2-WAY REFLECTIVE BLUE)

NOTES:

1. Not Required on Dead End Streets Without Hydrants
2. Place on Hydrant Side of Centerline.
3. Not Required When Cul-De-Sac is Less Than 250'.
4. To Be Placed in Line With Skip Line.
5. Place on Gutter or Adjacent To Curb.
6. Place on Top of Curb. (This Location Optional)
7. Pavement Markers Shall Not Be Placed Within One Foot of A Paint Line (Center to Center).

DETAIL NO.
2363

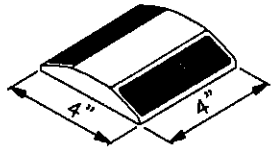
City of Scottsdale
Standard Details

APPROVED BY:

PAVEMENT MARKERS FOR FIRE HYDRANTS

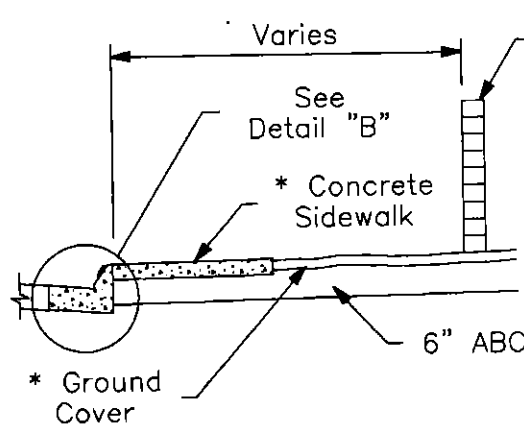
DETAIL NO.
2363

REVISED 3/17/99

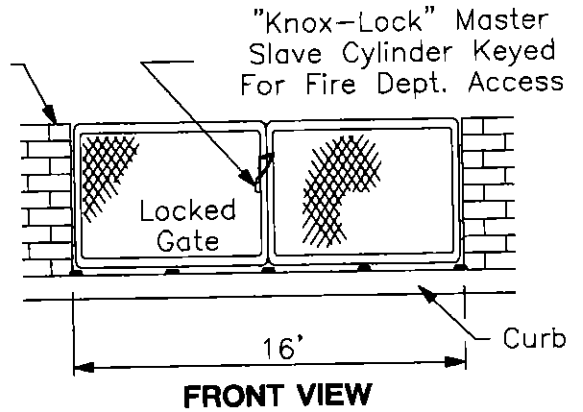


Type M Pavement Marker
(2-WAY REFLECTIVE BLUE)

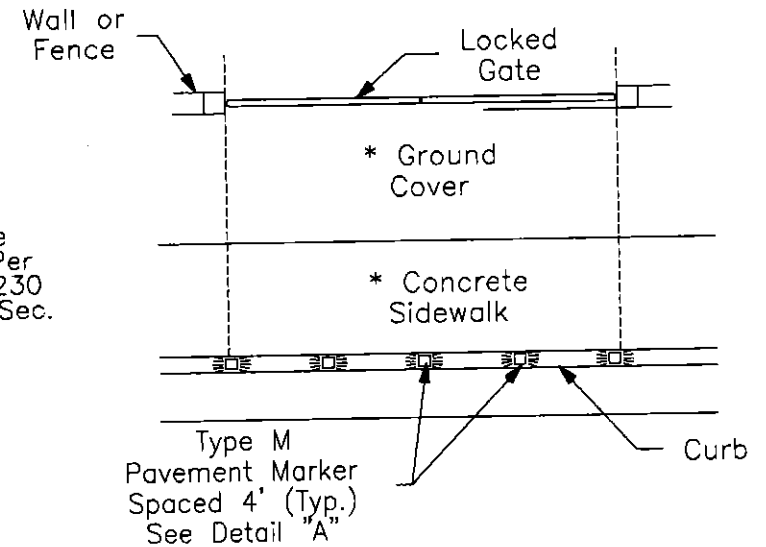
DETAIL "A"



SIDE VIEW

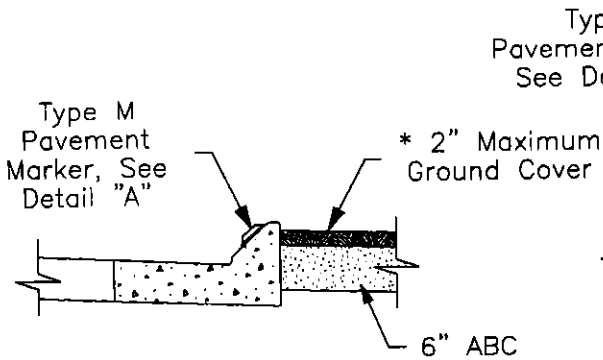


FRONT VIEW

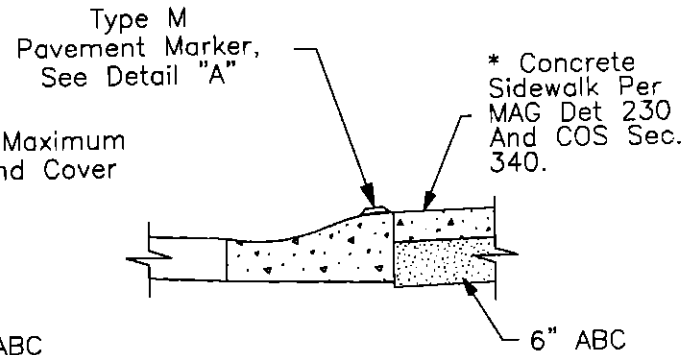


TOP VIEW

* NOTE:
Sidewalk And/Or 2"
Max. Ground Cover
Over Min. 6" ABC



**TYPE "M" MOUNTABLE
CURB AND GUTTER**



ROLL CURB

DETAIL "B"

DETAIL NO.
2364

**City of Scottsdale
Standard Details**

APPROVED BY:
Scottsdale Standards &
Specifications Committee

FIRE AND EMERGENCY ACCESS AND DELINEATION

DETAIL NO.
2364

REVISED 2/26/01



NOTES:

1. At the beginning and end of the fire lane, the sign shall have a single headed arrow pointing in the direction the regulation is in effect. The intermediate signs shall have double headed arrows pointing in both directions.
2. The maximum spacing of the signs shall be 100', contingent upon Traffic Engineering's review and approval.
3. The signs shall be set at an angle of not less than 30° nor more than 45° with the curb or line of traffic flow
4. The clearance to the bottom of the sign shall be 7 feet. There shall be no other signs attached to the sign or the sign pole.
5. The sign plate shall be a minimum of 12" x 18" with a thickness of 0.80".
6. The sign face shall have a white, ASTM Type II (super engineering grade) reflective background with a red reflective legend. Use the standard sign face number R7-32 or equivalent incorporating additional information to complete the sign as shown above.

DETAIL NO.
2365

City of Scottsdale
Standard Details

FIRE LANE SIGN

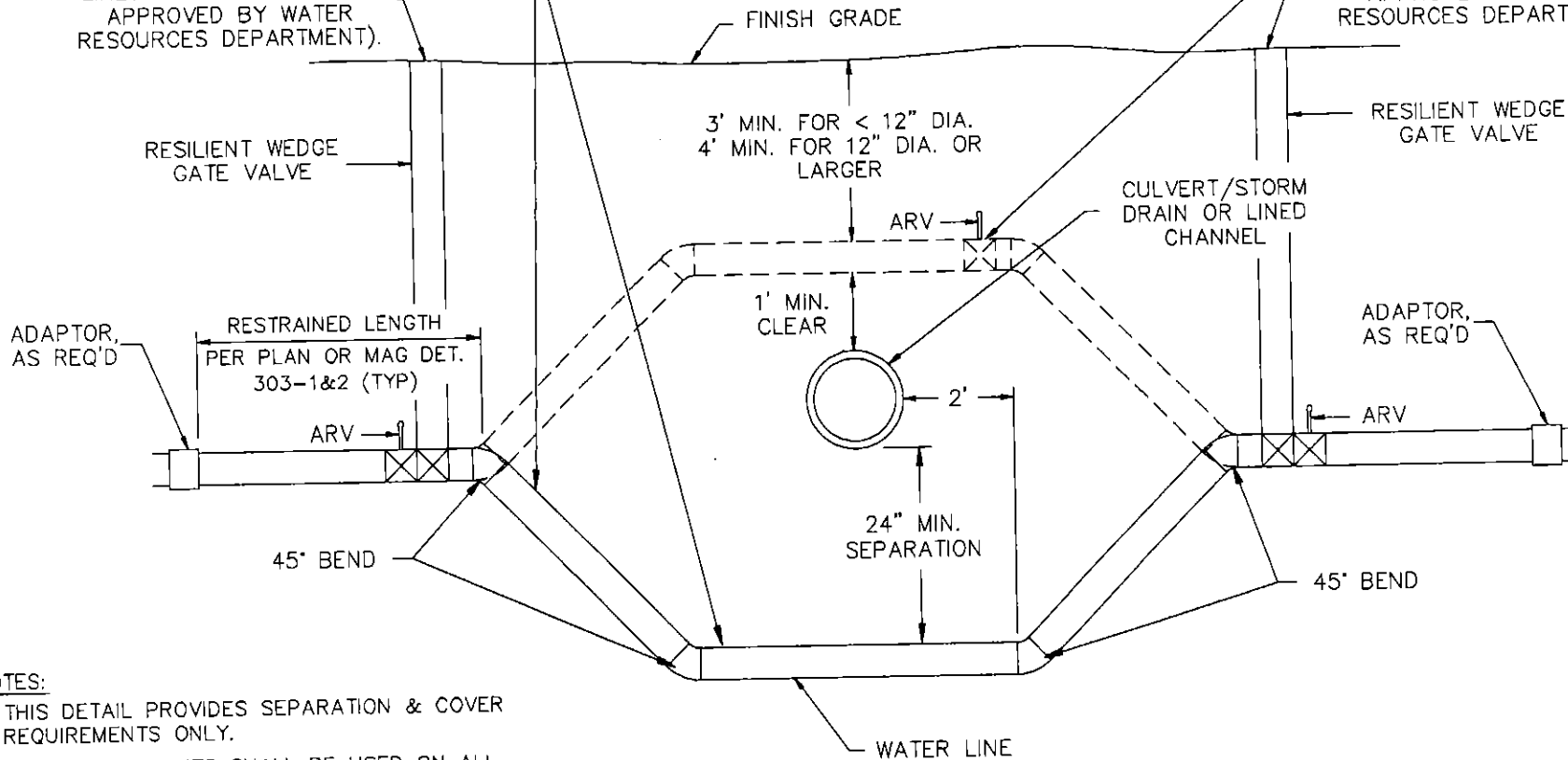
DETAIL NO.
2365

REVISED 2/27/02

AIR RELEASE AND SHUT-OFF VALVE (REQUIRED ON ALL LINES UNLESS OTHERWISE APPROVED BY WATER RESOURCES DEPARTMENT).

DUCTILE IRON PIPE. PIPE SHALL COMPLY WITH MAG SPEC'S, SECTION 750 AND SHALL HAVE POLYETHYLENE WRAP CORROSION PROTECTION PER MAG SECTION 610.5

AIR RELEASE AND SHUT-OFF VALVE (REQUIRED ON ALL LINES UNLESS OTHERWISE APPROVED BY WATER RESOURCES DEPARTMENT).



NOTES:

1. THIS DETAIL PROVIDES SEPARATION & COVER REQUIREMENTS ONLY.
2. RESTRAINED JOINTS SHALL BE USED ON ALL BENDS AND FOR THE APPROPRIATE RESTRAINT LENGTH OF PIPE PER THE MANUFACTURERS SPECIFICATION.

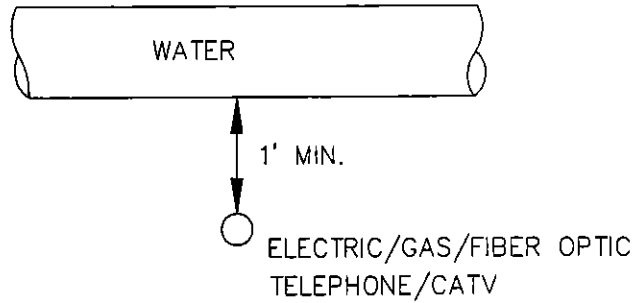
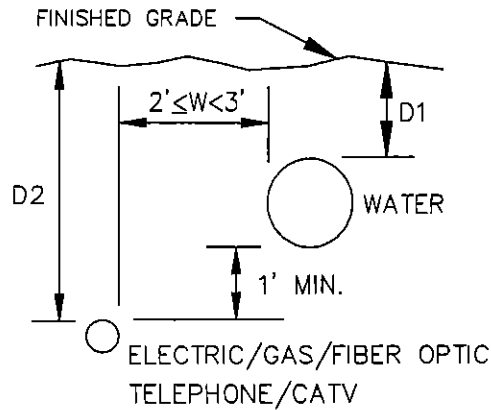
DETAIL NO. 2370

City of Scottsdale Standard Details

VERTICAL REALIGNMENT OF WATER MAINS

DETAIL NO. 2370

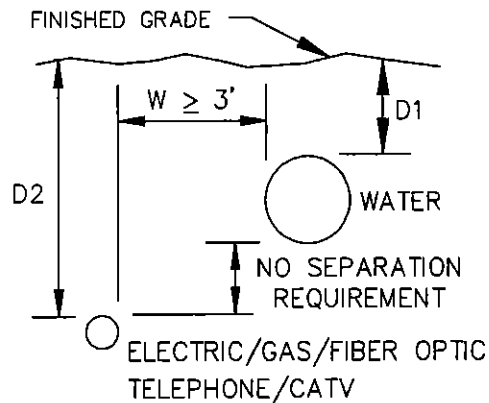
REVISED 8/29/96



CROSSING

LEGEND

- D1 = 3' Min. for pipe < 12" dia
- D1 = 4' Min. for pipe ≥ 12" dia
- D2 = Minimum Cover
- W = Horizontal Separation



NOTES

1. Electric separation requirements are for primary electric conductors only. For service conductors see plans.
2. Primary electric, gas, telephone, cable TV or fiber optic lines shall not cross above a water line without written approval from the City's Water Resources Department. If this approval is obtained, a utility locator strip and ABC slurry conforming to COS Specifications Sec. 601.3.6 are required.

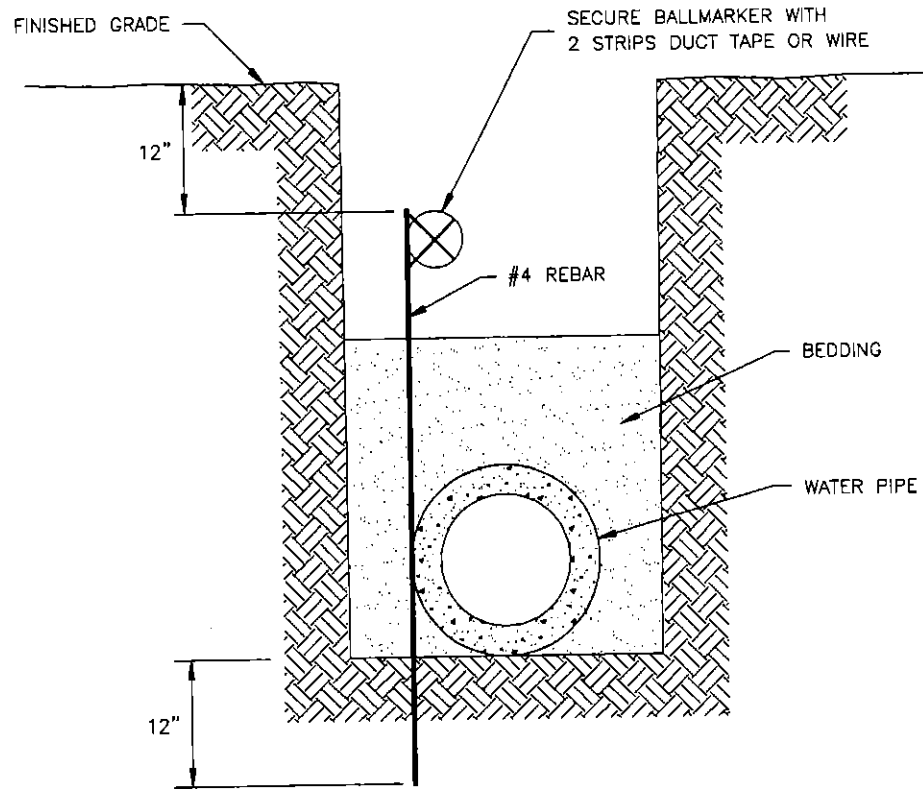
DETAIL NO.
2372

City of Scottsdale
Standard Details

APPROVED BY:
Scottsdale Standards &
Specifications Committee

MINIMUM UTILITY SEPARATION REQUIREMENTS

DETAIL NO.
2372



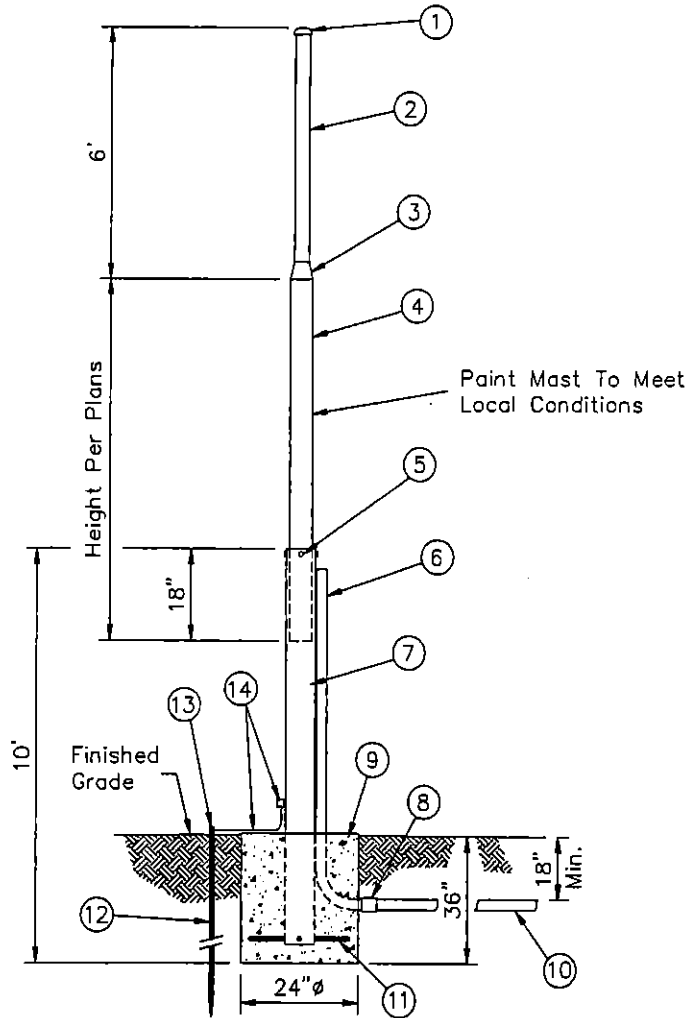
DETAIL NO.
2397

City of Scottsdale
Standard Details

ELECTRONIC BALLMARKER PLACEMENT

DETAIL NO.
2397

REVISED 1/10/94



LIST OF MATERIALS

- ① Raintight Cap
- ② 2" Galvanized Rigid Steel Conduit
- ③ 2 1/2" To 2" Galvanized Steel Reducer
- ④ 2 1/2" Galvanized Rigid Steel Conduit
- ⑤ 1/2" Set Screw (Typ. - 4 Each)
- ⑥ 1" Rigid Steel Conduit, Strap To Mast
Install Bushing On Top Of Conduit
- ⑦ 3" Galvanized Rigid Steel Conduit
- ⑧ PVC To Rigid Steel Conduit Fitting
- ⑨ Concrete Foundation, Class "B"
- ⑩ 1" PVC Conduit To Radio Transceiving Unit
- ⑪ #5 Rebar (8" Length) Welded To
3" Conduit (Typ. - 4 Each)
- ⑫ 5/8" ϕ x 8' Long Grounding Rod
- ⑬ Acorn Nut Connection
- ⑭ Ground Attached To 3" Conduit
Using Lug And Self Tapping Screw

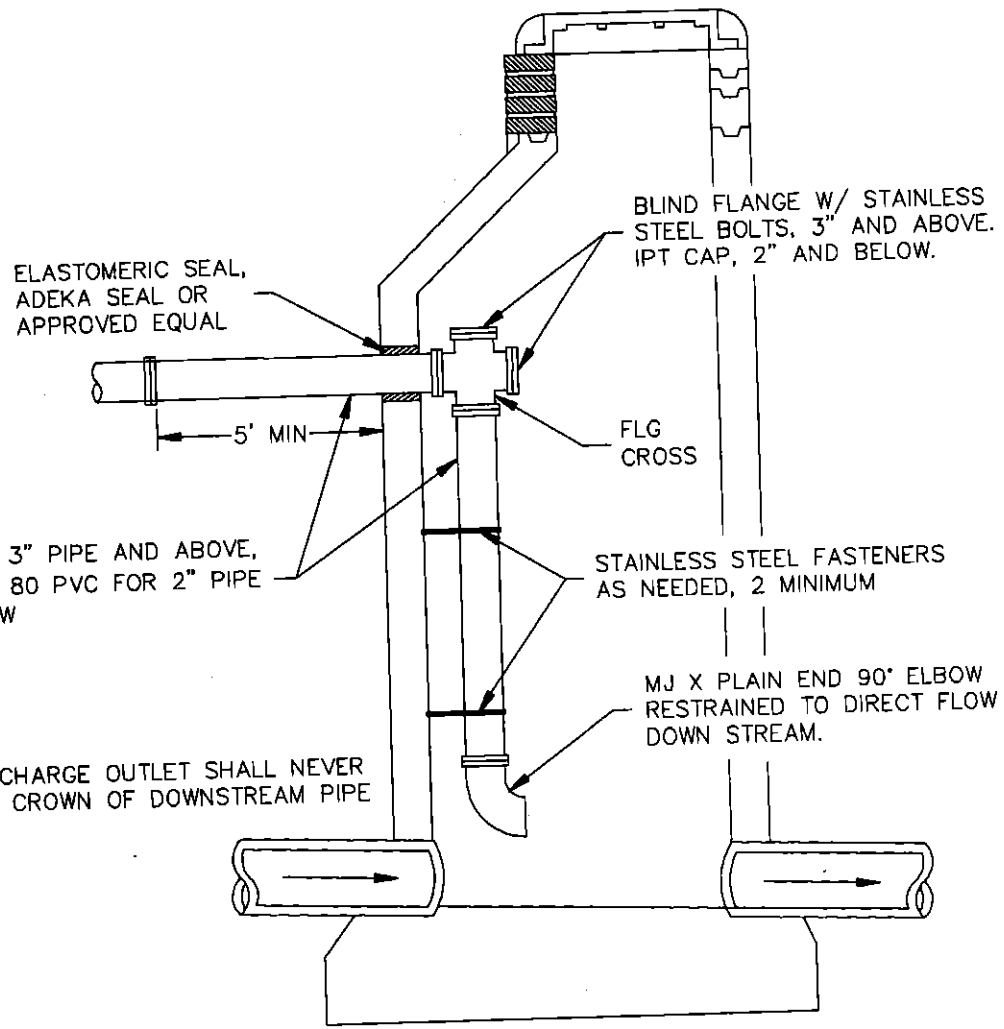
DETAIL NO.
2398

City of Scottsdale
Standard Details

APPROVED BY:

ANTENNA MAST DETAIL

DETAIL NO.
2398

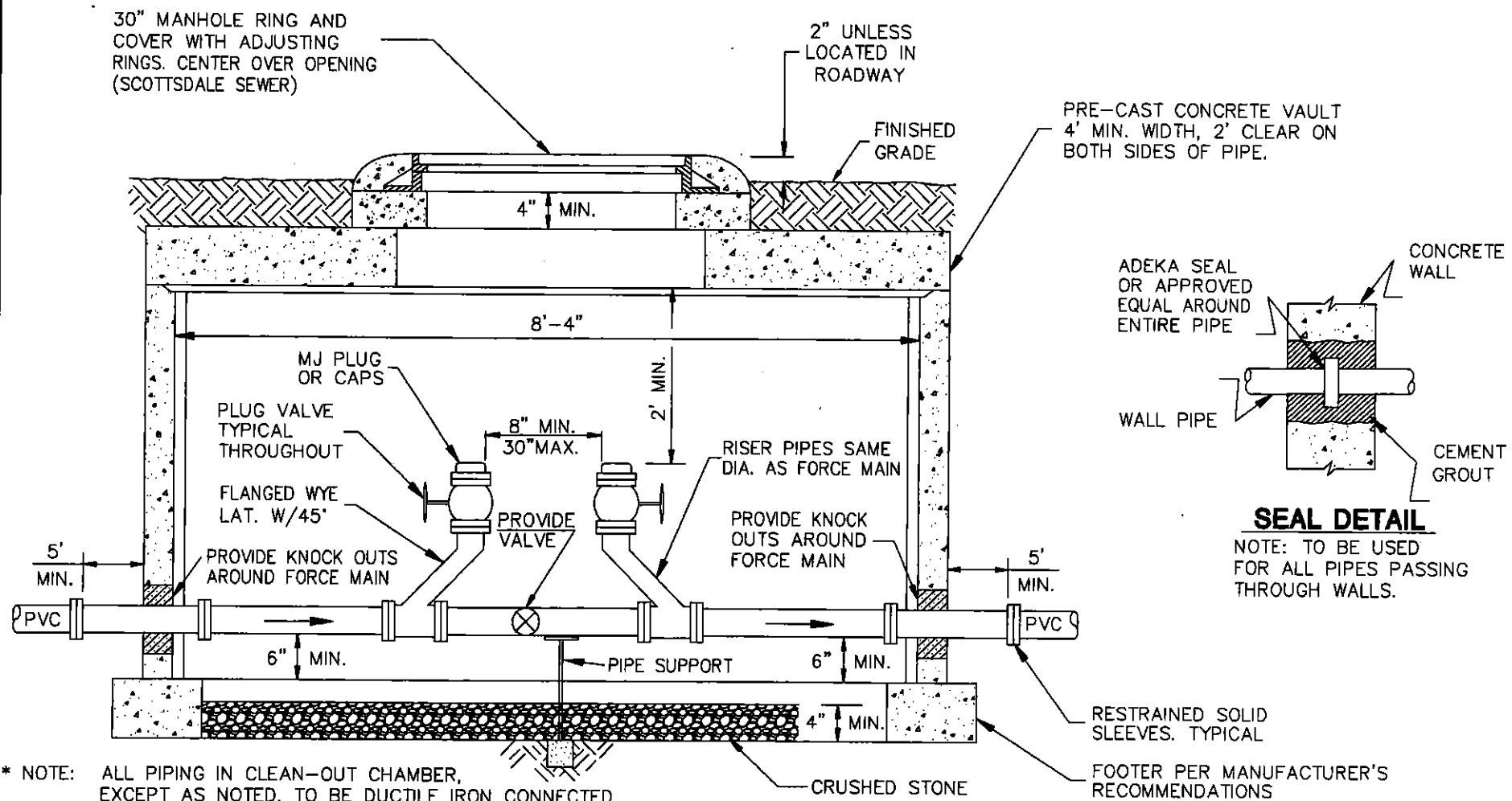


DETAIL NO.
2402

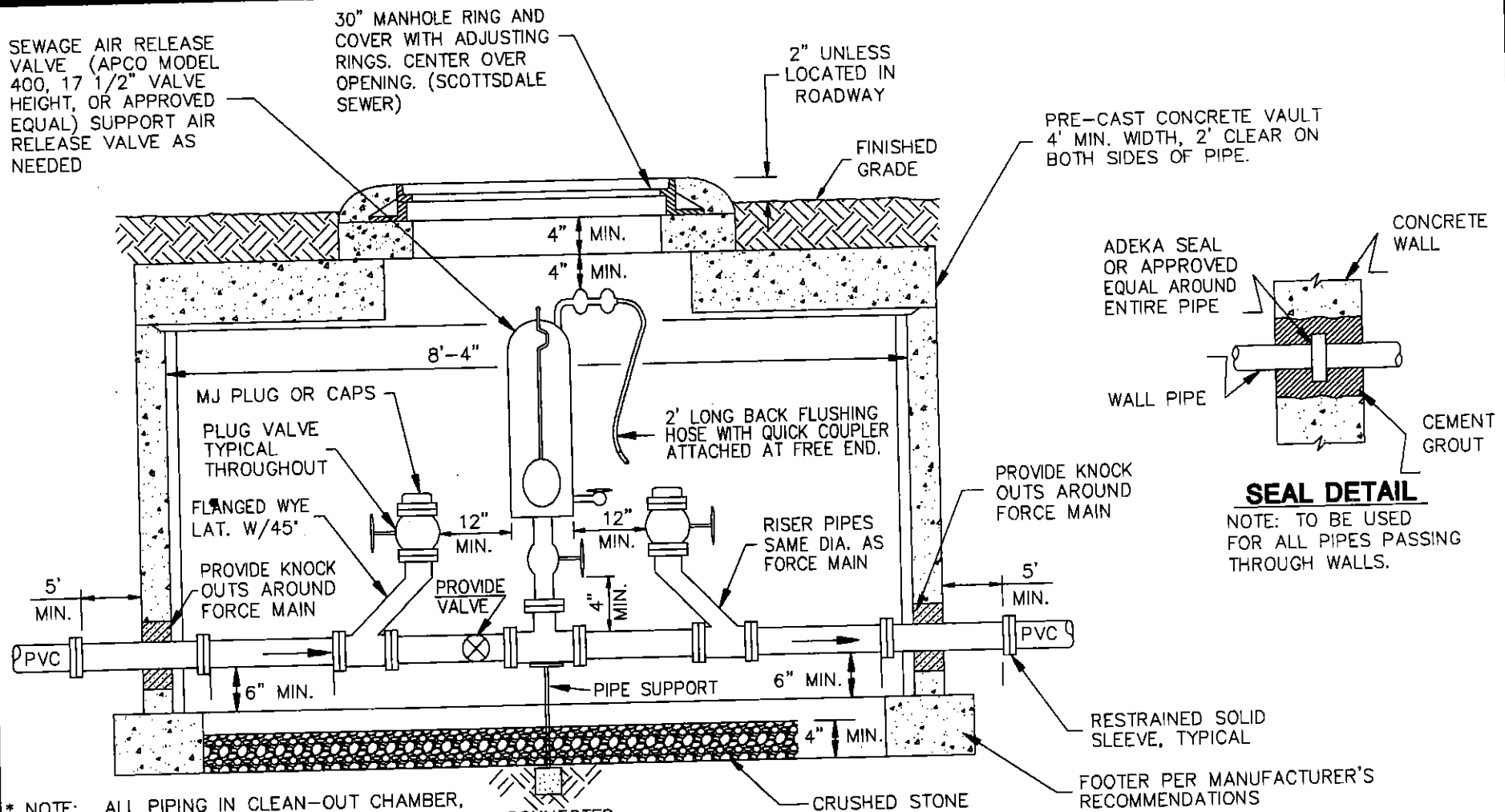
City of Scottsdale
Standard Details

FORCE MAIN DISCHARGE MANHOLE

DETAIL NO.
2402



* NOTE: ALL PIPING IN CLEAN-OUT CHAMBER, EXCEPT AS NOTED, TO BE DUCTILE IRON CONNECTED WITH FLANGED JOINTS AND STAINLESS STEEL BOLTS.

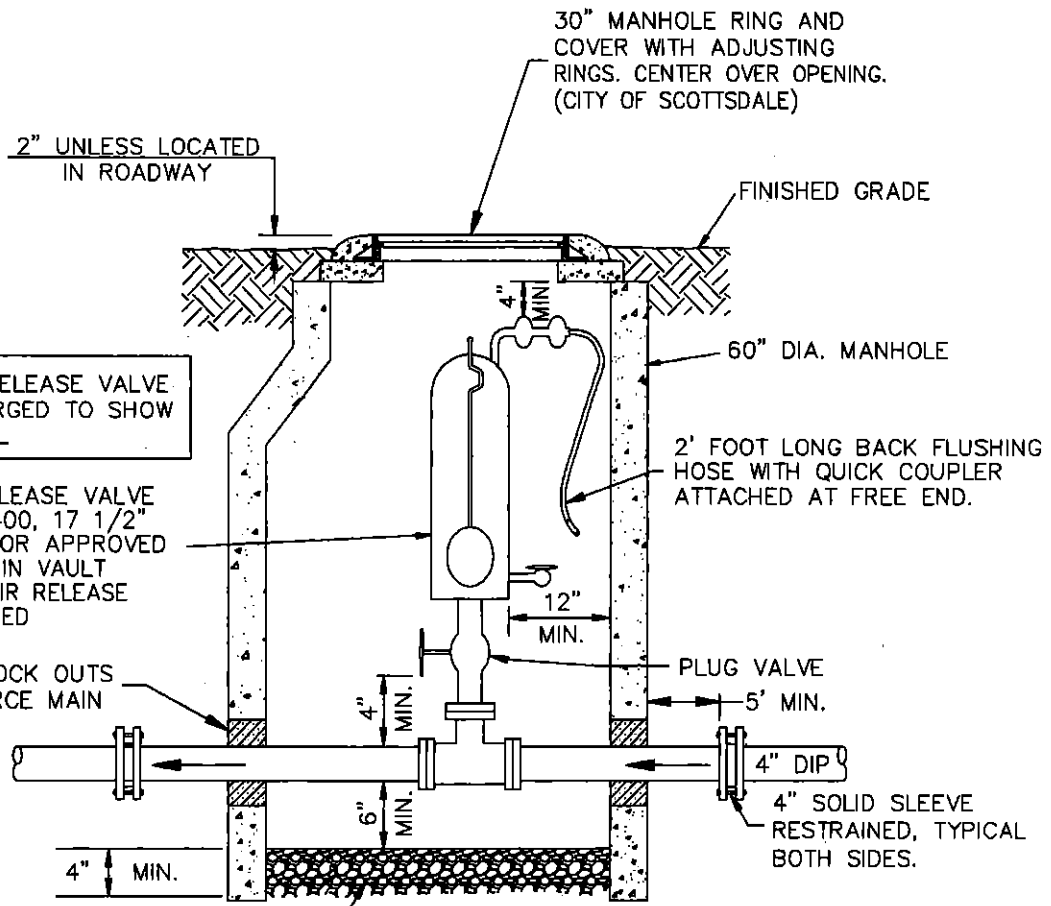


* NOTE: ALL PIPING IN CLEAN-OUT CHAMBER, EXCEPT AS NOTED, TO BE DUCTILE IRON CONNECTED WITH FLANGED JOINTS AND STAINLESS STEEL BOLTS.

DETAIL NO. **2404**
City of Scottsdale
Standard Details

FORCE MAIN CLEAN-OUT W/ SEWAGE AIR RELEASE VALVE

DETAIL NO. **2404**



30" MANHOLE RING AND COVER WITH ADJUSTING RINGS. CENTER OVER OPENING. (CITY OF SCOTTSDALE)

2" UNLESS LOCATED IN ROADWAY

FINISHED GRADE

60" DIA. MANHOLE

AIR RELEASE VALVE ENLARGED TO SHOW DETAIL

SEWAGE AIR RELEASE VALVE (APCO MODEL 400, 17 1/2" VALVE HEIGHT, OR APPROVED EQUAL) CENTER IN VAULT AND SUPPORT AIR RELEASE VALVE AS NEEDED

2' FOOT LONG BACK FLUSHING HOSE WITH QUICK COUPLER ATTACHED AT FREE END.

12" MIN.

PLUG VALVE

5' MIN.

PROVIDE KNOCK OUTS AROUND FORCE MAIN

4" MIN.

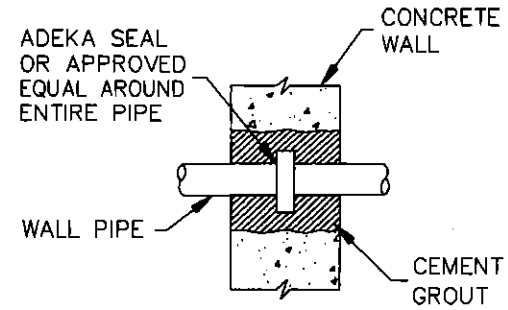
4" DIP
4" SOLID SLEEVE RESTRAINED, TYPICAL BOTH SIDES.

4" MIN.

6" MIN.

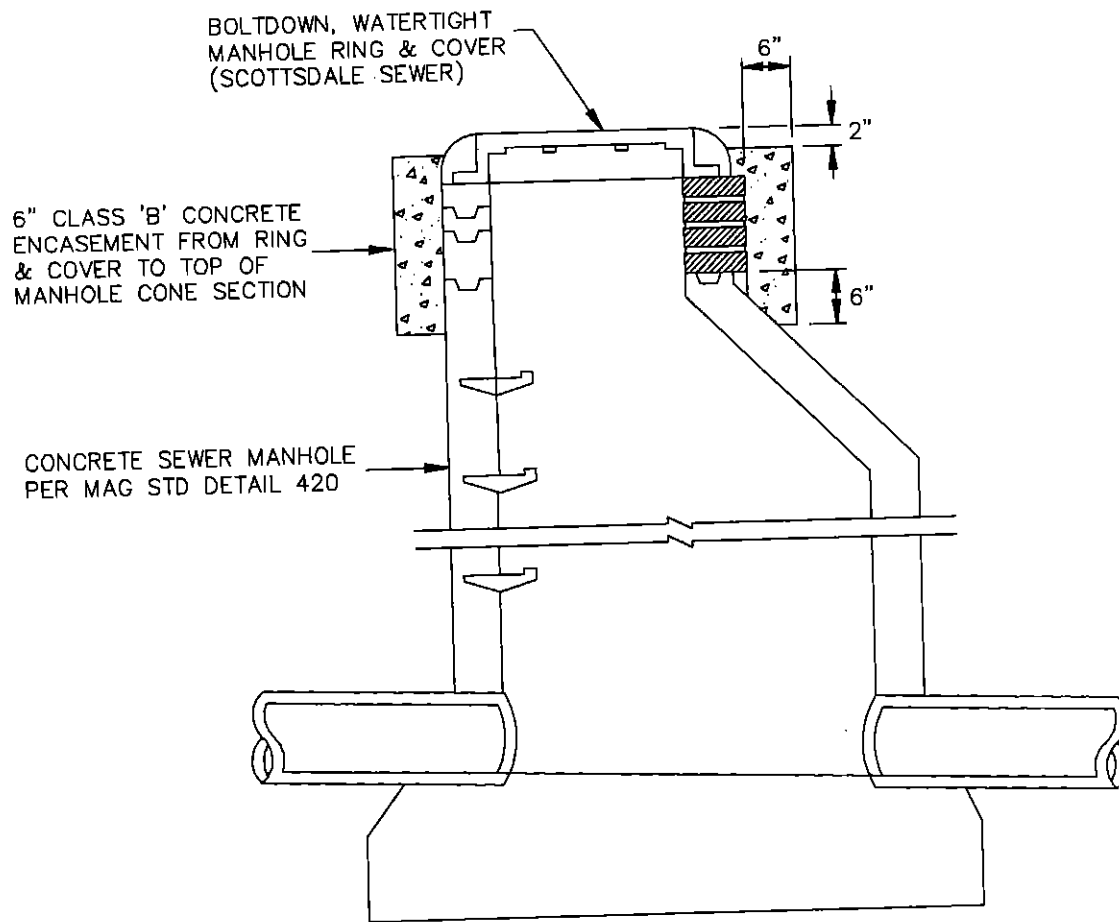
CRUSHED STONE

* NOTE: ALL PIPING, EXCEPT AS NOTED, TO BE DUCTILE IRON WITH FLANGE JOINTS AND STAINLESS STEEL BOLTS.



SEAL DETAIL

NOTE: TO BE USED FOR ALL PIPES PASSING THROUGH WALLS.

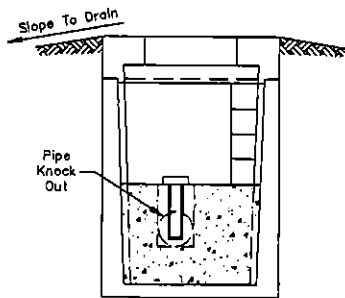


DETAIL NO.
2420

City of Scottsdale
Standard Details

WATER TIGHT CONCRETE SEWER MANHOLE

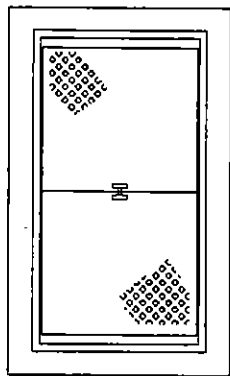
DETAIL NO.
2420



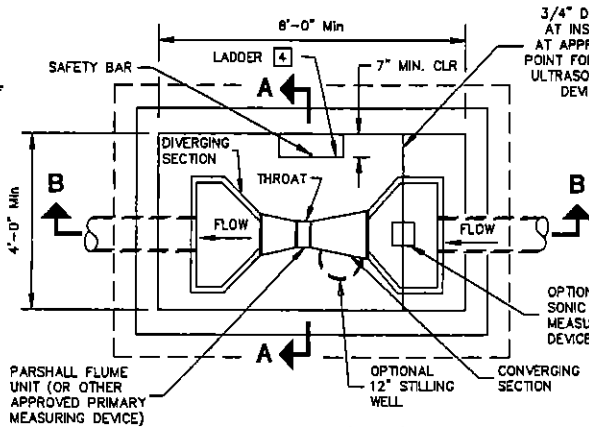
SECTION A-A

PRE-CAST VAULT

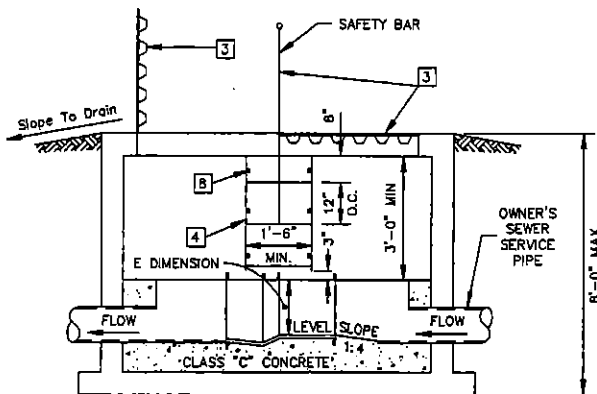
UTILITY VAULT CO.
VAULT NO. 575-BL,
NO. 577-BL OR
APPROVED EQUAL



COVER WITH LID



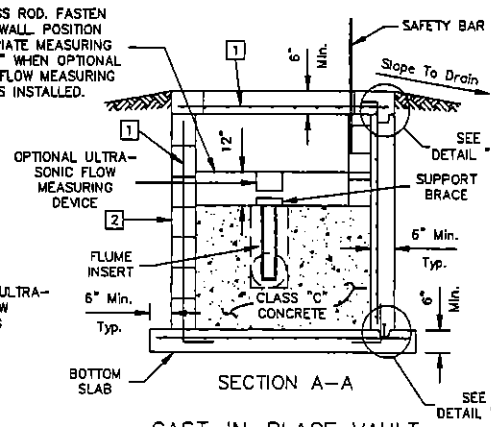
PLAN VIEW (TYP.)



SECTION B-B

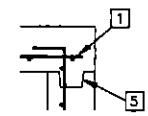
EQUIPMENT DESCRIPTION

A Fisher and Porter type 10F1940, Hinds Engineering Company, PS-1001, or approved equal molded fiberglass reinforced polyester Parshall Flume shall be installed. The flume shall be molded in one piece with ample wall thickness and reinforcing ribs to prevent distortion during shipment, installation and operation. The flume shall be self-supporting and require no external supporting structures. Interior dimensions shall conform to those in the latest revision of Water Measurement Manual published by the U.S. Department of the Interior, Water and Power Resources Services. The throat width and flume height (±E dimension) shall be per plan.

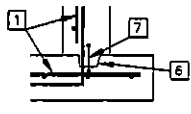


SECTION A-A

CAST-IN-PLACE VAULT



TOP KEY
DETAIL "A"



BOTTOM KEY
DETAIL "B"

- NOTES:**
- 1 Reinforced steel and clearance as approved by the engineer.
 - 2 Block masonry may be used in lieu of CIP walls. 8" block masonry, grout each cell to full height (grout per MAG Section 776).
 - 3 2 Torsion spring assisted galvanized diamond plate access doors (design loading AASHO-H20) locking with type 304SS hardware and safety bar (Bico Model LU-3, or approved equal).
 - 4 Ladder shall be furnished and installed in accordance with the detail and shall meet the requirements of OSHA for Type IA (300 lbs) fixed ladders, single section. Details of ladder construction, along with a certification that the ladder meets or exceeds OSHA requirements for Type IA (300 lbs) service shall be submitted for review prior to furnishing and installing. Mill finished aluminum ladder or approved corrosion resistant material.
 - 5 2" x 4" key, center on wall. (Install rope caulk continuously).
 - 6 1-5/8" x 2-1/2" x 3" key.
 - 7 4" PVC dumbbell type continuous waterstop 3/8" min. thickness. (Wash thoroughly prior to installation).
 - 8 Anchor straps (3 each side) with 5/8" x 3-1/2" 316SS anchor bolts with lock washer and nut.

GENERAL NOTES

1. All construction shall conform to MAG Specifications and Details and City of Scottsdale Supplement to MAG Specifications and Details, unless modified on the plans.
2. All concrete floors, walls and top slab of the structure shall conform to MAG section 725, Class A, minimum compressive strength at 28 days = 3,000 psi.
3. All concrete for the grout fill inside the structure shall conform to MAG Section 725, Class C, minimum compressive strength at 28 days = 2,000 psi.
4. All steel reinforcing shall be deformed bars, Grade 60, billet steel conforming to ASTM Specification No. A-815, latest edition.
5. The Monitoring/Sampling Vault shall be installed on the owner's property as close to the customer tap to the City sewer as feasible, and approved by the City of Scottsdale.
6. Flume size should be based upon the minimum and maximum flow rates and velocities to insure free-flow conditions.
 - Maximum Flow = 70%-100% of maximum capacity of selected flume size.
 - 0.5 inches of flow should exist at the minimum actual flow.
7. Flume floor elevation should be high enough, relative to downstream conditions, to prevent submerged flow (50% submergence is acceptable at maximum flow), install the flume level (longitudinally and transversely) in the converging section.
8. Upstream flow should be wave free, non-turbulent, and symmetrical having a uniform velocity (1fps minimum to 3 fps maximum) at least 10 times the diameter of the upstream sewer pipe in length in the approach channel. Bends upstream in the flume will NOT be allowed for a distance of 25 pipe diameters unless conditions in the approach section of the flume will not be adversely affected.
9. The flume shall be installed off-center and away from the ladder to allow the maximum working space for City personnel.
10. It shall be the owner's responsibility to properly maintain the flume in accordance with the manufacturer's recommendations to ensure the accuracy of the measurement.

DETAIL NO.
2460

City of Scottsdale
Standard Details

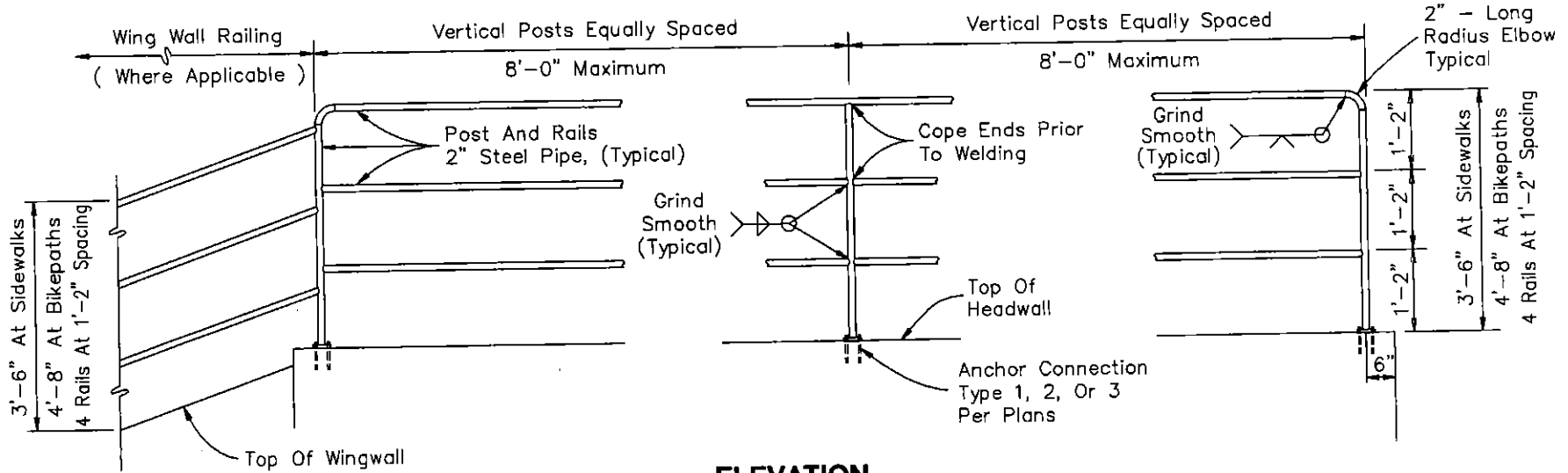
APPROVED BY:

Mantling

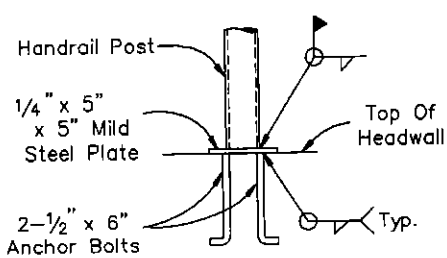
MONITORING/SAMPLING VAULT

DETAIL NO.
2460

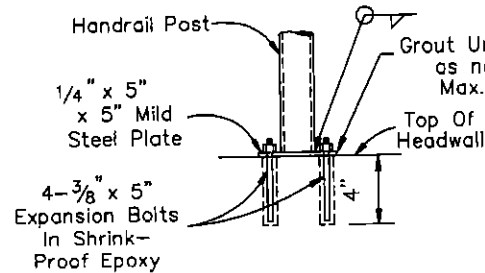
REVISED 3/28/02



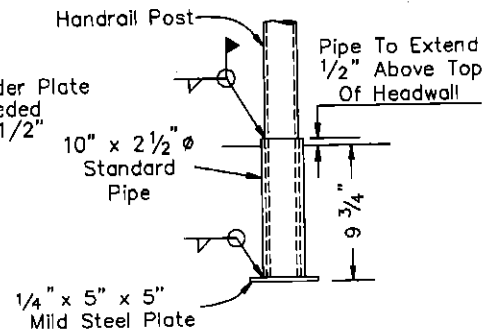
ELEVATION



TYPE 1
ANCHOR PLATE DETAIL



TYPE 2
EXPANSION BOLT DETAIL



TYPE 3
PIPE SLEEVE DETAIL

CONSTRUCTION NOTES

1. Paint handrail per MAG Specifications Section 530. Color per plans.
2. Vertical posts to be evenly spaced.

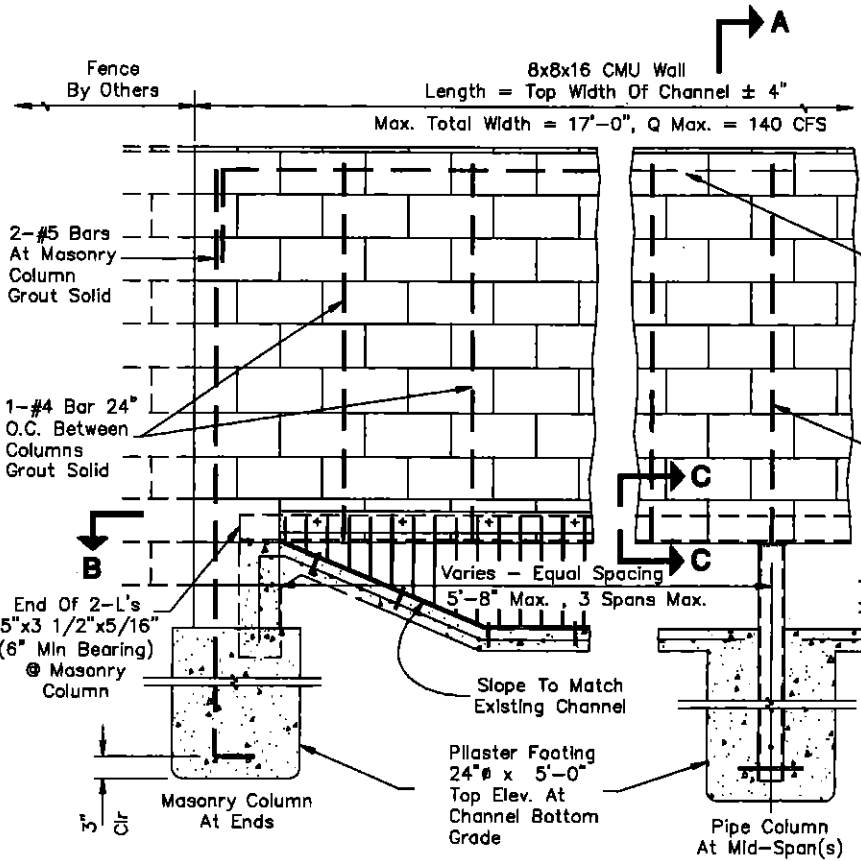
DETAIL NO.
2508

City of Scottsdale
Standard Details

HANDRAIL DETAIL

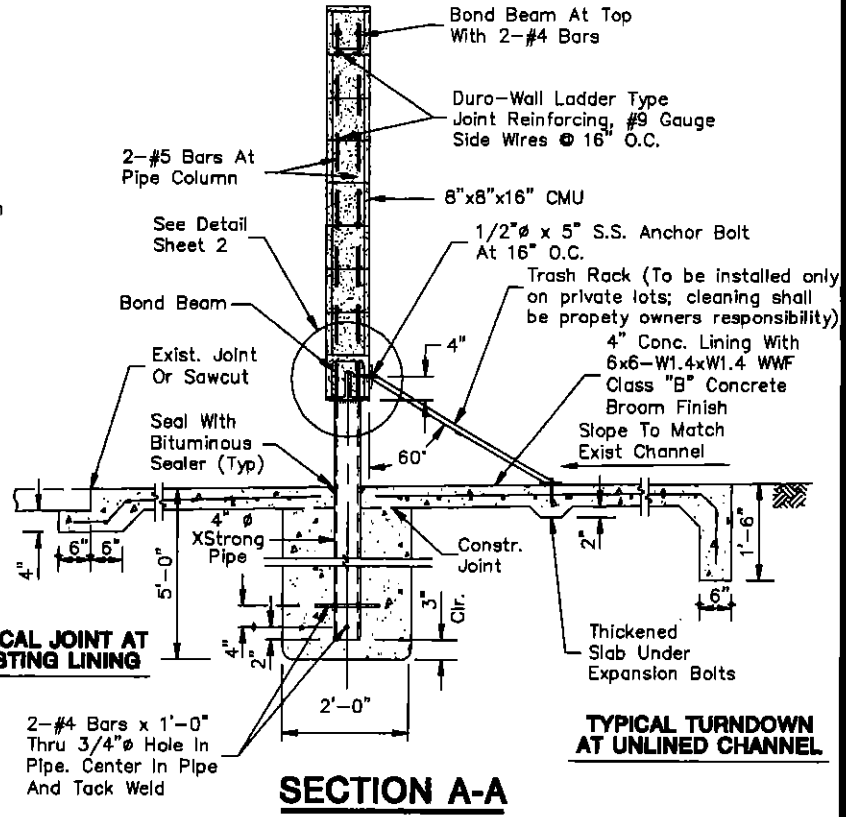
DETAIL NO.
2508

REVISED 2/27/01



ELEVATION

- WALL NOTES:**
1. Wall Height, Finish Texture And Color to Match Adjacent Property Wall.
 2. Construction To Conform to MAG Section 510.
 3. Trash Rack Grate Required on Private Lots only; And Property Owner Shall Be Responsible for Cleaning.



SECTION A-A

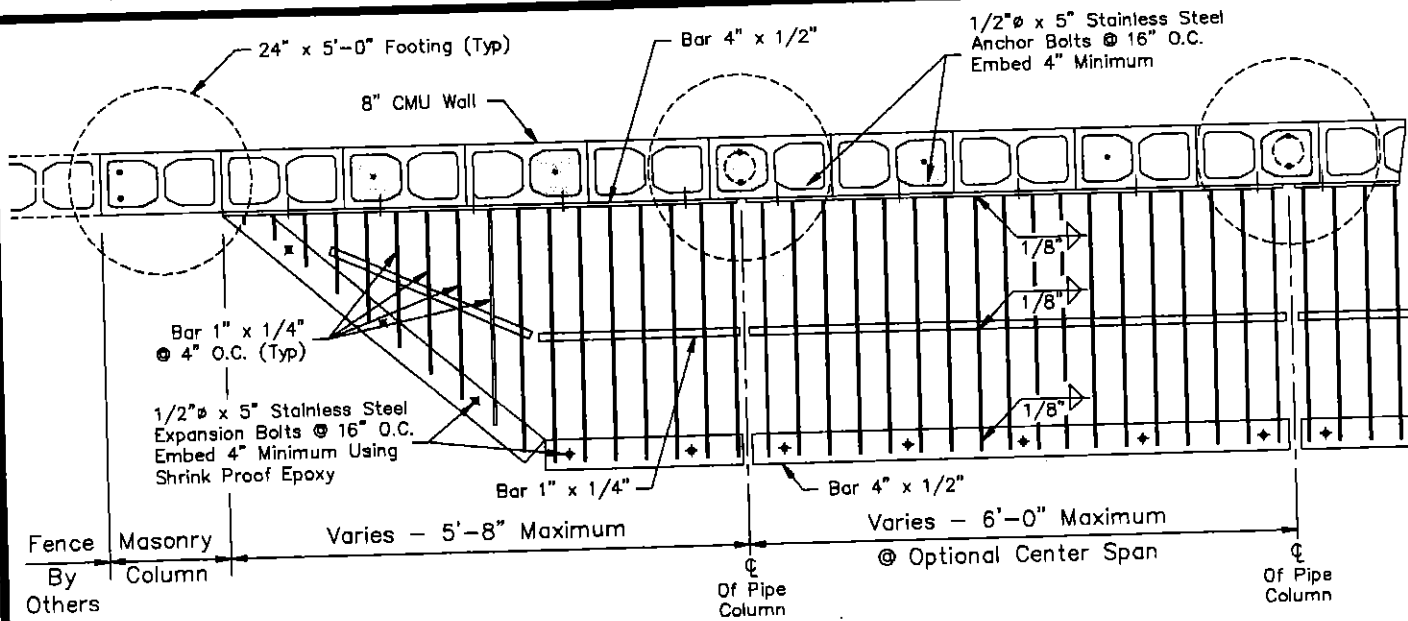
- CHANNEL NOTES:**
- UNLINED CHANNELS: Construct New Lining 6' Minimum Upstream And Downstream From Wall With Turndown At All Edges Of Lining.
 - EXISTING LINED CHANNELS: Remove Existing Lining 4' Minimum Upstream And Downstream From Wall. Replace Using Joint Shown.

DETAIL NO. **2515-1** City of Scottsdale Standard Details

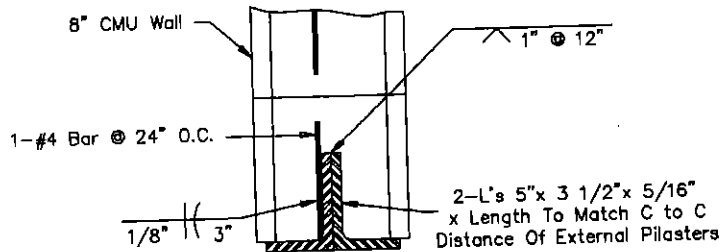
WALL OPENING & EROSION PROTECTION - TYPE 1

SHEET 1 OF 2
DETAIL NO. **2515-1**

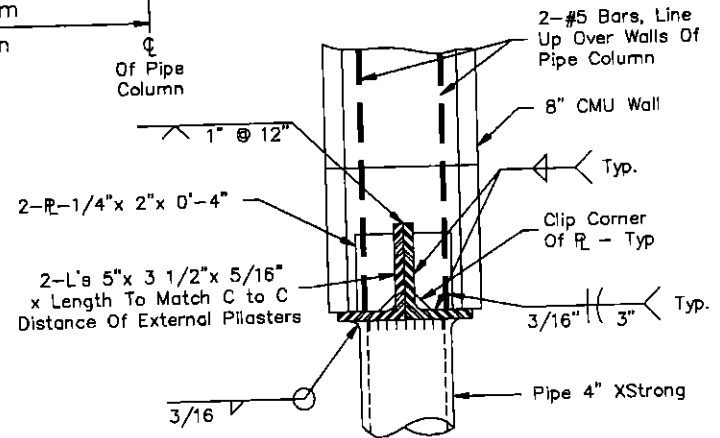
REVISED 2/27/01



SECTION B-B



SECTION C-C



DETAIL AT PIPE COLUMN

GRATE NOTES:

1. Steel Work Shall Conform To Mag Sections 515 And 770.
2. Shop Drawings Are Not Required. Contractor Shall Be Responsible For Correct Fit Between The Trash Rack, Channel And Wall As Constructed In The Field.
3. Shop Prime Steel And Touch-Up Per MAG Section 515.5. Apply A Second Coat After Erection And A Finish Coat Of Alkyd Enamel To Match Wall Finish Color.
4. Grate Required on Private Lots Only. Property Owner Responsible for Cleaning.

DETAIL NO. **2515-2** City of Scottsdale
Standard Details

DRAINAGE GRATE AT BLOCK WALL

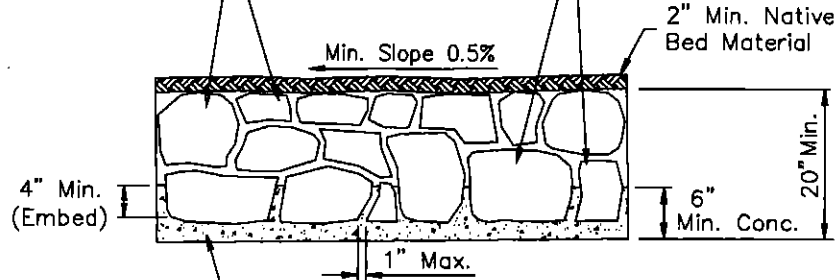
SHEET 2 OF 2
DETAIL NO.

2515-2

Top Stone:
Loose Naturally Placed
Native Stone. $D_{50} = 8"$
(Size: 3" Min. - 12" Max.)

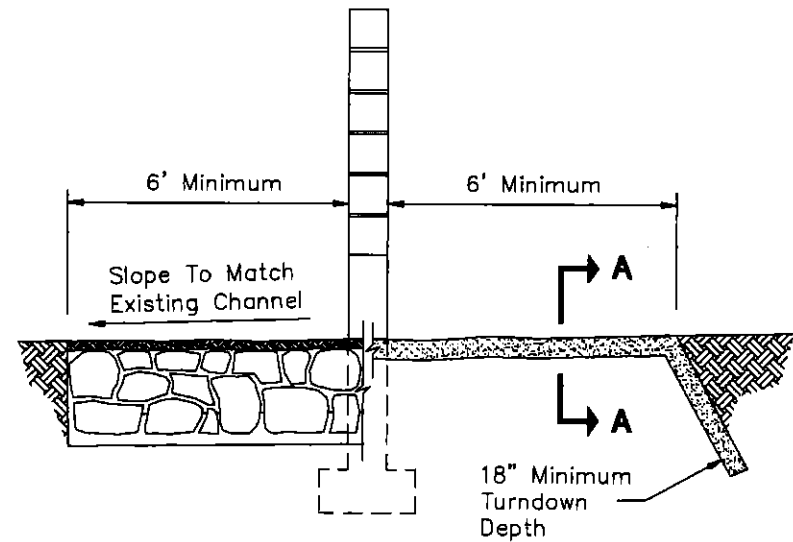
Note: Stone shall
be fractured with
angular faces; no
river run

Bed Stone:
Hand Placed Native Stone
 $D_{50} = 15"$ (Size: 12" Min. -
18" Max.)

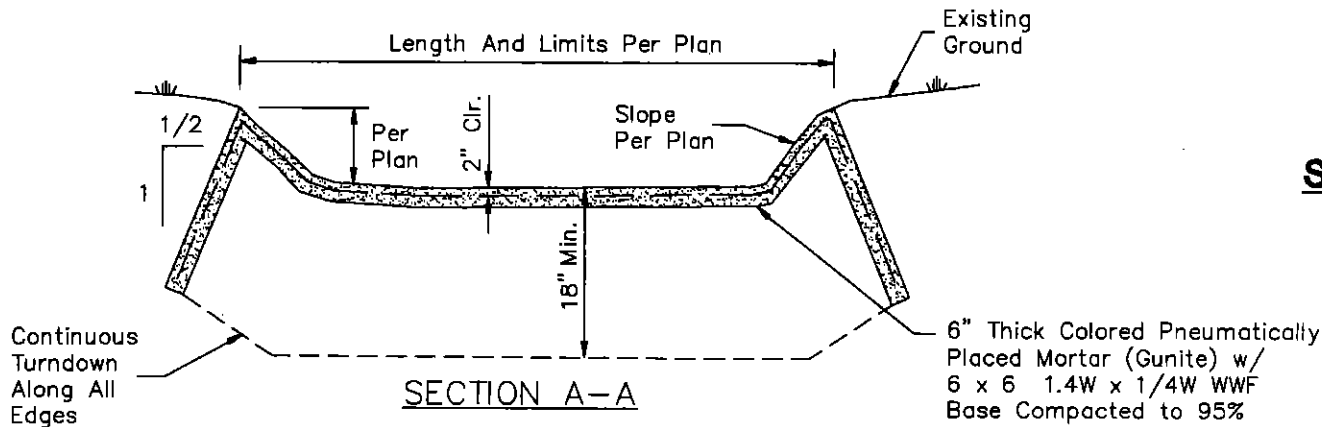


Integrally Colored Concrete Or
Grout, Color To Be Determined By
Plans or City Of Scottsdale Inspector
(Color to match native stone)

TYPE 1 - BURIED GROUDED RIP-RAP DETAIL



SECTION AT WALL



SECTION A-A

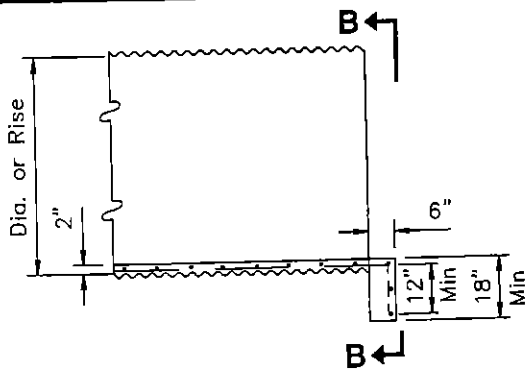
TYPE 2- PNEUMATICALLY PLACED MOTAR DETAIL

DETAIL NO.
2515-3

City of Scottsdale
Standard Details

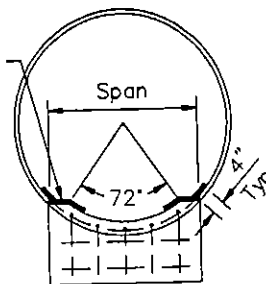
WALL OPENING EROSION PROTECTION

DETAIL NO.
2515-3

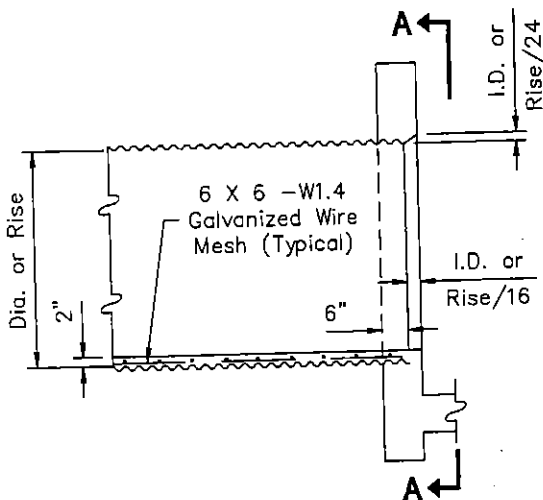


NO HEADWALL

Hot Mop Asphalt
Dampproofing

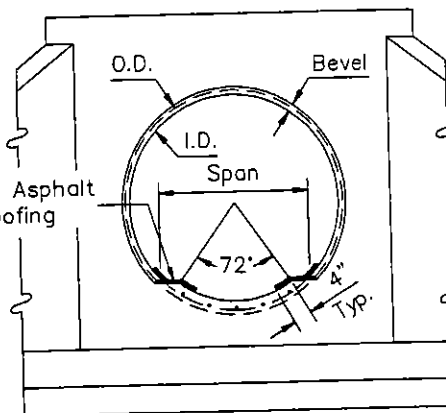


ELEVATION B-B



WITH HEADWALL

Hot Mop Asphalt
Dampproofing



ELEVATION A-A

GENERAL NOTES

1. For lateral dimensions of invert paving, use 72° control for CMP and span for CMPA.
2. Paving shall be scored at 18" min. (transverse) along pipe length.
3. Use bevel on inlet headwall only.
4. Wire mesh shall be tack welded to corrugation crests at 18" intervals. Laps shall be 6" min.
5. Paving shall not be placed until backfilling is completed.
6. Concrete shall be Class "B".

DETAIL NO.
2554

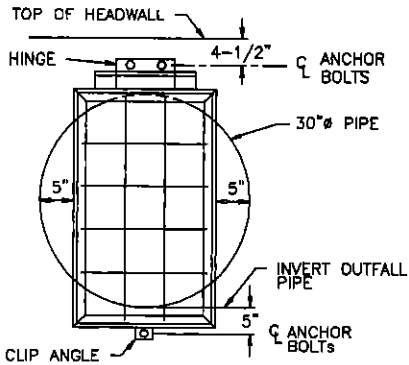
City of Scottsdale
Standard Details

APPROVED BY:

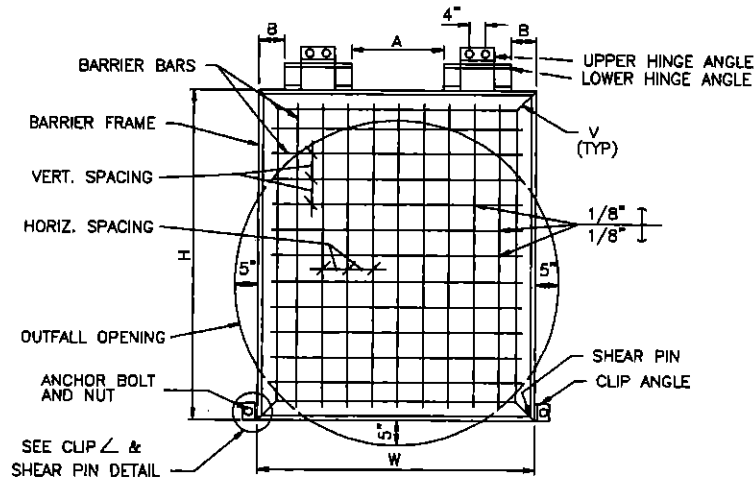
**CONCRETE INVERT PAVING FOR
CORRUGATED METAL PIPE AND PIPE ARCH**

DETAIL NO.
2554

REVISED 3/28/02



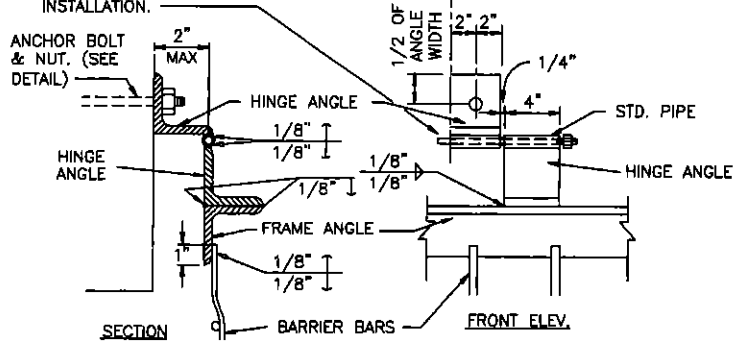
30"Ø & 36"Ø PIPES ONLY. SINGLE HINGE & CLIP ANGLE DETAIL



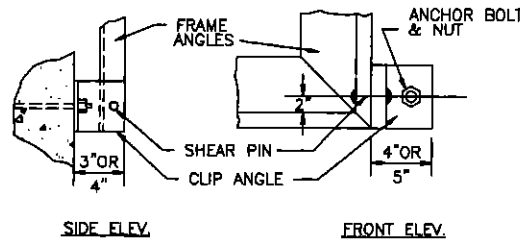
TYPICAL BARRIER DETAIL

HINGE PIN

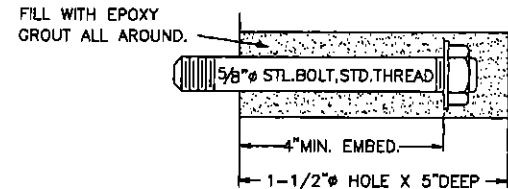
BOLT STOCK, THREAD BOTH ENDS SO NUT & LOCK WASHER ARE FLUSH WITH LOWER ∟. UPSET OR DAMAGE EXPOSED THREADS. COAT PIN WITH WATERPROOF GREASE BEFORE INSTALLATION.



HINGE INSTALLATION DETAIL



CLIP ANGLE & SHEAR PIN DETAIL



ANCHOR BOLT DETAIL

NOTES:

1. ALL SHEAR PIN ANGLES SHALL FIT SNUGLY AND TRULY FACE TO FACE. COVER WITH WATERPROOF GREASE PRIOR TO INSTALLATION OF PIN.
2. GALVANIZE ALL FERROUS PARTS AFTER FABRICATION.
3. THE SHEAR PIN HOLES IN THE ANGLE SHALL BE DRILLED FOR A TIGHT FIT OF THE SHEAR PINS.
4. FRAME AND HINGE ANGLES SHALL HAVE THE OUTSTANDING LEGS OUT FOR OUTLETS.
5. ALL ANCHOR BOLTS SHALL BE 5/8"Ø ANCHOR BOLTS EMBEDDED 4"(MIN.) INTO EPOXY GROUT.
6. ALL SHEAR PINS ARE TO BE PEENED BOTH ENDS AFTER INSTALLATION.
7. SHEAR PIN MATERIAL SHALL BE COMMERCIAL PURE ALUMINUM WIRE.
8. SEE BARRIER SCHEDULE, DET. 2562-2 FOR VARIABLE DIMENSIONS.
9. COVER ALL MOVABLE CONTACT SURFACE WITH A COAT OF WATERPROOF GREASE PRIOR TO INSTALLATION.
10. ALL BARRIER BARS TO BE 1/2" PLAIN.

DETAIL NO. **2562-1** City of Scottsdale Standard Details

APPROVED BY: _____

STORM SEWER OUTFALL ACCESS BARRIER 2562-1

DETAIL NO.

REVISED: 3/28/02

SIZE OF OUTFALL CONDUIT	FRAME ANGLES	SHEAR PIN CLIP ANGLES	SHEAR PINS	HINGE PINS	HINGE ANGLES	HINGE STD. PIPE	* NO. OF EQUAL BARRIER BAR SPACES (HORIZ.)	NO. OF EQUAL BARRIER BAR SPACES (VERT.)	H (OUT TO OUT FRAME ANGLES)	* W (OUT TO OUT FRAME ANGLES)	A	B
30"	2X2X1/4	4X4X1/4	1-1/8 ϕ	1/2" ϕ	2X2X1/4	3/4"	3	5	34"	20"	SINGLE HINGE CENTERED	
36"	2X2X1/4	4X4X1/4	1-1/8 ϕ	3/4" ϕ	2-1/2X 2-1/2X1/4	1"	4	6	40"	26"	SINGLE HINGE CENTERED	
42"	2X2X1/4	4X4X1/4	2-1/8 ϕ	1/2" ϕ	2X2X1/4	3/4"	5	6	42"	32"	0	0
48"	3X3X7/16	5X3X1/4	2-1/8 ϕ	3/4" ϕ	2-1/2X 2-1/2X1/4	1"	5	7	47"	38"	3"	1"
54"	3X3X7/16	5X3X1/4	2-1/8 ϕ	3/4" ϕ	2-1/2X 2-1/2X1/4	1"	6	8	54"	44"	5"	3"
60"	3X3X7/16	5X3X1/4	2-1/8 ϕ	3/4" ϕ	2-1/2X 2-1/2X1/4	1"	7	9	60"	50"	9"	4"
66"	3X3X7/16	5X3X1/4	2-1/8 ϕ	3/4" ϕ	2-1/2X 2-1/2X1/4	1"	8	10	66"	56"	11"	6"
72"	4X4X5/8	5X3X1/4	2-3/16 ϕ	1" ϕ	3X3X3/8	1-1/4"	9	11	73"	62"	15"	7"
78"	4X4X5/8	5X3X1/4	2-3/16 ϕ	1" ϕ	3X3X3/8	1-1/4"	10	11	79"	68"	17"	9"
84"	4X4X5/8	5X3X1/4	2-3/16 ϕ	1" ϕ	3X3X3/8	1-1/4"	11	13	86"	74"	21"	10"
90"	4X4X5/8	5X3X1/4	2-3/16 ϕ	1" ϕ	3X3X3/8	1-1/4"	12	13	92"	80"	23"	12"
96"	4X4X5/8	5X3X1/4	2-3/16 ϕ	1" ϕ	3X3X3/8	1-1/4"	12	14	98"	86"	29"	12"

*NOTE: Adjust these values for skewed conduits. Provide 5" maximum opening at each side and between bars.

DETAIL NO.
2562-2

City of Scottsdale
Standard Details

APPROVED BY:

BARRIER SPECIFICATIONS SCHEDULE

DETAIL NO.
2562-2

MINIMUM TREE SIZE REQUIREMENTS

Name	Size	Height	Width	Caliper	Name	Size	Height	Width	Caliper	Name	Size	Height	Width	Caliper	Name	Size	Height	Width	Caliper					
ACACIA					ACACIA (Cont.)					ARGENTINE MESQUITE	15	5	3	0.75	VELVET ARIZONA (M)	15	5.5	3	0.5	SONORAN	15	6	2	0.75
BLUE LEAF WATTLE (ACACIA SALIGNA)	15	6	2	0.75	WEEPING (ACACIA PENDULA)	15	5	2	0.75	(M) (PROSOPIS ALBA)	24	8	5	1.25	(PROSOPIS VELUNTINA)	24	7	4	1	(CERCIDIUM PRAECOX)	24	7	4	1.5
	24	8	4	1.5		24	6.5	3	1.25		30	9	7	1.5		30	9	6	1.5		30	8	6	2
	30	10	5	2		30	9	5	2		36	11	9	2		36	10	8	2		36	10	8	2.5
	36	12	6	2.5		36	11	6	2.5		42	13	11	2.5		42	12	10	2.5		42	11	10	3
						15	6	2	0.75		48	15	13	3		48	14	12	3		48	12	12	3.5
BERLANDIERI GUAJILLO (M) (ACACIA BERLANDIERI)	15	4	2	0.5	WILLOW AUSTRALIAN WILLOW (ACACIA SALICINA)	24	8	4	1.5	MESQUITE (Cont.)					PALOVERDE					SONORAN (M)	15	5	2	0.5
	24	5	4	1		30	10	5	2	CHILEAN MESQUITE (PROSOPIS CHILENSIS)	15	6	2	0.75	BLUE PALO VERDE (CERCIDIUM FLORIDUM)	15	6	2	0.75	(CERCIDIUM PRAECOX)	24	7	4	1
	30	7	5	1.5		36	14	6	2.5		24	8	4	1.5		24	7.5	4	1.5		30	8	6	1.5
	36	9	6	2							30	9	6	2		30	9	7	2		36	10	8	2
MULGA (ACACIA ANEURA)	15	5	2	0.75	IRONWOOD DESERT IRONWOOD (OLNEYA TESOTA)	15	3	2	0.5	CHILEAN MESQUITE (M) (PROSOPIS CHILENSIS)	36	10	8	2.5		36	10	8	2.5		42	11	10	2.5
	24	7	4	1.5		24	6	3	1.25		42	11	9	3		42	12	9	3		48	12	12	3
	30	9	6	2		30	8	6	2		48	12	10	3.5		48	14	10	3.5		48	11	10	2
	36	10	8	2.5		36	10	8	2.5		48	14	12	3.5		48	14	10	3.5		48	12	12	3
SHOESTRING (ACACIA STENOPHYLLA)	15	7	2.5	0.75	DESERT IRONWOOD (M) (OLNEYA TESOTA)	15	3	2	0.5		15	5	3	0.5	BLUE PALO VERDE (M) (CERCIDIUM FLORIDUM)	15	5	3	0.5	OTHER TREES				
	24	9	4	1.5		24	6	3	1.25		24	8	5	1		24	7	4	1	AFRICAN SUMAC	15	7	2	0.75
	30	11	5	2		30	8	6	2		30	9	7	1.5		30	8	6	1.5	(RHUS LANCEA)	24	9	4	1.25
	36	13	6	2.5		42	11	9	3		36	10	9	2		36	10	8	2		30	11	6	2
	42	15	7	3		48	12	10	3.5		42	12	11	2.5		42	12	9	2.5		36	12	8	2.5
	48	17	8	4		48	12	10	3.5		48	14	13	3		48	14	11	3		42	14	8	3.5
SHOESTRING (M) (ACACIA STENOPHYLLA)	15	7	2.5	0.5		30	8	6	2	HONEY MESQUITE (M) (PROSOPIS - GLANDULOSA)	15	6	2	0.75	LITTLE LEAF FOOTHILLS (CERCIDIUM - MICROPHYLLUM)	15	4	2	0.5	AFRICAN SUMAC (M) (RHUS LANCEA)	15	5	3	0.75
	24	9	4	1		36	10	8	2.5		24	8	4	1.5		24	6	3	1		24	8	4.5	1
	36	13	6	2		42	11	9	3		30	9	6	2		30	7	5	1.5		30	9	7	1.5
	48	17	8	4		48	12	10	3.5		36	10	8	2.5		36	8	6	2		36	11	8	2
SWEET (ACACIA SMALLII)	15	6	2.5	0.75	MESQUITE ARGENTINE MESQUITE (PROSOPIS ALBA)	15	6.5	2	0.75		42	12	10	3	LITTLE LEAF FOOTHILLS (M) (CERCIDIUM - MICROPHYLLUM)	15	4	3	0.5		42	13	9	2.5
	24	8	4	1.5		24	8	4	1.5	SCREW BEAN (M) (PROSOPIS - PUBESCENS)	48	14	12	3.5		24	5	4	1	ALEPPO	15	6	3	0.75
	30	9	6	2		30	9	6	2		48	14	12	3.5		30	6	5	1.5	(PINUS HALEPENSIS)	24	9	4	2
	36	10	8	2.5		36	11	8	2.5		48	14	12	3.5		36	8	7	2		30	11	6	3
	42	12	10	3		42	13	10	3												36	14	7	3.5
	48	14	12	3.5		48	15	12	3.5												42	16	9	4
SWEET (M) (ACACIA SMALLII)	15	5	3	0.5																	48	18	10	4.5
	24	8	5	1																				
	30	9	7	1.5																				
	36	10	9	2																				
	42	12	10	2.5																				
	48	14	12	3																				

See General Notes
Page 3

DETAIL NO.
2600-1

DETAIL NO.
2600-1

City of Scottsdale
Standard Details

APPROVED BY:
Scottsdale Standards &
Specifications Committee

MINIMUM TREE SIZE REQUIREMENTS

MINIMUM TREE SIZE REQUIREMENTS

Name	Size	Height	Width	Caliper	Name	Size	Height	Width	Caliper	Name	Size	Height	Width	Caliper							
MODESTO ASH (FRAXINUS V. MODESTO)	15	8	2	1	RAYWOOD ASH	15	8	4	1	SILK TREE MIMOSA (M) (ALBIZIA JULIBRISSIA)	15	5	3.5	0.5	SILK TREE MIMOSA (ALBIZIA JULIBRISSIA)	15	6	3	0.75		
	24	10	4	1.5	CLARET ASH (FRAXINUS O. RAYWOODII)	24	10	3	1.5		24	6.5	5	0.75		24	8	4	1.5		
	30	12	6	2		30	12	5	2		30	6	6	1		30	10	6	2		
	36	14	7	2.5		36	14	8	2.5		36	10	8	2.5		36	12	8	3		
	42	16	8	3		42	16	10	3			15	7	3		0.75	TEXAS EBONY (M) (PITHECELLBIUM-FLEXICAULE)	15	4	2	0.5
48	17	10	3.5		48	18	12	4		24	10	4	1.5	24	6	4		1			
NARROW LEAF GIMLET	15	6	2.5	0.75	RED CAP GUM (EUCALYPTUS-ERYTHROCORYES)	15	6.5	2.4	0.75	SILVER DOLLAR GUM (EUCALYPTUS-POLYANTHEMOS)				30	7	6		1.5			
SWAMP MALLET (EUCALYPTUS - SPATHULATA)	24	8	3	1		24	8	4	1.25	SISSOO (DALBERGIA SISSOO)	15	7	3	0.75	36	9		8	2		
											24	10	4	1.25	42	10		10	2.5		
OLEANDER (NERIUM OLEANDER)	15	7	2	0.75	RED GUM (EUCALYPTUS-CAMALDULENSIS)	15	8	3	1	SOUTHERN LIVE OAK HERITAGE (QUERCUS VIRGINIANA)	30	12	7	2.5	WEEPING BOTTLE BRUSH (CALLISTEMON VIMINALIS)	15	8	2	0.75		
	24	9	4	1.25		24	10	4	1.75		36	15	10	3		24	10	3.5	1.5		
	30	10	5	2		15	8	3	0.75		24	9	4	1.25		30	12	5	2		
OLIVE TREE (OLEA EUROPAEA)	36	12	6	2.5	RED IRON BARK (EUCALYPTUS - SIDEROCXYLON)	24	10	4	1.5		30	11	6.5	2	36	14	7	2.5			
	15	5	3	0.5		15	7	2	0.75	TEXAS EBONY (PITHECELLOBIUM-FLEXICAULE)	42	15	10	3.5	WEEPING WILLOW (SALIX BABYLONICA)	15	8	2	1		
	24	8	5.5	1.5	RIO GRANDE FAN	24	9	4	1.25		48	17	12	4.5		24	10	4	1.5		
	30	11	9	2	TEXAS ASH (FRAXINUS V. FANTEX)	30	12	5	2		15	5	2	0.75		30	12	6	2.5		
	36	12	10	3		36	14	8	2.5		24	6	3	1.5		36	14	8	4		
42	14	12	3.5		42	15	9	3.5		30	7	4	2	15		6.5	2.5	0.75			
ORCHID TREE (BAUHINIA)	48	16	14	4		48	16	10	4		36	9	6	2.5	WHITE IRON BARK (EUCALYPTUS - LEUCOXYLON)	24	8	3.5	1.25		
	15	8	2	0.75	SHAMELI EVERGREEN (FRAXINUS UHDEI)	15	8	2	1		42	10	6	3	15	6	2	0.5			
	24	9	4	1.25		24	10	4	1.5		48	11	7	3.5	YELLOW OLEANDER (THEVETIA PERUVIANA)	24	8	4	1.25		
	30	11	6	2		30	12	5	2.5						YELLOW OLEANDER (M) (THEVETIA PERUVIANA)	15	4	3.5	0.5		
ORNAMENTAL PEAR (PYRUS CALLERYANA)	36	13	7	2.5		36	14	8	3						24	6	5	0.75			
	15	7	2	1		42	15	9	3.5												
	24	10	3.5	1.5		48	16	10	4												
	30	12	6	2.5																	
	36	14	8	3	SILK OAK (GREVILLEA ROBUSTA)	15	8	3	1												
					24	10	4	2													
					30	12	6	2.5													
					36	14	7	3													

GENERAL NOTES:

1. All trees shall be guaranteed for one year from the date of acceptance
2. "M" designates a multitrunk tree. A multitrunk tree is a tree with more than one main trunk.
3. Caliper is measured at 12" above the ground for trees with caliper greater than 4". For multitrunk trees, and trees with caliper of less than 4", the caliper is measured 6" above the ground.
4. Size is listed as the box size in inches except for those trees in 15 gallon containers.

DETAIL NO.
2600-3

City of Scottsdale
Standard Details

APPROVED BY:
Scottsdale Standards &
Committee Specifications

MINIMUM TREE SIZE REQUIREMENTS

DETAIL NO.
2600-3

REVISED 7/29/96

Prune Tree At Time Of Stake Removal.

(2) 2" Diameter x 10' Long Lodgepole Pine Tree Stakes. Bury 3' In Ground And Cut Off Stake 12" Above Vinyl Tie. Stakes Shall Remain In Place For 2 Years Unless Removal Is Approved By Maintenance Director.

Mulch To A Depth Of 1/2", 5' In Diameter. Keep Mulch 6" Away From Trunk.

Backfill With Native Soil. (No Rocks Greater Than 1") Apply Fertilizer To Surface Away From Trunk Per Specifications.

Scarify One Side Of Root Ball Prior To Planting

Note: Sufficient clearance shall be maintained between trees and utility facilities so as to not hinder use of these facilities.

Vinyl Tie, 1" (Min.) In Width

Set Top Of Root Ball At Soil Surface.

Form Temporary Irrigation Border Just Outside Of Root Ball. Use Water To Settle Backfill. Do Not Pack Backfill.

Planting Hole Shall Be 3 Times Diameter Of Root Ball And No Deeper. Scarify Sides And Bottom Of Planting Hole

Tree Planting and Staking ≤36" Box Or 2" Caliper

Note: Sufficient clearance shall be maintained between shrubs and utility facilities so as to not hinder use of these facilities.

Mulch Soil To A Depth Of 2", 2' In Diameter For 1 Gal. Shrubs, 4' In Diameter For 5 Gal. Shrubs, Keep Mulch 4" Away From Plant Base.

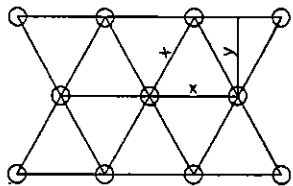
Backfill With Native Soil. Apply Fertilizer To Surface Away From Trunk Per Specifications.

Set Top Of Root Ball At Soil Surface.

Planting Hole Shall Be 3 Times Diameter Of Root Ball And No Deeper. Scarify Sides And Bottom Of Planting Hole

Scarify One Side Of Root Ball Prior To Planting

Shrub Planting



All Groundcovers To Be Planted On Center (See Plant Legend) In A Triangular Pattern.

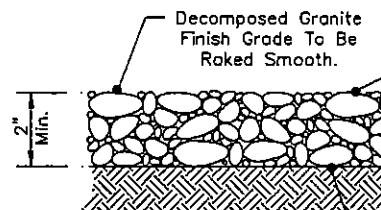
X = O.C. Dimension As Noted On Plan
Y = 0.86 Of Dimension "X"

Mulch Soil To A Depth Of 2", 1' In Diameter. Keep Mulch 2" Away From Plant Base.

Prepare Soil Per Specifications And Rototill To A Depth Of 6" Prior To Any Sprinkler Work.

Backfill With Native Soil. Apply Fertilizer To Surface Away From Trunk Per Specifications.

Groundcovers



Provide Final Application Of Weed Control Upon Final Raking.

Fine Graded Subgrade

Apply Pre-Emergent Herbicide As Per Manufacturers Recommendations. (Surflan Or Equal Approved By City Of Scottsdale)

Decomposed Granite

DETAIL NO.
2620-1

**City of Scottsdale
Standard Details**

APPROVED
Scottsdale Standards & Specifications
Committee

LANDSCAPE DETAILS

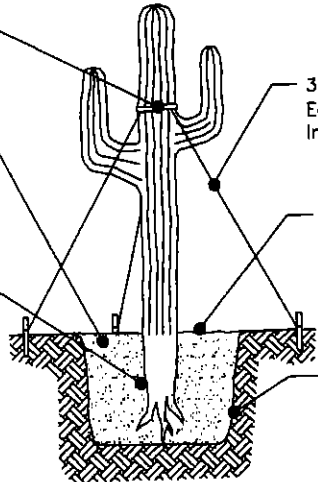
DETAIL NO.
2620-1

REVISED 1/5/00

Garden Hose Reinforced With Wire (Metal).

Use Golf Sand Or 1/4" Minus Decomposed Granite To Backfill Planting Hole. Backfill 1/2 Of Pit, Then Compact.

Root Prune All Shredded Or Damaged Roots And Dust Entire Root Structure With Wettable Sulphur (1.5 Min.) And Streptomycin Spray At Planting Site. Root Ball Minimum Size Shall Be 24" With A Minimum Root Length Of 6" On All Sides.



3 Tree Braces, Spaced Equally. Braces To Remain In Place For One Year Min.

6 - 1 Gallon Emitters In 'Hula Hoop' Distribution, Run Once A Month 24 To 48 Hours For One Year.

Planting Hole Width Shall Be 3 Times Diameter Of Roots And No Deeper Than The Extension Of The Roots.

Saguaro Planting Type A

NOTES:

1. Optimum transplanting season is October thru November.
2. Maintain original plant orientation. The original "North" orientation shall be marked on a rib at a height of 5' above ground level.
3. Water thoroughly at the time of transplanting to remove air pockets and assure proper compaction. Backfill shall be free of injurious rocks and debris.
4. Do not water for 3 weeks after planting.
5. Plant in areas safe from present and future construction activities.
6. Transplant to original depth of bury.

NOTE: Water weekly through the summer.

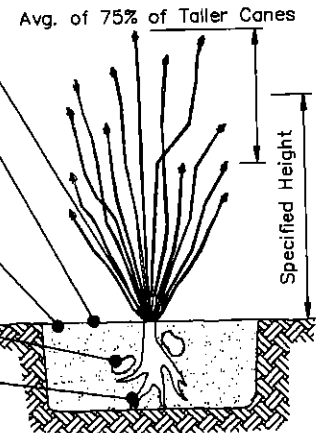
Plant At Depth Which Plant Was Grown.

Planting Mix To Be 1/3 Golf Sand And 2/3 Specified Soil. Pack The Backfill Mix. Do Not Use Water To Settle Backfill Mix.

Planting Hole Width Shall Be 3 Times Diameter Of Roots And No Deeper Than The Extension Of The Roots.

Use 6" to 8" Rocks To Anchor Roots.

Root Prune All Shredded Or Damaged Roots And Dust Entire Root Structure With Wettable Sulphur (1.5 min.) At Planting Site.



Ocotillo Planting

NOTES:

1. Optimum transplanting season is October thru November.
2. Maintain original plant orientation. The original "North" orientation shall be marked on a rib at a height of 5' above ground level.
3. Water thoroughly at the time of transplanting to remove air pockets and assure proper compaction. Backfill shall be free of injurious rocks and debris.
4. Do not water for 3 weeks after planting.
5. Plant in areas safe from present and future construction activities.
6. Transplant to original depth of bury.

NOTES: Water weekly through the summer. Maintain original growing orientation.

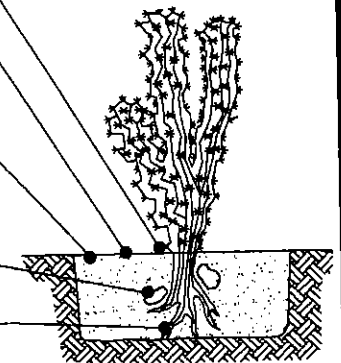
Plant At Depth Which Plant Was Grown.

Planting Mix To Be 1/3 Golf Sand And 2/3 Specified Soil. Pack The Backfill Mix. Do Not Use Water To Settle Backfill Mix.

Planting Hole Width Shall Be 3 Times Diameter Of Roots And No Deeper Than The Extension Of The Roots.

Use 6" to 8" Rocks To Anchor Roots.

Root Prune All Shredded Or Damaged Roots And Dust Entire Root Structure With Wettable Sulphur (1.5 min.) At Planting Site.

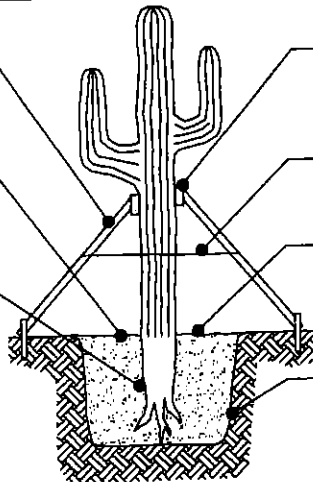


Cactus Planting

(3) 2"x 6" Braces, Spaced Equally And Nailed To Wooden Stakes In The Ground. Braces To Remain In Place For One Year Min.

Use Golf Sand Or 1/4" Minus Decomposed Granite To Backfill Planting Hole. Backfill 1/2 Of Pit, Then Compact.

Root Prune All Shredded Or Damaged Roots And Dust Entire Root Structure With Wettable Sulphur (1.5 Min.) And Streptomycin Spray At Planting Site. Root Ball Minimum Size Shall Be 24" With A Minimum Root Length Of 6" On All Sides.



4"x 8"- Dense Foam And Carpet Padded, 8' Above Natural Grade And Nailed To Brace.

Steel Band Fastened With 2 Large Staples Per Brace.

6 - 1 Gallon Emitters In 'Hula Hoop' Distribution, Run Once A Month 24 To 48 Hours For One Year.

Planting Hole Width Shall Be 3 Times Diameter Of Roots And No Deeper Than The Extension Of The Roots.

Saguaro Planting Type B

DETAIL NO.
2620-2



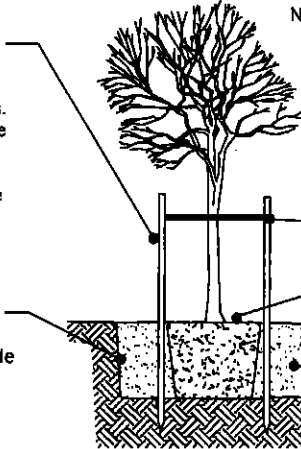
**City of Scottsdale
Standard Details**

LANDSCAPE DETAILS

DETAIL NO.
2620-2

REVISED 1/5/00

Staking Required For Trees In 36" Box Or Less Or With A Caliper Of Less Than 2". (2) 2" Diameter x 10' Long Lodgepole Pine Tree Stakes. Bury 3' In Ground And Cut Off Stake 12" Above Vinyl Tie. Stakes Shall Remain In Place For 2 Years Unless Removal Is Approved By Maintenance Director.



Notes: 1. Sufficient clearance shall be maintained between trees and utility facilities so as to not hinder use of these facilities.

2. Plant pit basins within sloped planting areas shall be constructed with a max. 2:1 slope. Provide smooth transition to surrounding finish grade.

Vinyl Tie, 1" (Min.) In Width

Set Top Of Root Ball At Soil Surface.

Planting Hole Shall Be 2 Times Diameter Of Root Ball And No Deeper. Scarify Sides And Bottom Of Planting Hole

Backfill With Native Soil. (No Rocks Greater Than 3") Backfill 3/4 The depth Of Rootball Before Removing Box Side Panels. Compact Backfill As Needed To Prevent Breaking Rootball.

Salvaged Tree Planting

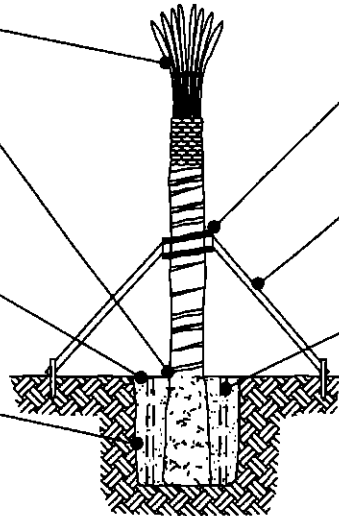
(LEFT BLANK)

Thin Top 6-8 Fronds, Tie With Natural Fiber Twine. (Remove Ties Prior To Buckling 60-90 Days).

Plant At Depth Which Plant Was Grown. Adjusting Root Ball Depth To Align Finished Height Will Not Be Allowed.

100% Golf Sand Backfill. Settle Backfill With Water, Do Not Pack Backfill.

Planting Hole Width Shall Be 3 Times Diameter Of Roots And No Deeper Than The Extension Of The Roots.



2"x 4" Blocking Nailed To Brace. Tie To Trunk With 1" (Min.) Vinyl Tie.

(3) 2"x 6" Braces, Spaced Equally And Nailed To Wooden Stakes In The Ground.

4" Perforated PVC, 2 Per Tree. Wrap PVC With Soil Screen Fabric.

Palm Planting and Bracing Detail

(LEFT BLANK)

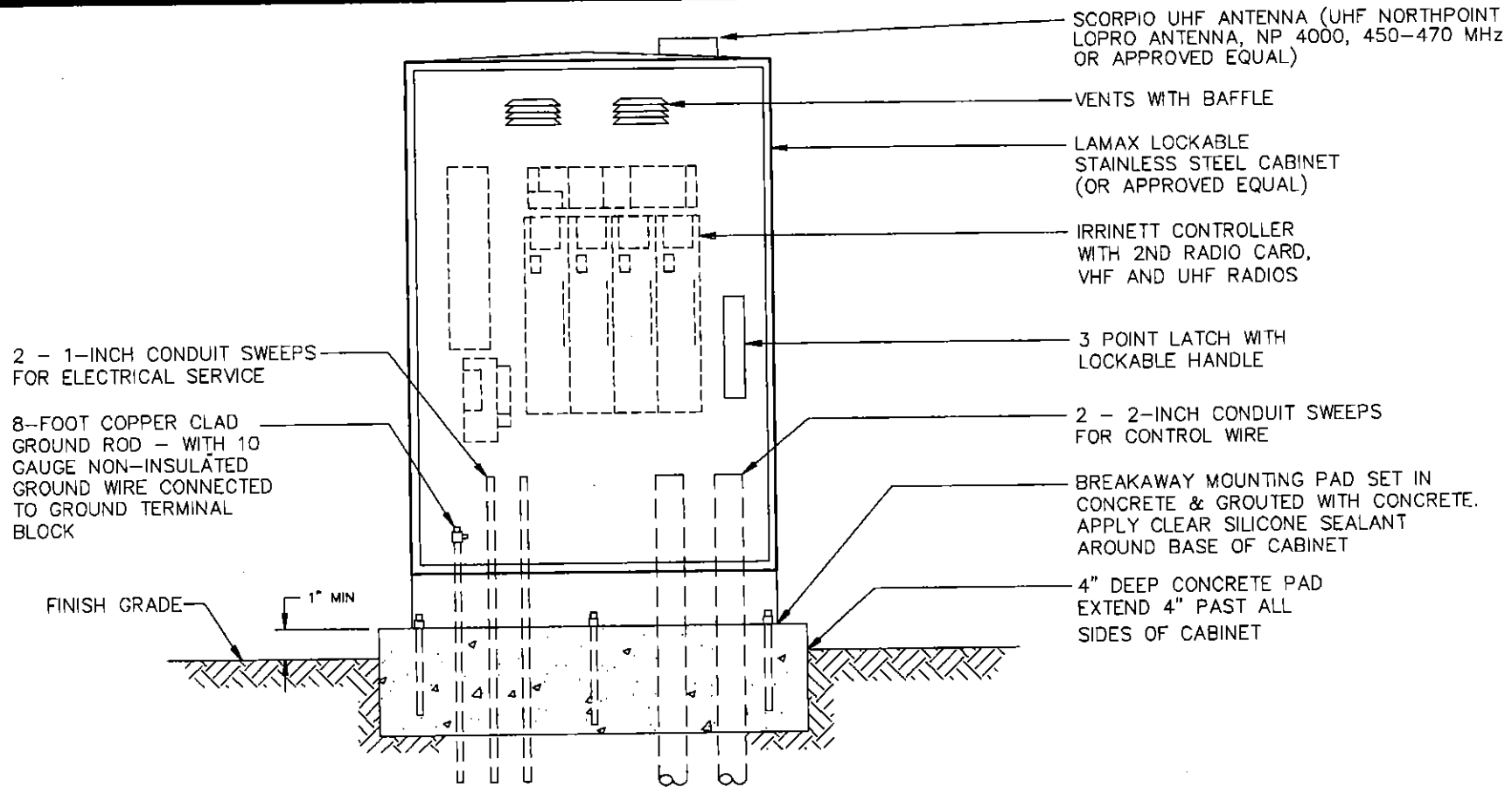
DETAIL NO.
2620-3

City of Scottsdale
Standard Details

LANDSCAPE DETAILS

DETAIL NO.
2620-3

REVISED: 4/25/02



NOTES:

1. POWER SOURCE FOR CONTROLLER TO BE HARD WIRED FROM CIRCUIT BREAKER MOUNTED INSIDE CABINET TO CONTROLLER.
2. LOCATION OF POWER SOURCE TO BE NOTED ON CIRCUIT BREAKER PANEL.
3. PROGRAMMING KEYPAD TO BE SUPPLIED WITH CONTROLLER.
4. CONTROLLER TO BE LOCATED IN AREA WITH POSITIVE DRAINAGE.
5. INSTALL ONLY ONE CONTROL VALVE WIRE PER CONTROLLER OUTPUT.
6. VHF AND UHF RADIOS TO BE TUNED TO C.O.S. FREQUENCIES. CONTACT IRRIGATION DEPARTMENT FOR INFORMATION (480-312-2189)

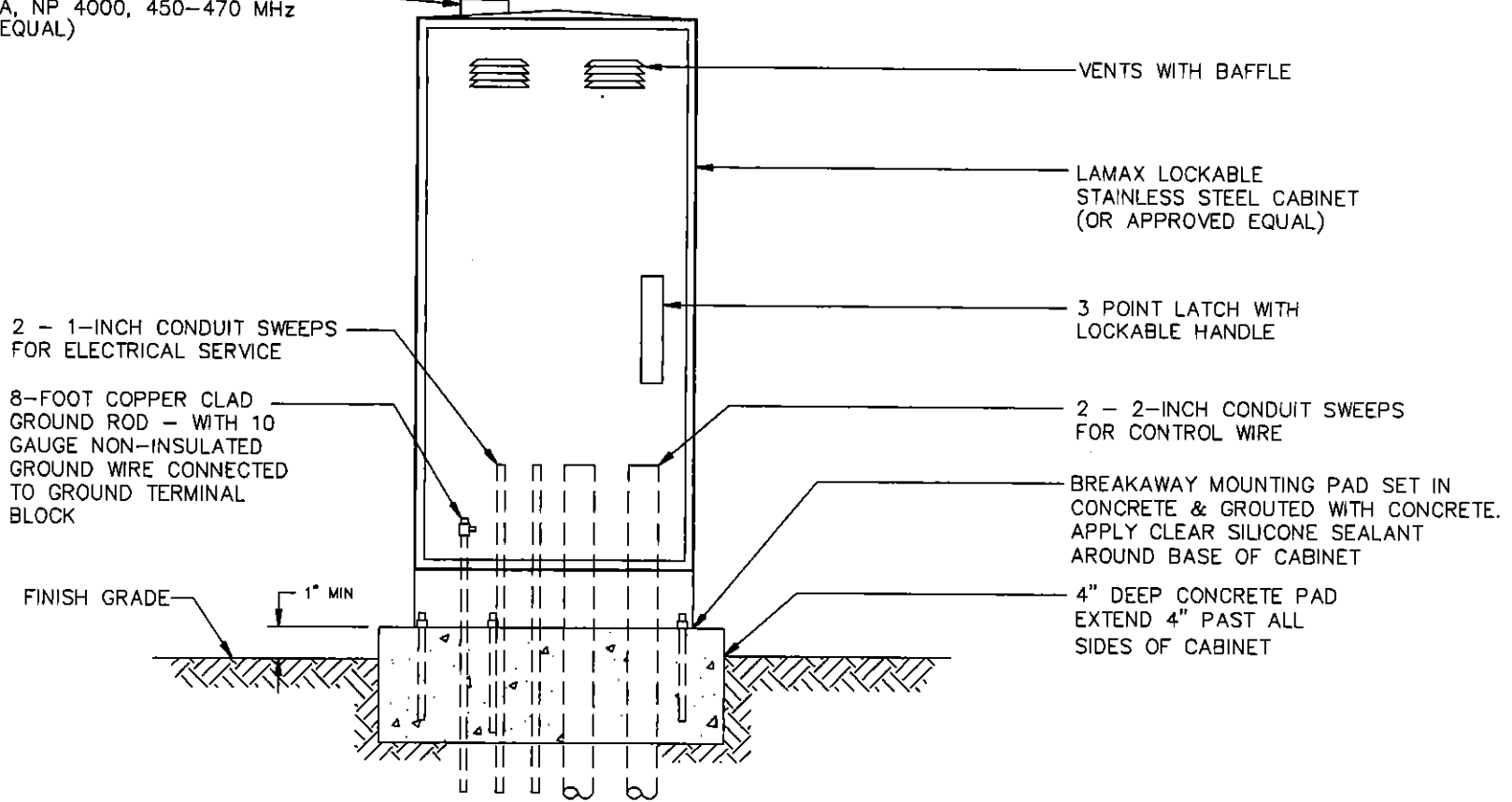
DETAIL NO.
2631

City of Scottsdale
Standard Details

IRRINET PEDESTAL MOUNTED CONTROLLER

DETAIL NO.
2631

SCORPIO UHF ANTENNA (UHF NORTHPOINT
LOPRO ANTENNA, NP 4000, 450-470 MHz
OR APPROVED EQUAL)



VENTS WITH BAFFLE

LAMAX LOCKABLE
STAINLESS STEEL CABINET
(OR APPROVED EQUAL)

3 POINT LATCH WITH
LOCKABLE HANDLE

2 - 2-INCH CONDUIT SWEEPS
FOR CONTROL WIRE

BREAKAWAY MOUNTING PAD SET IN
CONCRETE & GROUTED WITH CONCRETE.
APPLY CLEAR SILICONE SEALANT
AROUND BASE OF CABINET

4" DEEP CONCRETE PAD
EXTEND 4" PAST ALL
SIDES OF CABINET

2 - 1-INCH CONDUIT SWEEPS
FOR ELECTRICAL SERVICE

8-FOOT COPPER CLAD
GROUND ROD - WITH 10
GAUGE NON-INSULATED
GROUND WIRE CONNECTED
TO GROUND TERMINAL
BLOCK

FINISH GRADE

1" MIN

NOTES:

1. POWER SOURCE FOR CONTROLLER TO BE HARD WIRED FROM CIRCUIT BREAKER MOUNTED INSIDE CABINET TO CONTROLLER.
2. LOCATION OF POWER SOURCE TO BE NOTED ON CIRCUIT BREAKER PANEL.
3. REMOTE CONTROL VALVES FOR D.C. SCORPIO APPLICATIONS MUST HAVE D.C. LATCHING SOLENOIDS AND APPROVED SOLAR PANEL FOR POWER SOURCE.
4. JSLM NARROW BAND RADIO # 2845 G TO BE INSTALLED WITH SCORPIO CONTROLLER.
5. PROGRAMMING KEYPAD TO BE SUPPLIED WITH CONTROLLER.
6. CONTROLLER TO BE LOCATED IN AREA WITH POSITIVE DRAINAGE.
7. INSTALL ONLY ONE CONTROL VALVE WIRE PER CONTROLLER OUTPUT.
8. UHF RADIO TO BE TUNED TO C.O.S. FREQUENCIES. CONTACT IRRIGATION DEPARTMENT FOR INFORMATION (480-312-2189)

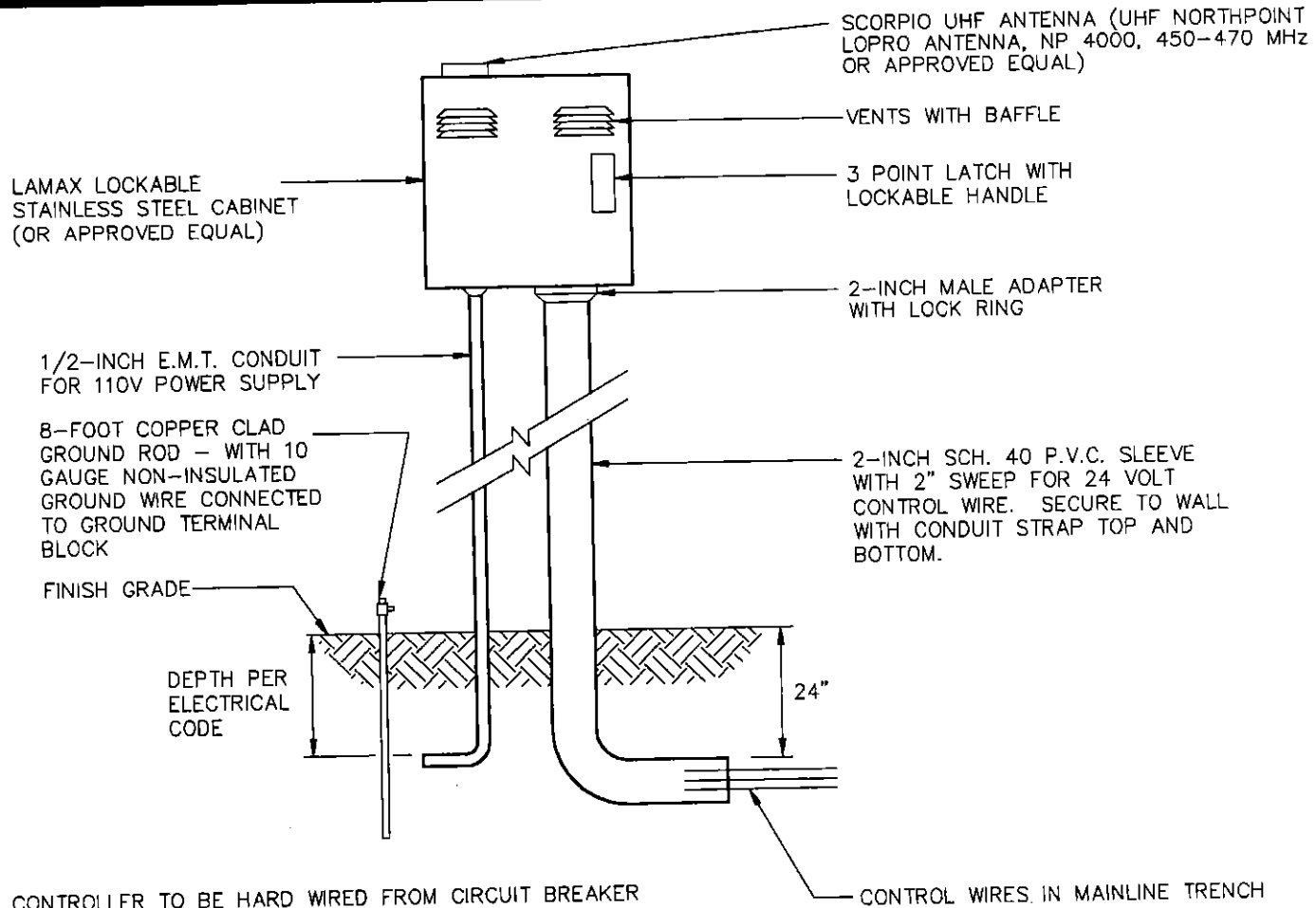
DETAIL NO.
2632

City of Scottsdale
Standard Details

SCORPIO PEDESTAL MOUNTED CONTROLLER

DETAIL NO.
2632

REVISED: 3/27/02



NOTES:

1. POWER SOURCE FOR CONTROLLER TO BE HARD WIRED FROM CIRCUIT BREAKER MOUNTED INSIDE CABINET TO CONTROLLER.
2. LOCATION OF POWER SOURCE TO BE NOTED ON CIRCUIT BREAKER PANEL.
3. REMOTE CONTROL VALVES FOR D.C. SCORPIO APPLICATIONS MUST HAVE D.C. LATCHING SOLENOIDS AND APPROVED SOLAR PANEL FOR POWER SOURCE.
4. JSLM NARROW BAND RADIO #2845 G TO BE INSTALLED WITH SCORPIO CONTROLLER.
5. INSTALL ONLY ONE CONTROL VALVE WIRE PER CONTROLLER OUTPUT.
6. UHF RADIO TO BE TUNED TO C.O.S. FREQUENCIES. CONTACT IRRIGATION DEPARTMENT FOR INFORMATION (480-312-2189)

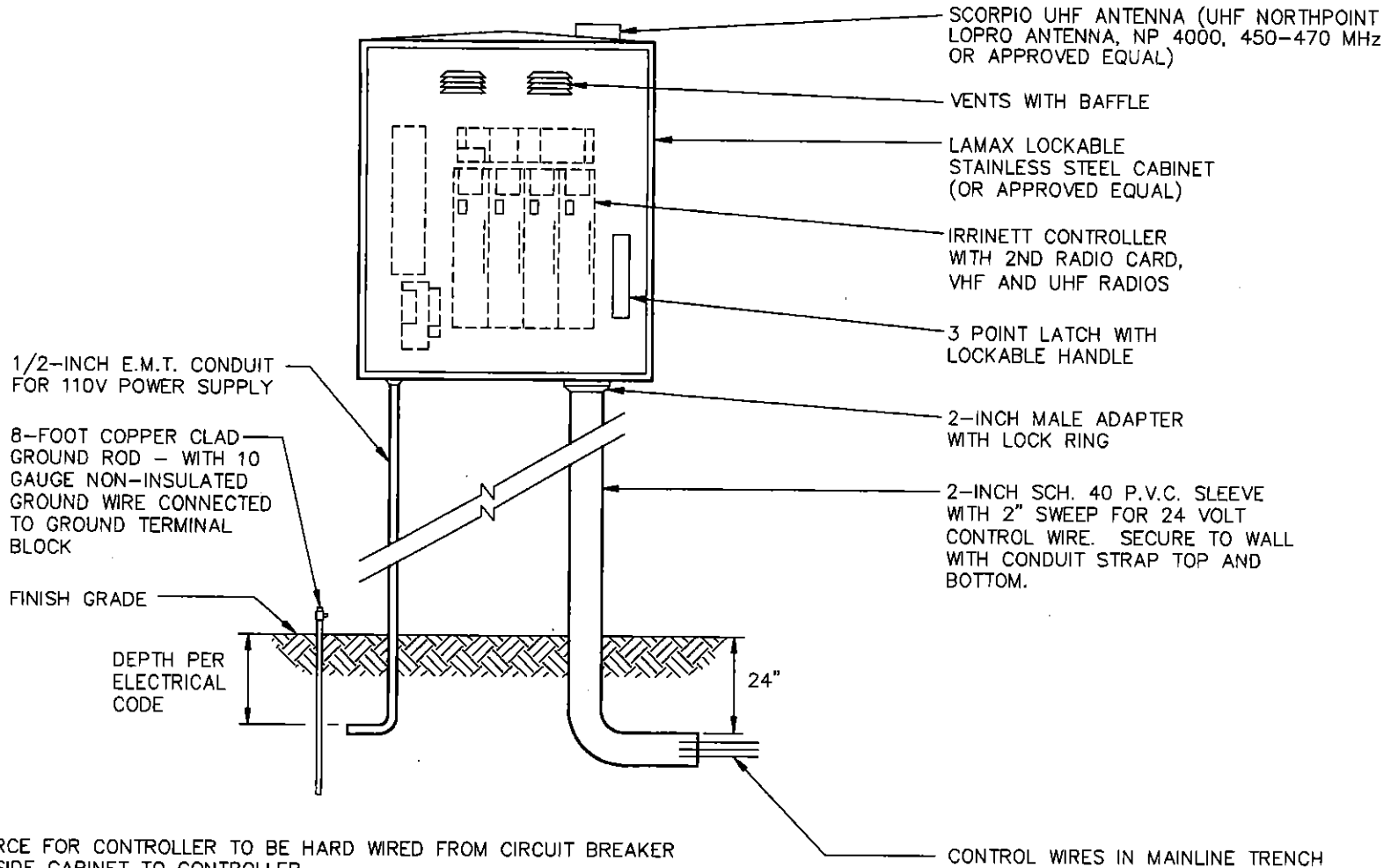
DETAIL NO.
2633

City of Scottsdale
Standard Details

SCORPIO WALL MOUNTED CONTROLLER

DETAIL NO.
2633

REVISED: 4/25/02



- NOTE:
1. POWER SOURCE FOR CONTROLLER TO BE HARD WIRED FROM CIRCUIT BREAKER MOUNTED INSIDE CABINET TO CONTROLLER.
 2. LOCATION OF POWER SOURCE TO BE NOTED ON CIRCUIT BREAKER PANEL.
 3. PROGRAMMING KEYPAD TO BE SUPPLIED WITH CONTROLLER.
 4. INSTALL ONLY ONE CONTROL VALVE WIRE PER CONTROLLER OUTPUT.
 5. VHF AND UHF RADIOS TO BE TUNED TO C.O.S. FREQUENCIES. CONTACT IRRIGATION DEPARTMENT FOR INFORMATION (480-312-2189)

DETAIL NO.
2634

City of Scottsdale
Standard Details

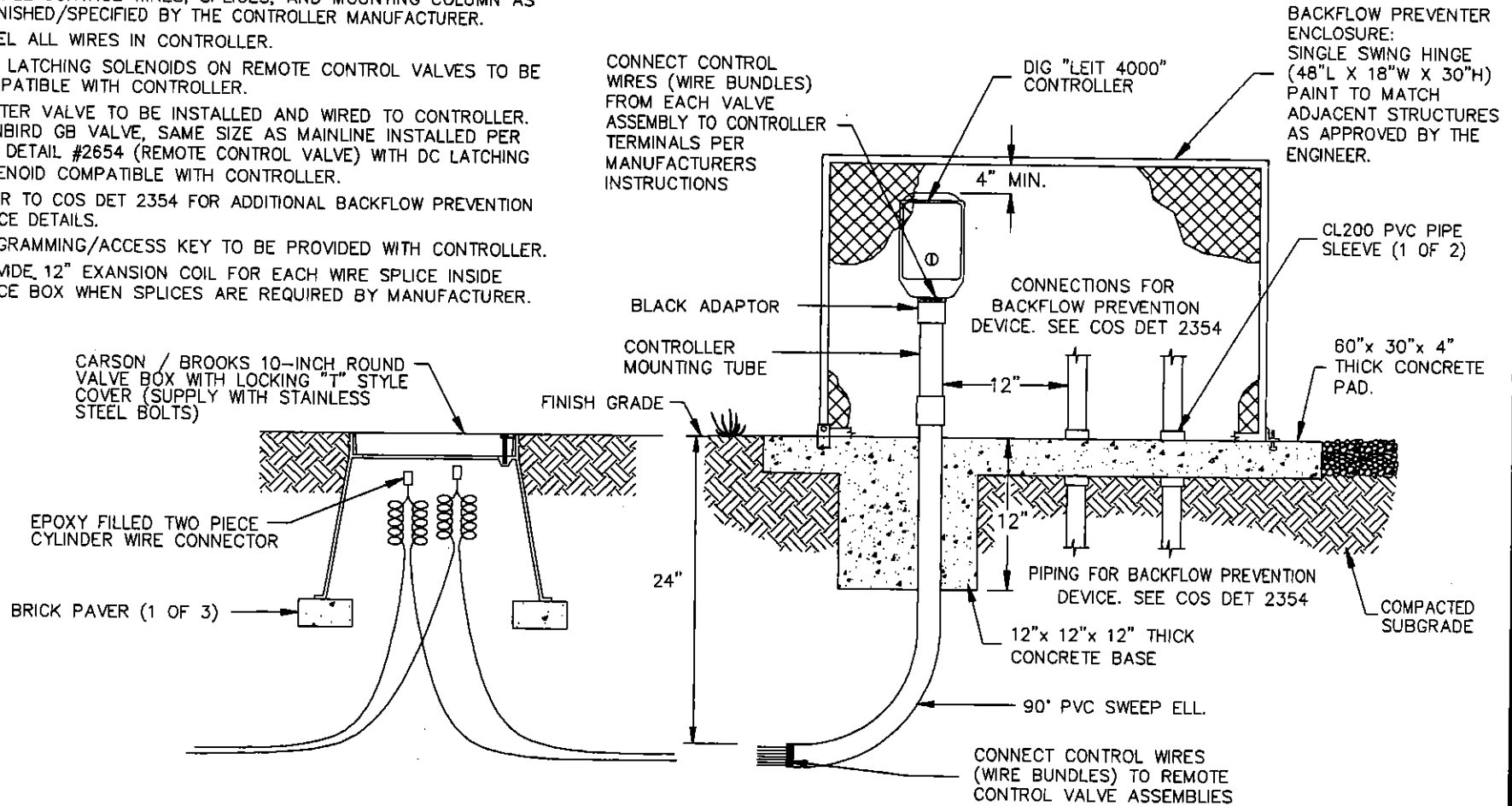
IRRINET WALL MOUNTED CONTROLLER

DETAIL NO.
2634

REVISED 4/26/02

NOTES:

1. INSTALL WIRING OF APPROPRIATE GAUGE, CONNECTORS, SEALANT, AND ADAPTORS PER MANUFACTURERS INSTRUCTIONS.
2. INSTALL CONTROL WIRES, SPLICES, AND MOUNTING COLUMN AS FURNISHED/SPECIFIED BY THE CONTROLLER MANUFACTURER.
3. LABEL ALL WIRES IN CONTROLLER.
4. D.C. LATCHING SOLENOIDS ON REMOTE CONTROL VALVES TO BE COMPATIBLE WITH CONTROLLER.
5. MASTER VALVE TO BE INSTALLED AND WIRED TO CONTROLLER. RAINBIRD GB VALVE, SAME SIZE AS MAINLINE INSTALLED PER COS DETAIL #2654 (REMOTE CONTROL VALVE) WITH DC LATCHING SOLENOID COMPATIBLE WITH CONTROLLER.
6. REFER TO COS DET 2354 FOR ADDITIONAL BACKFLOW PREVENTION DEVICE DETAILS.
7. PROGRAMMING/ACCESS KEY TO BE PROVIDED WITH CONTROLLER.
8. PROVIDE 12" EXANSION COIL FOR EACH WIRE SPLICE INSIDE SPLICE BOX WHEN SPLICES ARE REQUIRED BY MANUFACTURER.

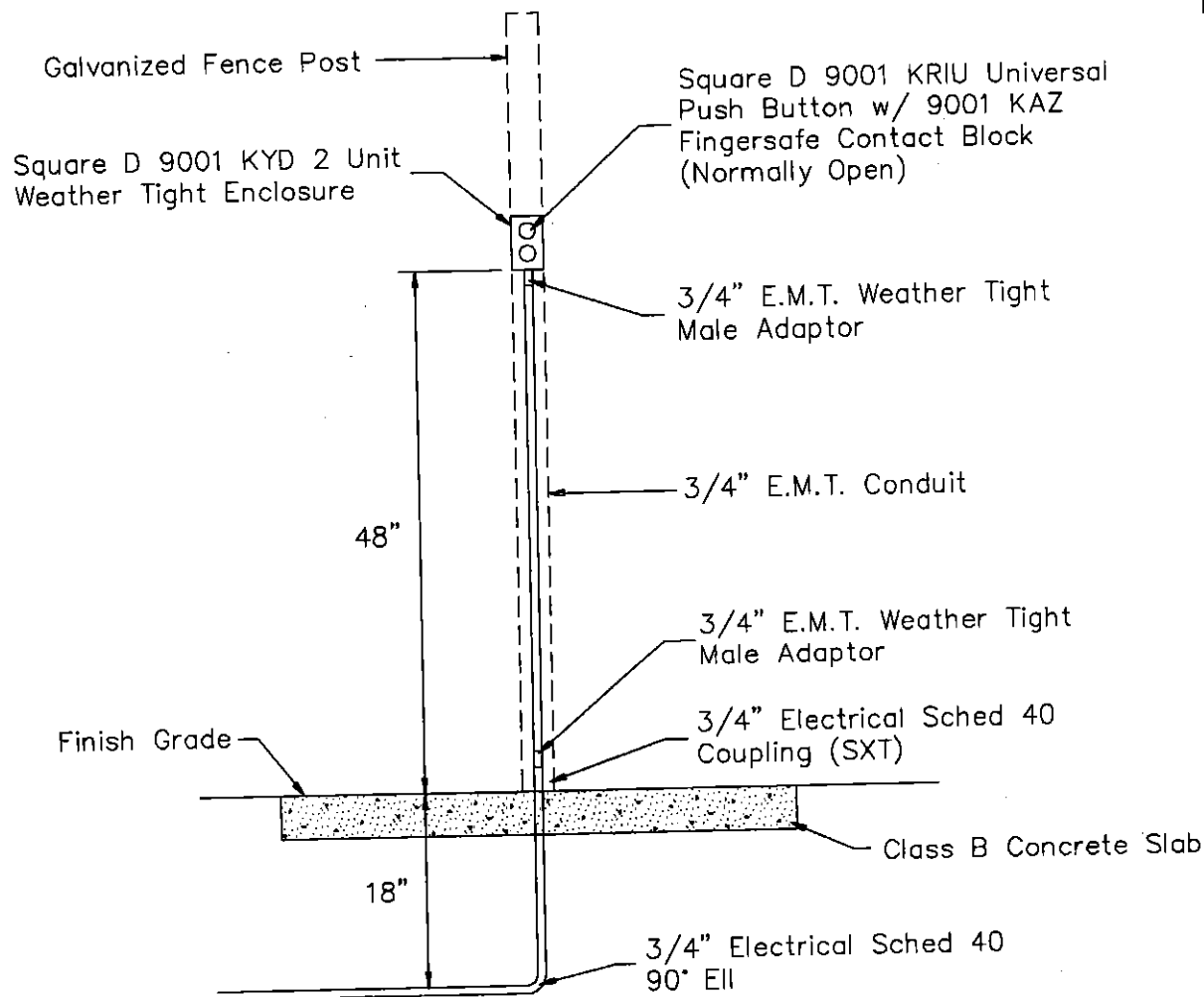


DETAIL NO.
2635-2

City of Scottsdale
Standard Details

SOLAR CONTROLLER AND BACKFLOW PREVENTER ENCLOSURE

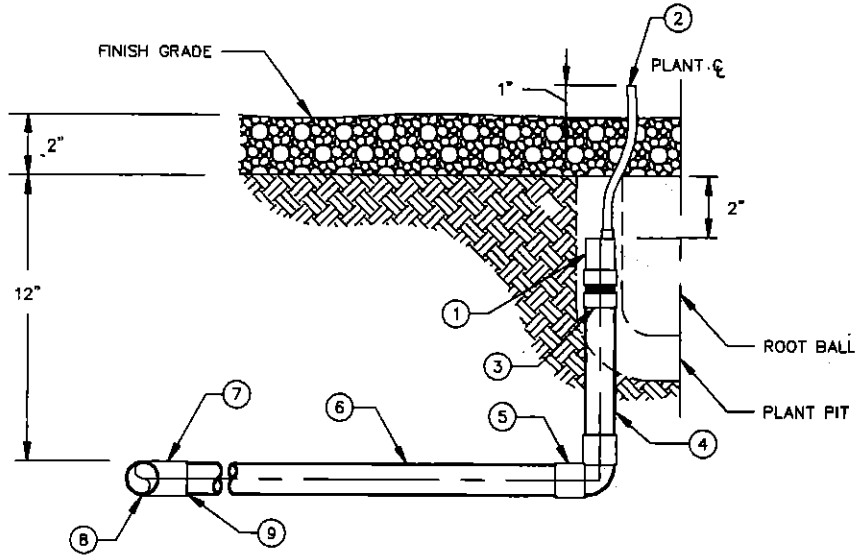
DETAIL NO.
2635-2



NOTES:

1. Install #14 ga. irrigation control wire.
2. Install one control wire per push button. Control wire to be different color from all other irrigation control wires.
3. Common wire (#12 ga) for push buttons shall be a separate common wire and not part of the irrigation control valve common wire.
4. Push button common wire to have color stripe matching push button control wire. The common wire may be shared by other push buttons.
5. Attach push button enclosure to galvanized post with two self-tapping hex head screws.
6. For other configurations/applications, contact Irrigation Dept 480-312-2189.
7. Label control wires inside enclosure and at controller to differentiate their functionality.

REVISED: 4/25/02



**SINGLE OUTLET EMITTER
ALL SHRUBS & GROUND COVER**

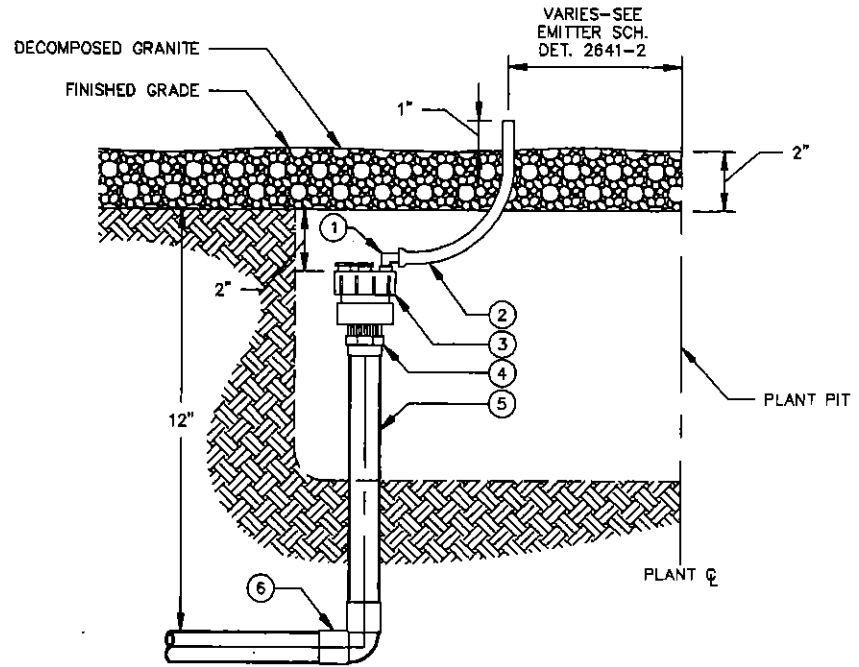
SCALE: NTS

LIST OF MATERIALS

- ① BOWSMITH SL - SERIES SINGLE PORT EMITTER OR APPROVED EQUAL. LOCATE ON UPHILL SIDE OF PLANT CENTERLINE
- ② 1/4" POLY FLEX HOSE EMITTER TUBING
- ③ 1/2" PVC SCH 40 MALE ADAPTOR
- ④ AG. PRODUCTS - 1/2" I.P.S. FLEXIBLE VINYL PVC PIPE OR APPROVED EQUAL
- ⑤ 1/2" PVC SCH 40 90° ELBOW
- ⑥ 1/2" PVC CL 315 PIPE
- ⑦ 1/2" PVC SCH 40 FITTING
- ⑧ PVC CL 315 FOR 1/2" LATERALS, PVC CL 200 FOR LATERALS GREATER THAN 1/2"
- ⑨ INSTALL BUSHING AS REQUIRED.

NOTES

- 1. PIPE CEMENT & PRIMER SHALL BE AS SPECIFIED BY MANUFACTURER FOR FLEXIBLE AND RIGID PIPE CONNECTIONS.
- 2. EMITTER TUBING EMISSION POINTS SHALL BE EQUALLY SPACED AND LOCATED TO DIRECT WATER FLOW TO THE PERIMETER OF THE DRIP LINE.
- 3. NUMBER OF OPENINGS AND EMITTER TUBES REQUIRED IS BASED ON PLANT SIZE. (SEE COS STD. DET. 2641-2)
- 4. MAXIMUM EMITTER TUBING LENGTH = 36".



**MULTI-OUTLET EMITTER
TREES ONLY**

SCALE: NTS

LIST OF MATERIALS

- ① SWIVEL OUTLET 90° ELBOW
- ② 1/4" POLY FLEX HOSE EMITTER TUBING
- ③ BOWSMITH ML 200 SERIES MULTI-PORT EMITTER OR APPROVED EQUAL. LOCATE ON UPHILL SIDE OF PLANT C
- ④ 1/2" PVC SCH 40 MALE ADAPTER
- ⑤ AG. PRODUCTS 1/2" I.P.S. FLEXIBLE VINYL PVC PIPE OR APPROVED EQUAL
- ⑥ 1/2" PVC SCH 40 FITTING

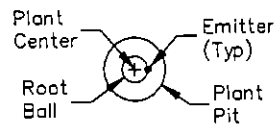
DETAIL NO.
2641-1

**City of Scottsdale
Standard Details**

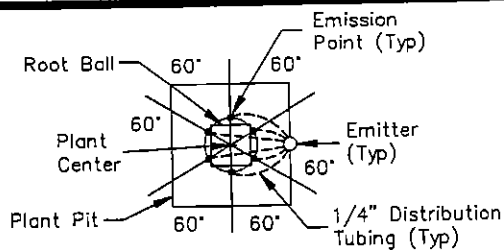
SINGLE & MULTI-OUTLET EMITTERS

DETAIL NO.
2641-1

REVISED 7/29/96

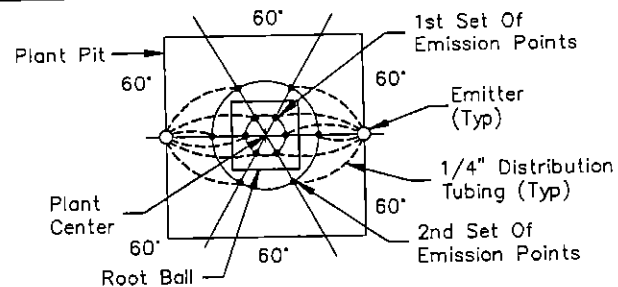


**SHRUB EMITTER
SINGLE OUTLET**



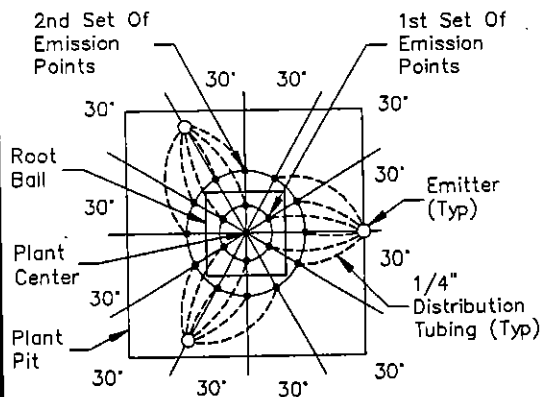
**TREE EMITTER - MULTI OUTLET
15 GAL TO 42" BOX TREES**

(SEE EMITTER SCHEDULE)



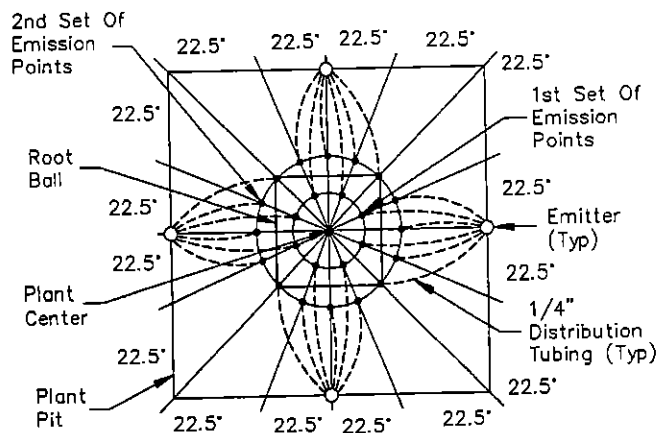
**TREE EMITTER - MULTI OUTLET
48" BOX TO 60" BOX TREES**

(SEE EMITTER SCHEDULE)



**TREE EMITTER - MULTI OUTLET
66" BOX TO 84" BOX TREES**

(SEE EMITTER SCHEDULE)



**TREE EMITTER - MULTI OUTLET
96" BOX TREES**

(SEE EMITTER SCHEDULE)

EMITTER SCHEDULE			
Tree Size	Number Of Multi Outlet Emitters - Outlet Quantity = Emitter GPH Total	Distance From Trunk	
		1st Set Of Emission Points	2nd Set Of Emission Points
15 Gal.	1-1 GPH=6 GPH	3 @ 12"	
24" Box	1-1 GPH=6 GPH	4 @ 18"	
30" Box	1-1 GPH=6 GPH	6 @ 21"	
36" Box	1-2 GPH=12 GPH	6 @ 24"	
42" Box	1-2 GPH=12 GPH	6 @ 27"	
48" Box	2-2 GPH=24 GPH	6 @ 12"	4 @ 42"
54" Box	2-2 GPH=24 GPH	6 @ 15"	5 @ 45"
60" Box	2-2 GPH=24 GPH	6 @ 18"	6 @ 48"
66" Box	3-2 GPH=36 GPH	6 @ 24"	12 @ 54"
72" Box			
78" Box	3-2 GPH=36 GPH	6 @ 30"	12 @ 60"
84" Box			
≥ 90" Box	4-2 GPH=48 GPH	8 @ 33"	16 @ 66"

DETAIL NO.
2641-2

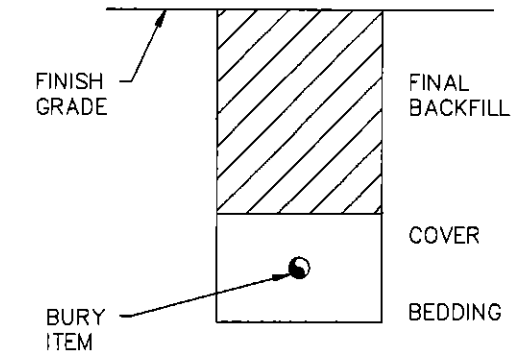
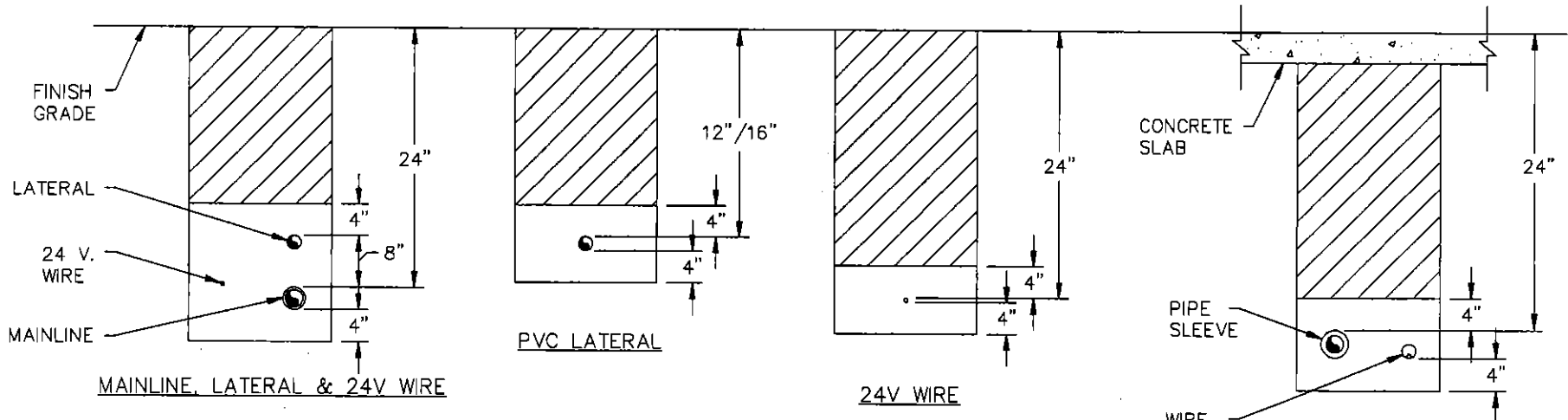
**City of Scottsdale
Standard Details**

APPROVED BY:
Scottsdale Standards & Specifications
Committee

IRRIGATION EMITTER LAYOUT

DETAIL NO.
2641-2

REVISED: 2/27/02



EXCAVATED MATERIAL SHALL BE FINELY SCREENED WITH NO ROCKS LARGER THAN 1".
 BEDDING AND COVER MATERIAL SHALL BE TOPSOIL WITH NO ROCKS.

NOTES:

1. BEDDING SHALL BE PLACED AND LEVELED PRIOR TO INSTALLATION OF BURY ITEM.
2. BACKFILL SHALL BE PLACED IN MAXIMUM 6" LIFTS.
3. SLEEVE ALL PIPE AND WIRE SEPARATELY. SLEEVE 2 X DIA. OF PIPE. ONE PIPE PER SLEEVE.
4. ALL PIPE TO BE INSTALLED PER MANUFACTURES SPECIFICATIONS WITH PIPE LABELING FACING UP FOR INSPECTION PURPOSES. PROVIDE A MINIMUM OF 2" CLEARANCE TO SIDE OF TRENCH AND BETWEEN PIPES.
5. ALL 120 V. WIRING SHALL BE INSTALLED IN ACCORDANCE WITH LOCAL CODE REQUIREMENTS.
6. TAPE AND BUNDLE IRRIGATION CONTROL WIRES EVERY 10'. PROVIDE LOOSE 20" LOOP AT ALL CHANGES OF DIRECTION OVER 30'.
7. ALL IRRIGATION CONTROLLER POWER SERVICE WIRING AND ALL VALVE WIRING NOT INSTALLED WITH MAINLINE PIPE SHALL BE INSTALLED IN A MINIMUM 2" DIAMETER SCHEDULE 80 GRAY ELECTRICAL CONDUIT.

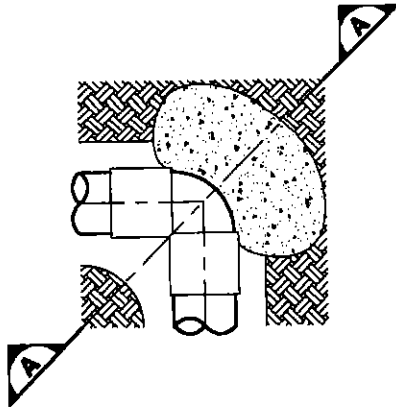
DETAIL NO.
2642

City of Scottsdale
Standard Details

IRRIGATION TRENCHING

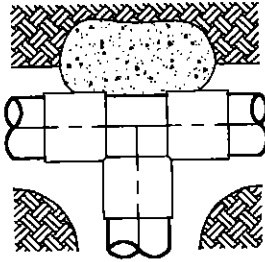
DETAIL NO.
2642

REVISED: 1/11/00



90° ELL

SCALE: NTS



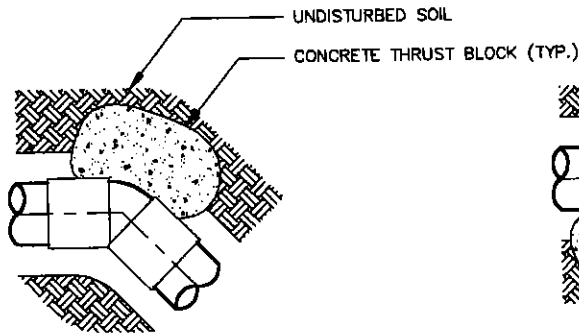
TEE

SCALE: NTS

PIPE SIZE	MINIMUM THRUST BLOCK AREA (YxW)	
	TEE, DEAD END 90° BEND	IRRIGATION PIPE
2" & LESS	1 SF	.5 SF
3"	1.5 SF	1 SF
4"	2 SF	1.5 SF
5" & LARGER	PER MAG DETAIL 380	PER MAG DETAIL 380

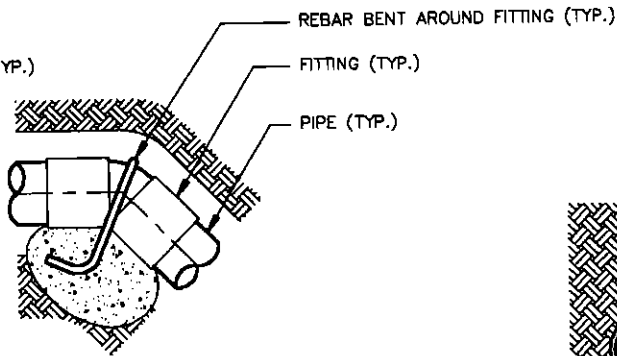
NOTES

1. MINIMUM THRUST BLOCK AREAS ARE BASED ON A SOIL BEARING CAPACITY OF 3000 LBS/SF
2. THRUST BLOCK SHALL EXTEND INTO UNDISTURBED SOIL.
3. THRUST BLOCK SHALL BE MAG SECT. 725-CLASS C.



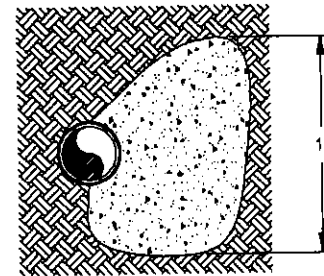
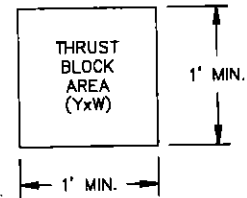
45° ELL

SCALE: NTS



45° ELL (VERTICAL)

SCALE: NTS



SECTION A

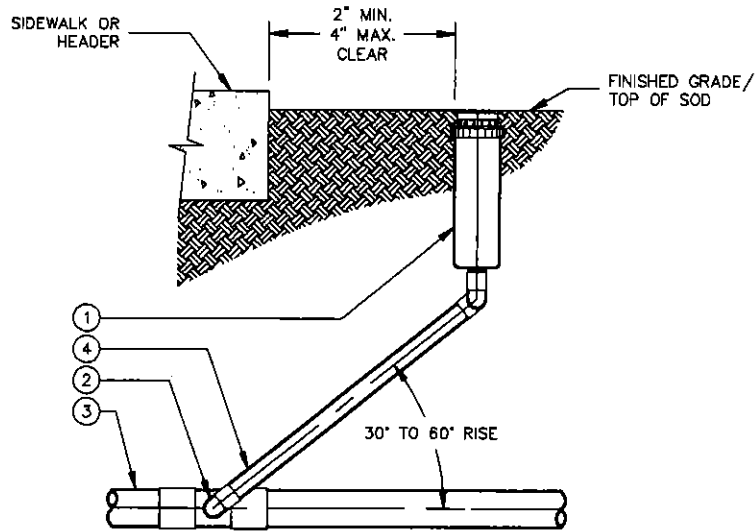
DETAIL NO.
2643

City of Scottsdale
Standard Details

IRRIGATION THRUST BLOCK

DETAIL NO.
2643

REVISED: 2/27/02

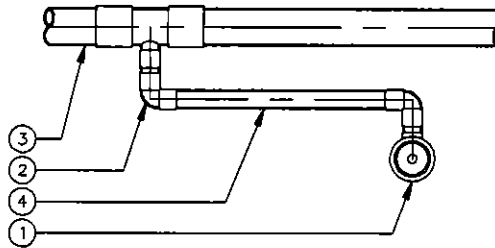


**SWING JOINT ASSEMBLY
ELEVATION**

SCALE: NTS

LIST OF MATERIALS

- ① ROTOR SPRINKLER HEAD
- ② STREET ELL (1 OF 3) SCH 40 PVC
- ③ PVC LATERAL PIPE
- ④ SCH 80 NIPPLE TBE



SWING JOINT ASSEMBLY PLAN

SCALE: NTS

NOTES

- 1. SWING JOINT TO BE THE SAME SIZE AS SPRINKLER HEAD INLET.
- 2. NO PRE-FAB SWING JOINTS
- 3. NO MARLEX FITTINGS

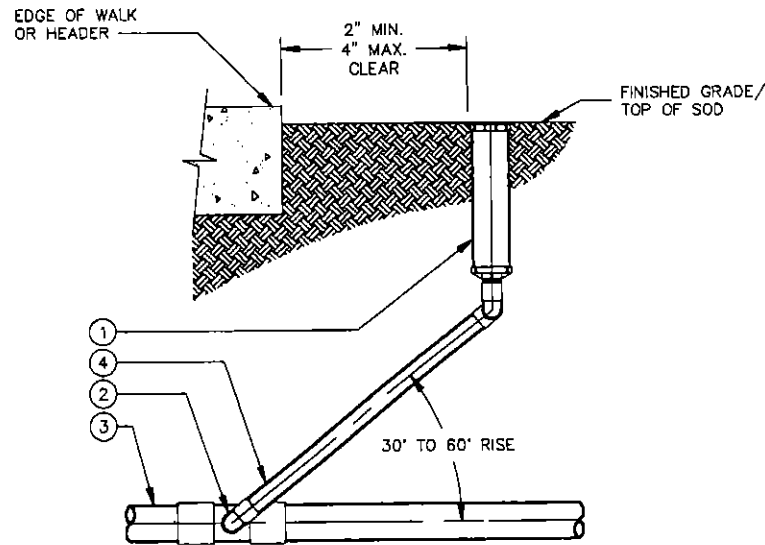
DETAIL NO.
2644

**City of Scottsdale
Standard Details**

ROTOR SPRINKLER ASSEMBLY

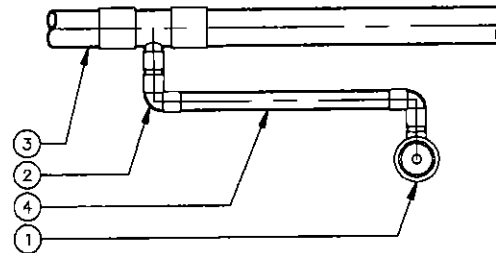
DETAIL NO.
2644

REVISED: 2/27/02



**SWING JOINT ASSEMBLY
ELEVATION**

SCALE: NTS



SWING JOINT ASSEMBLY PLAN

SCALE: NTS

LIST OF MATERIALS

- ① 4" POP-UP SPRAY SPRINKLER HEAD
- ② STREET ELL (1 OF 3) SCH 40 PVC
- ③ PVC LATERAL PIPE
- ④ SCH 80 NIPPLE TBE

NOTES

- 1. SWING JOINT TO BE THE SAME SIZE AS SPRINKLER HEAD INLET.
- 2. NO PRE-FAB SWING JOINTS
- 3. NO MARLEX FITTINGS

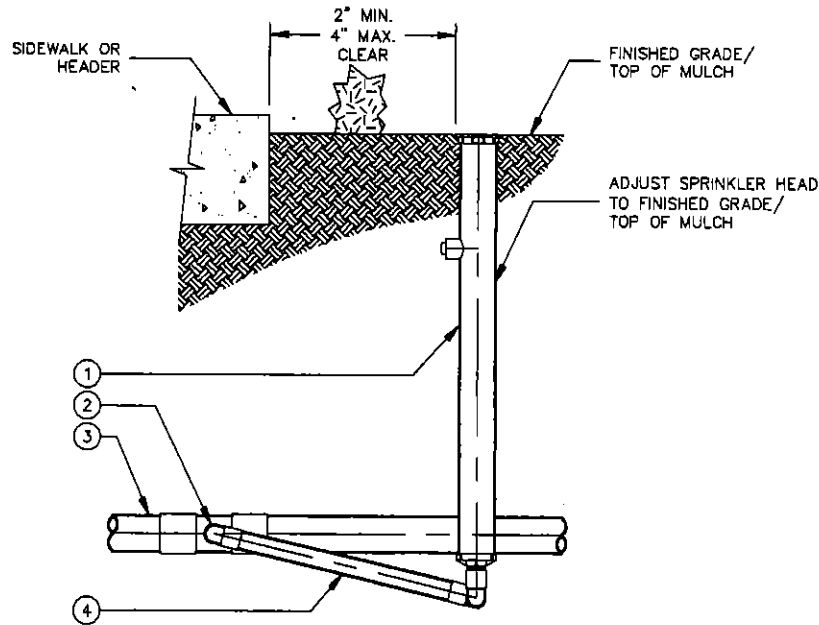
DETAIL NO.
2645

**City of Scottsdale
Standard Details**

POP-UP SPRINKLER ASSEMBLY

DETAIL NO.
2645

REVISED: 2/27/02

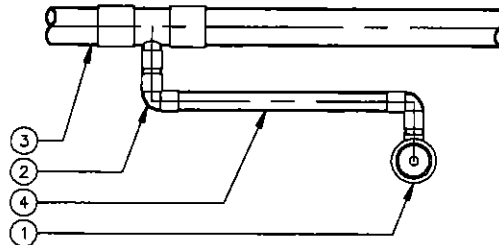


**SWING JOINT ASSEMBLY
ELEVATION**

SCALE: NTS

LIST OF MATERIALS

- ① 12" POP-UP SPRAY SPRINKLER HEAD
- ② STREET ELL (1 OF 3) SCH 40 PVC
- ③ PVC LATERAL PIPE
- ④ SCH 80 NIPPLE TBE



SWING JOINT ASSEMBLY PLAN

SCALE: NTS

NOTES

- 1. SWING JOINT TO BE THE SAME SIZE AS SPRINKLER HEAD INLET.
- 2. SWING JOINT SHALL BE CONNECTED TO BOTTOM OUTLET.
- 3. NO PRE-FAB SWING JOINTS
- 4. NO MARLEX FITTINGS

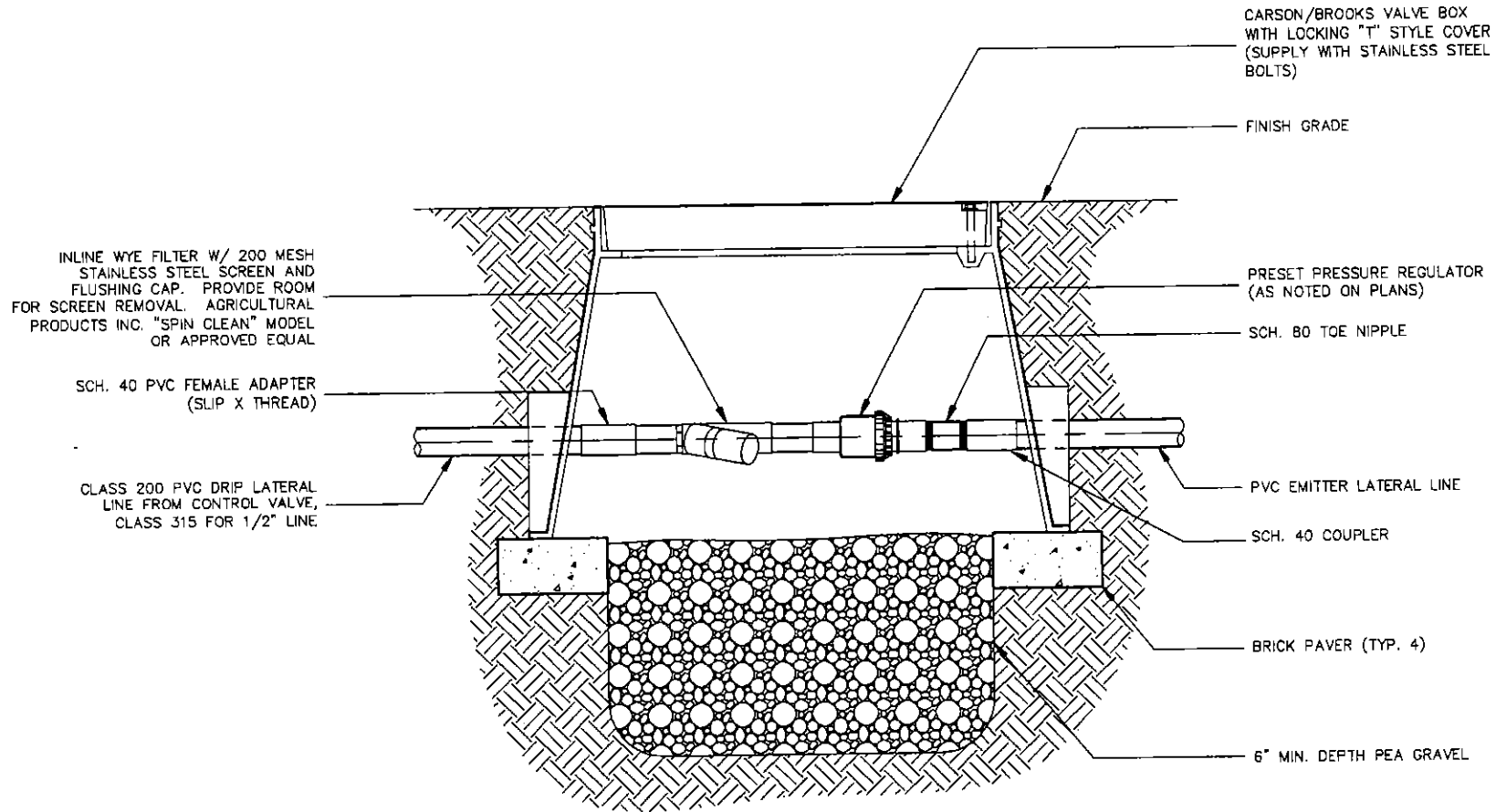
DETAIL NO.
2646

City of Scottsdale
Standard Details

SHRUB POP-UP SPRINKLER ASSEMBLY

DETAIL NO.
2646

REVISED: 3/27/02



**DRIP FILTER &
PRESS. REG. ASSEMBLY**

SCALE: NTS

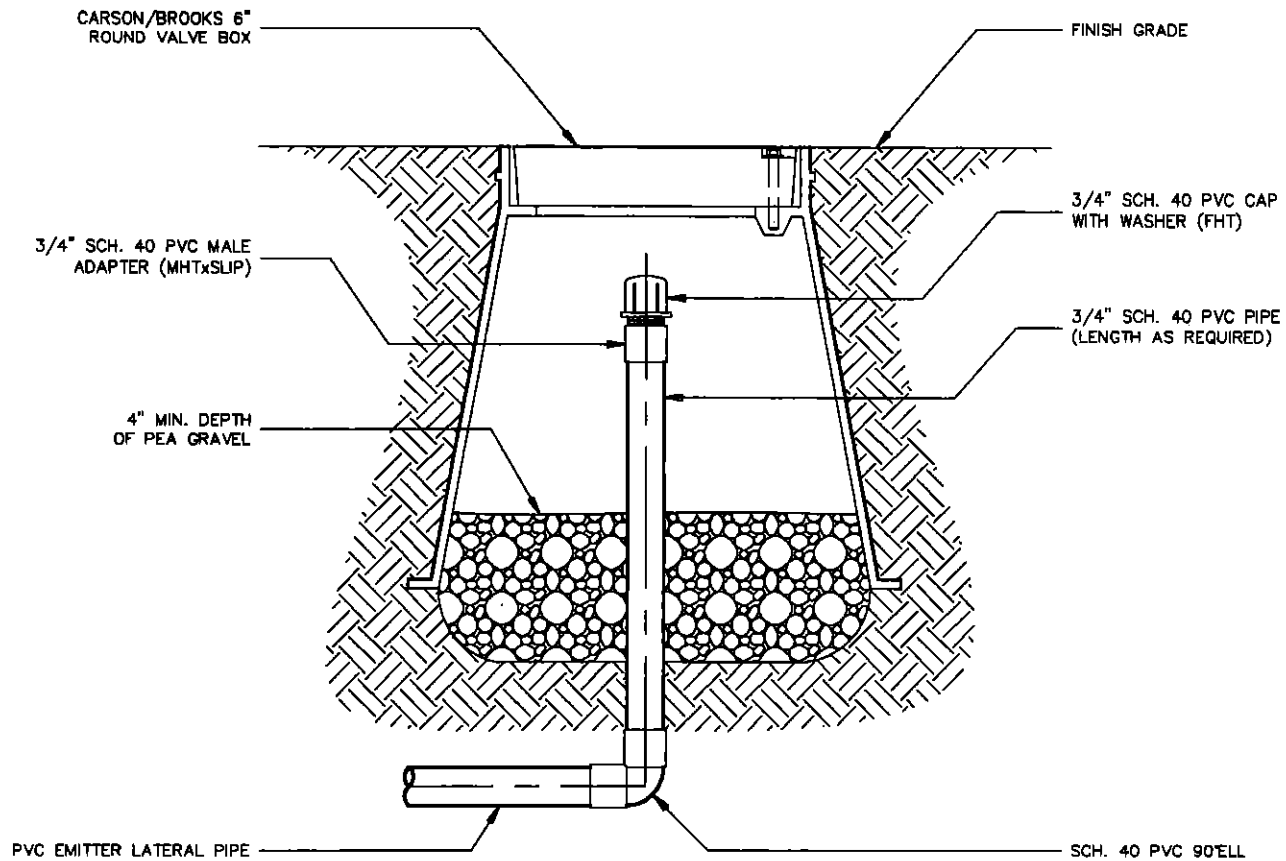
DETAIL NO.
2647

**City of Scottsdale
Standard Details**

DRIP FILTER & PRESSURE REGULATOR

DETAIL NO.
2647

REVISED: 1/5/00



EMITTER FLUSH CAP ASSEMBLY

SCALE: NTS

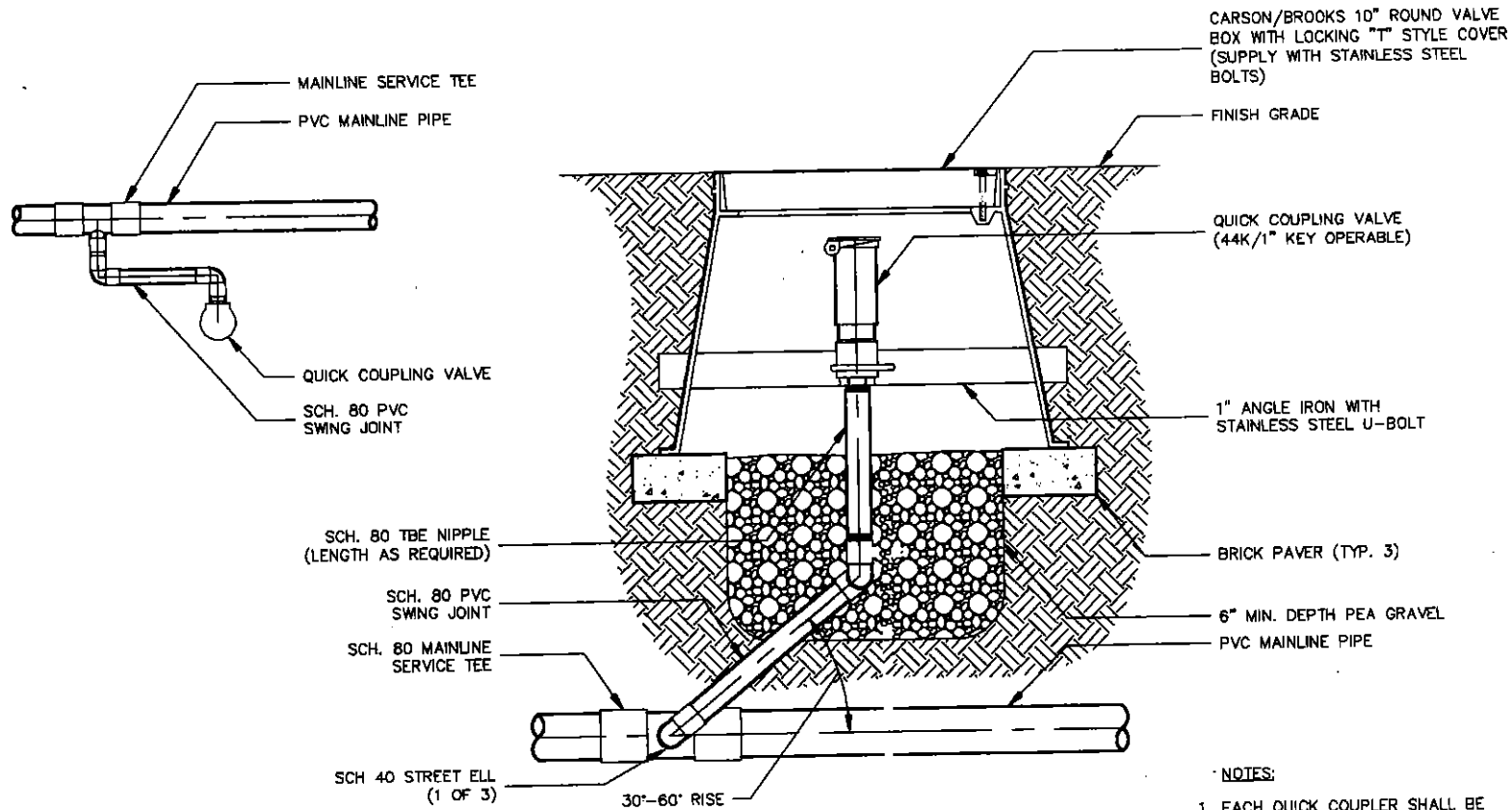
DETAIL NO.
2648

City of Scottsdale
Standard Details

EMITTER FLUSH CAP ASSEMBLY

DETAIL NO.
2648

REVISED: 2/25/01



NOTES:

1. EACH QUICK COUPLER SHALL BE IN A SEPARATE VALVE BOX.
2. SWING JOINT SHALL BE THE SAME SIZE AS QUICK COUPLER VALVE.
3. NO PRE-FAB SWING JOINTS.

QUICK COUPLER ASSEMBLY

SCALE: NTS

DETAIL NO.
2649

City of Scottsdale
Standard Details

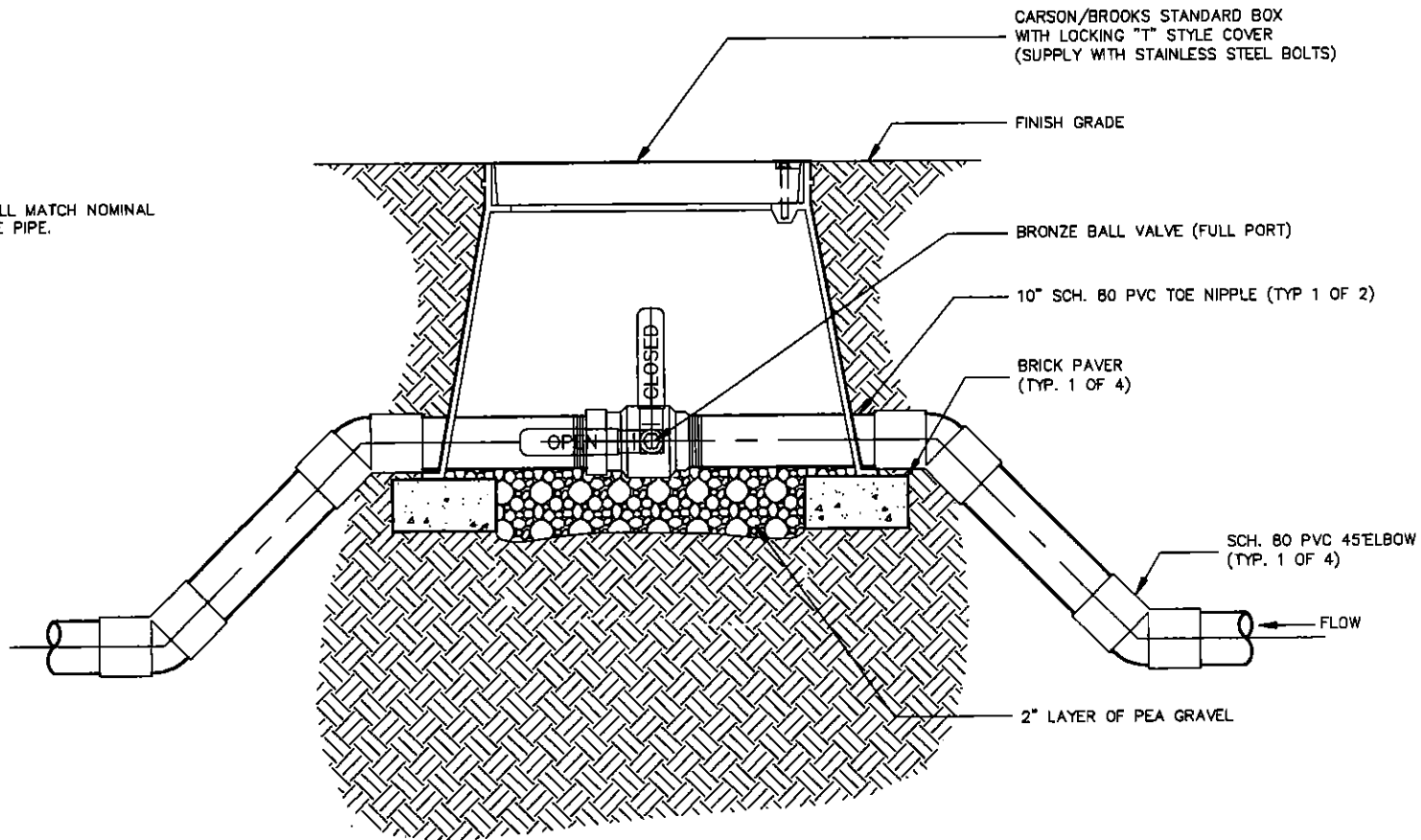
QUICK COUPLER ASSEMBLY

DETAIL NO.
2649

REVISED: 4/25/02

NOTE:

- 1. BALL VALVE SHALL MATCH NOMINAL SIZE OF MAINLINE PIPE.



**2-1/2" & SMALLER MAINLINE
ISOLATION BALL VALVE ASSEMBLY**
SCALE: NTS

DETAIL NO.
2650

**City of Scottsdale
Standard Details**

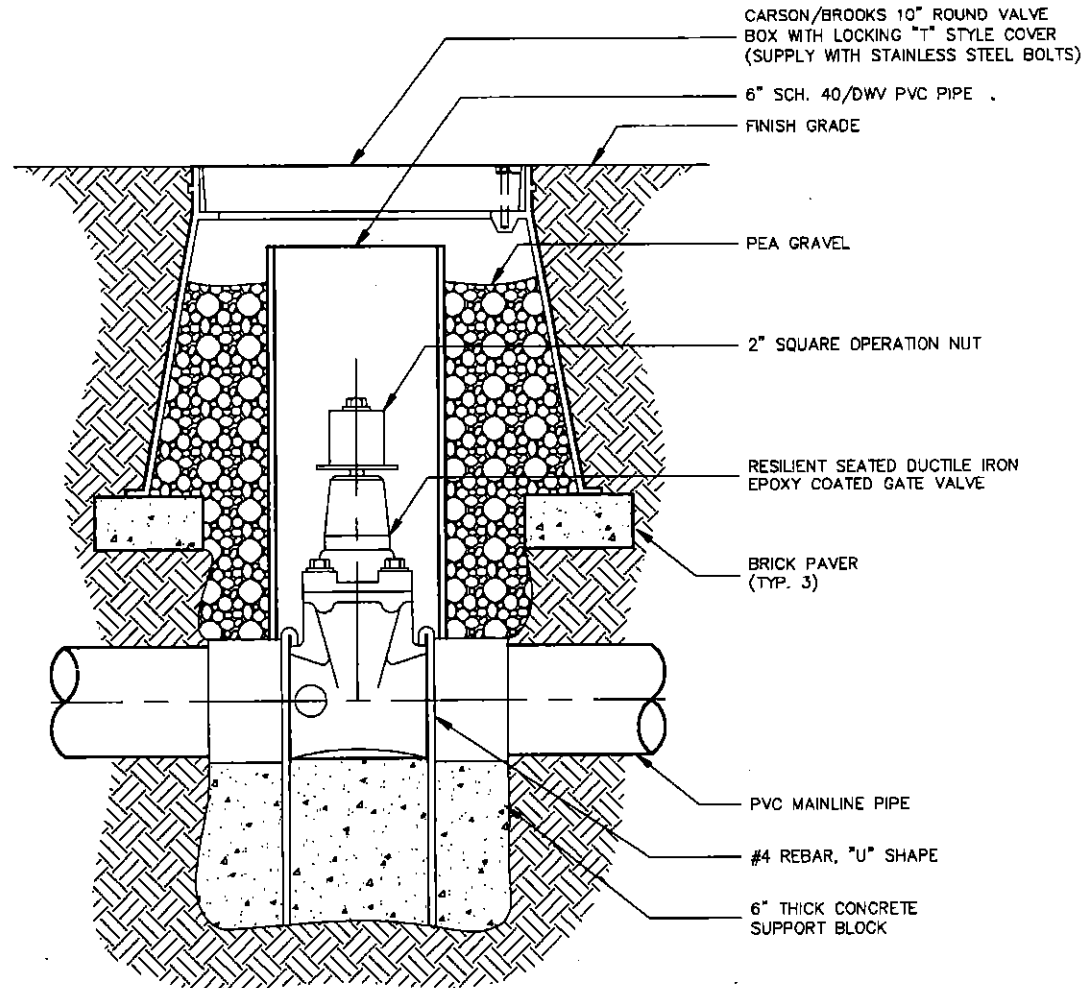
1-1/2" & SMALLER MAINLINE BALL VALVE

DETAIL NO.
2650

REVISED: 4/25/02

NOTE:

- 1. GATE VALVE SHALL MATCH NOMINAL SIZE OF MAINLINE PIPE.
- 2. PROTECT VALVE BODY WITH 10MIL PLASTIC PRIOR TO INSTALLATION OF REBAR & SUPPORT BLOCK.



**3" & LARGER MAINLINE ISOLATION
GATE VALVE ASSEMBLY**
SCALE: NTS

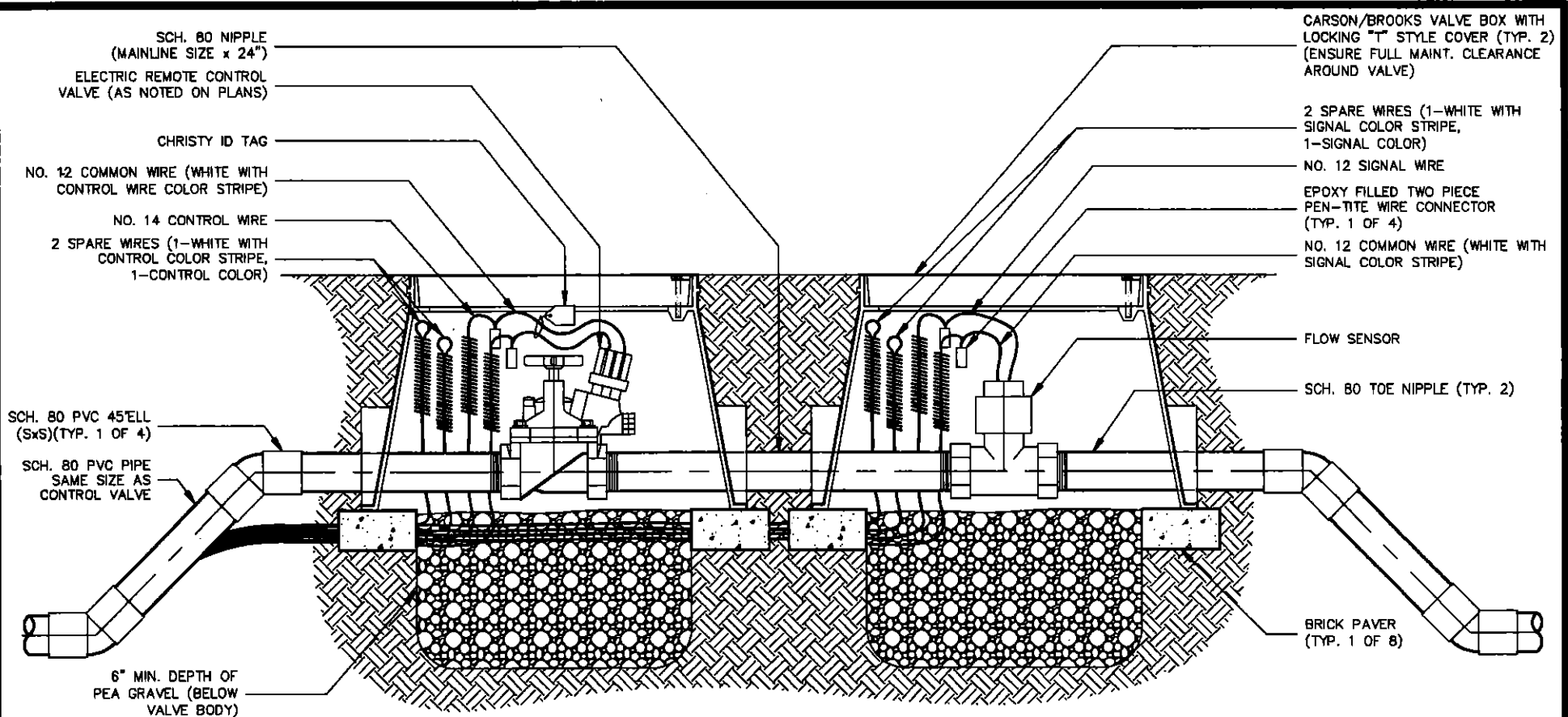
DETAIL NO.
2651

City of Scottsdale
Standard Details

2" & LARGER MAINLINE ISOLATION GATE VALVE

DETAIL NO.
2651

REVISED: 3/30/00



FLOW →

**2" & SMALLER MASTER VALVE/
FLOW METER ASSEMBLY**

SCALE: NTS

NOTES:

1. PROVIDE 30" SLACK WIRE IN 3/4" COILS FOR EACH WIRE ENTERING VALVE BOX.
2. INSTALL VALVE I.D. TAG WITH CONTROLLER IDENTIFICATION AND STATION NUMBER WHICH CORRESPONDS TO THE PLANS.
3. MAINTAIN 2" MIN.-4" MAX. DISTANCE BETWEEN TOP OF CONTROL VALVE AND BOTTOM OF BOX LID.
4. CONTROL AND SIGNAL WIRE FROM MASTER VALVE TO CONTROLLER TO BE SEPARATE COLOR FROM OTHER VALVE WIRE. (CONTROL AND SIGNAL COMMONS TO BE SEPARATE FROM ANY OTHERS COMMONS IN THE SYSTEM.)
5. A DATA INDUSTRIAL MODEL 600-30 PULSE OUTPUT TRANSMITTER IS REQUIRED TO BE MOUNTED INSIDE THE CONTROLLER CABINET (SEE CITY IRRIGATION SUPERVISOR FOR WRING INFORMATION).

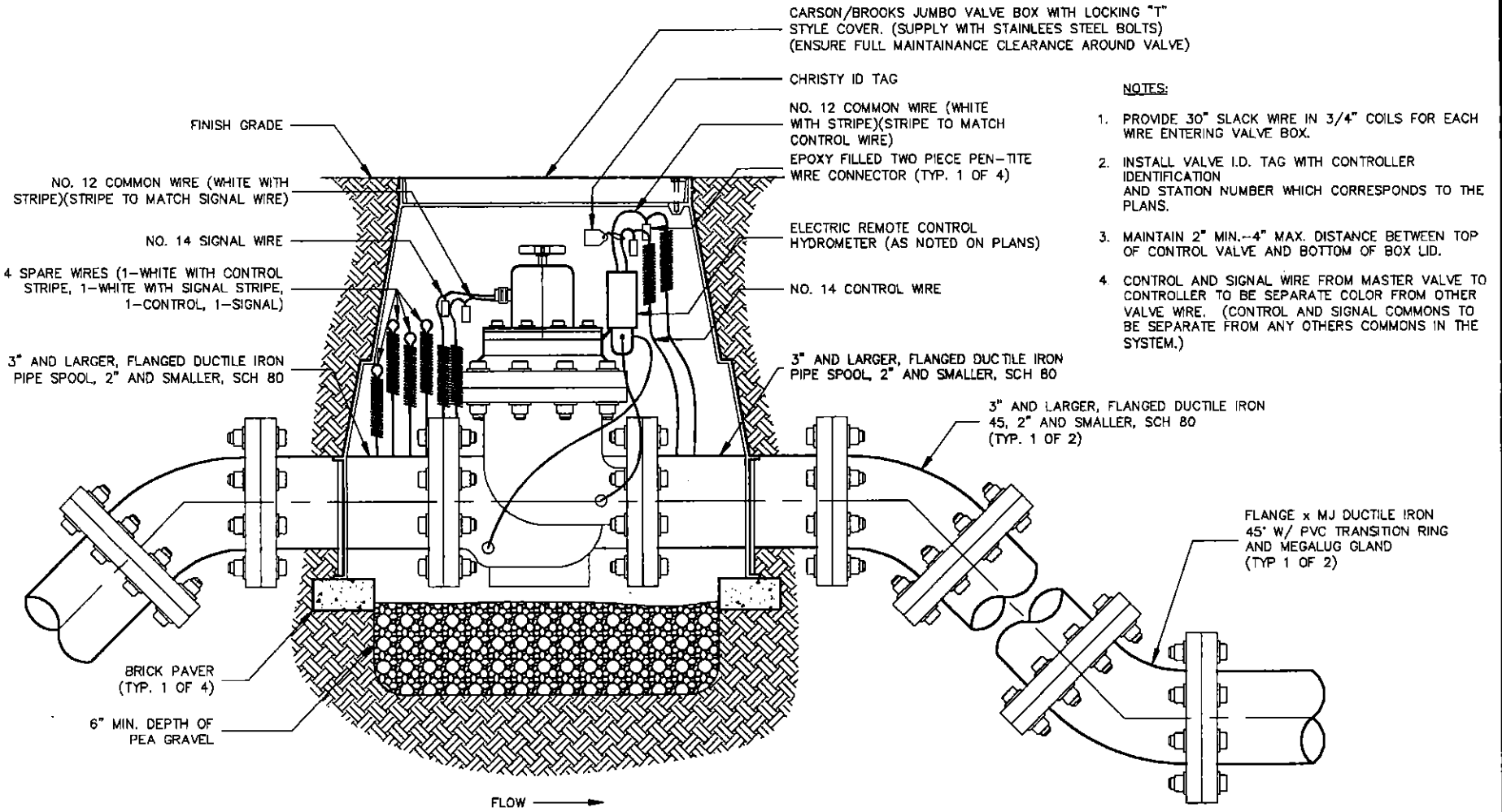
DETAIL NO.
2652

City of Scottsdale
Standard Details

2" OR SMALLER MASTER VALVE / FLOW METER

DETAIL NO.
2652

REVISED: 4/25/02



NOTES:

1. PROVIDE 30" SLACK WIRE IN 3/4" COILS FOR EACH WIRE ENTERING VALVE BOX.
2. INSTALL VALVE I.D. TAG WITH CONTROLLER IDENTIFICATION AND STATION NUMBER WHICH CORRESPONDS TO THE PLANS.
3. MAINTAIN 2" MIN.--4" MAX. DISTANCE BETWEEN TOP OF CONTROL VALVE AND BOTTOM OF BOX LID.
4. CONTROL AND SIGNAL WIRE FROM MASTER VALVE TO CONTROLLER TO BE SEPARATE COLOR FROM OTHER VALVE WIRE. (CONTROL AND SIGNAL COMMONS TO BE SEPARATE FROM ANY OTHERS COMMONS IN THE SYSTEM.)

MASTER VALVE / FLOW METER ASSEMBLY

SCALE: NTS

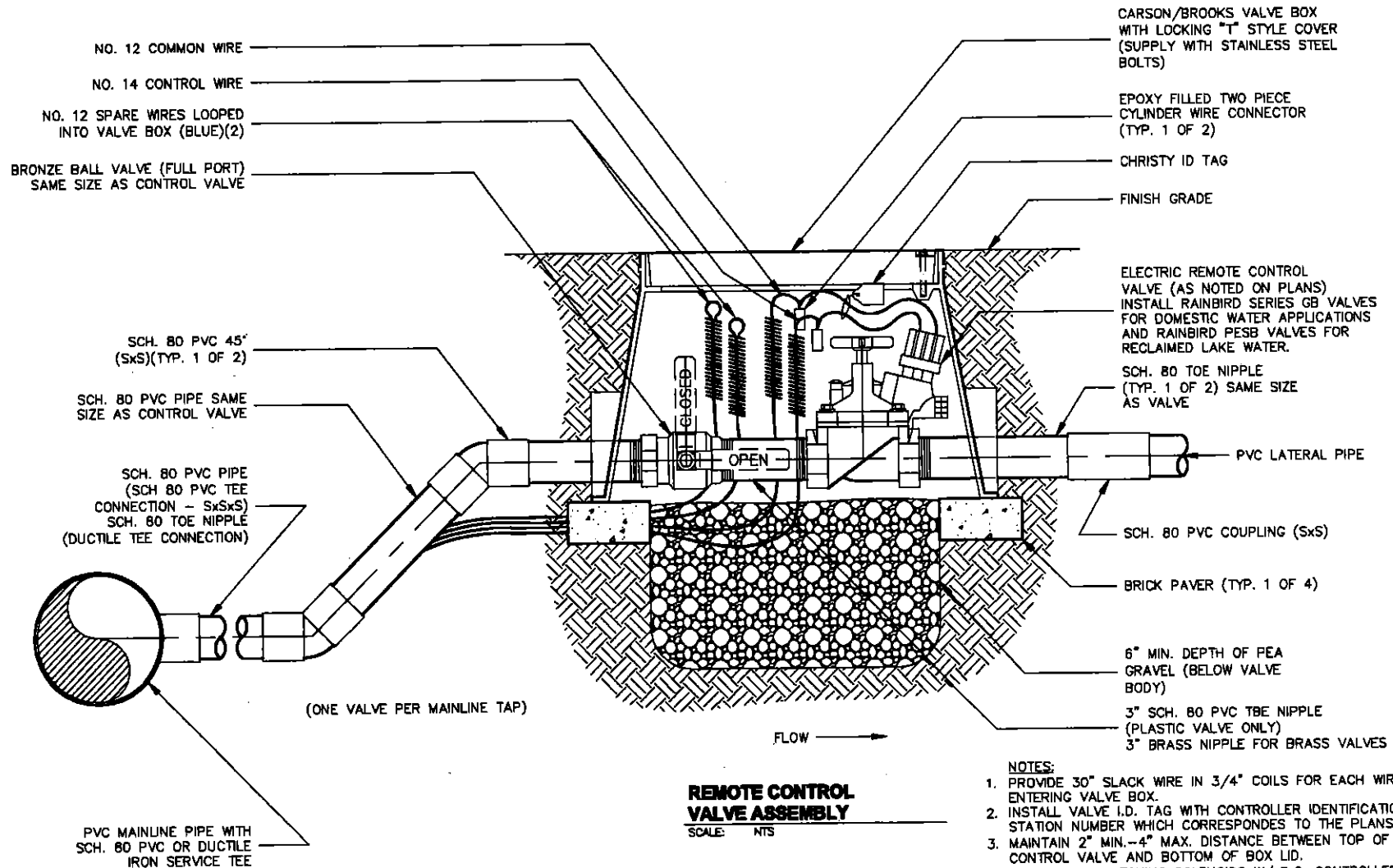
DETAIL NO.
2653

City of Scottsdale
Standard Details

MASTER VALVE / FLOW METER

DETAIL NO.
2653

REVISED: 2/26/01



REMOTE CONTROL VALVE ASSEMBLY

SCALE: NTS

NOTES:

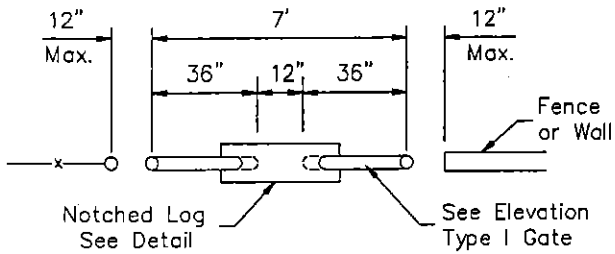
1. PROVIDE 30" SLACK WIRE IN 3/4" COILS FOR EACH WIRE ENTERING VALVE BOX.
2. INSTALL VALVE I.D. TAG WITH CONTROLLER IDENTIFICATION AND STATION NUMBER WHICH CORRESPONDES TO THE PLANS.
3. MAINTAIN 2" MIN.-4" MAX. DISTANCE BETWEEN TOP OF CONTROL VALVE AND BOTTOM OF BOX LID.
4. INSTALL D.C. LATCHING SOLENOIDS W/ D.C. CONTROLLERS.
5. FOR BRASS CONTROL VALVES, INSTALL 3" BRASS TBE NIPPLE BETWEEN BALL VALVE AND CONTROL VALVE

DETAIL NO.
2654

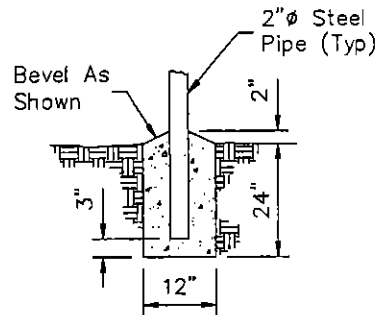
City of Scottsdale
Standard Details

REMOTE CONTROL VALVE ASSEMBLY

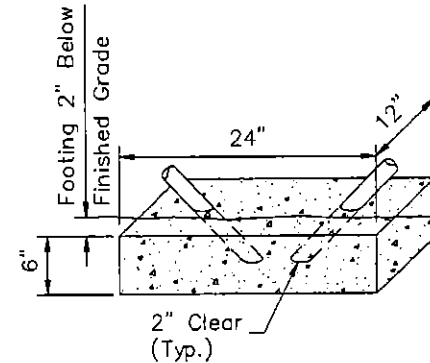
DETAIL NO.
2654



**TYPE I GATE
w/ NOTCHED LOG**



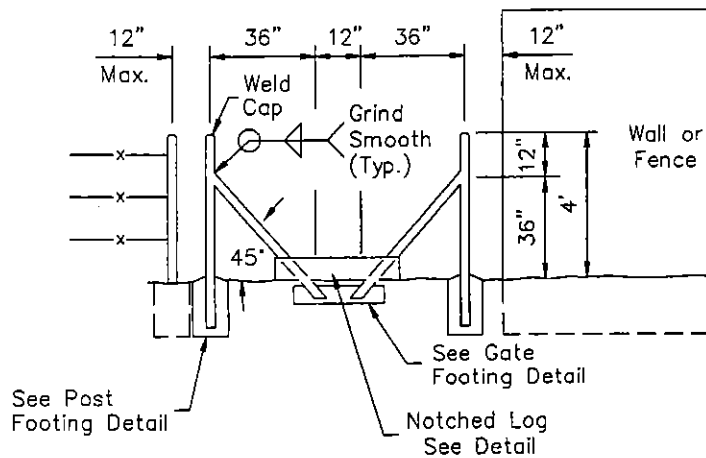
**POST FOOTING
DETAIL**



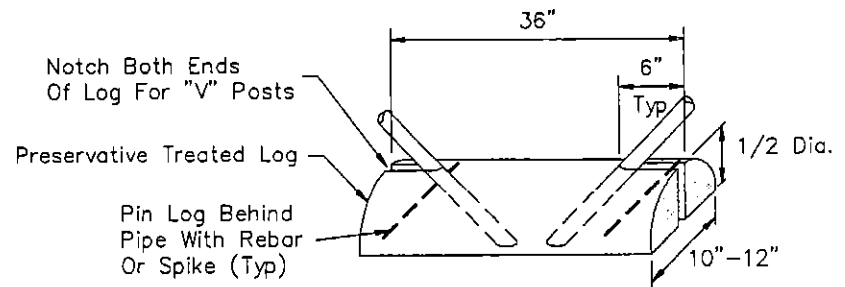
**GATE FOOTING
DETAIL**

NOTES:

1. All Concrete Shall Be Class "B".
2. Paint Rails Per ADOT Specifications. Color Per Plans.
3. Treated Wood Per MAG Section 779.



**ELEVATION
TYPE I GATE**



NOTCHED LOG DETAIL

DETAIL NO.
2680-1

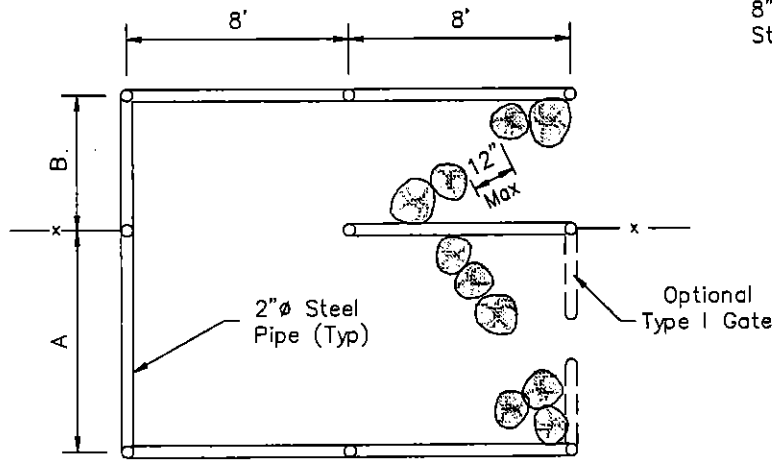
**City of Scottsdale
Standard Details**

APPROVED BY:

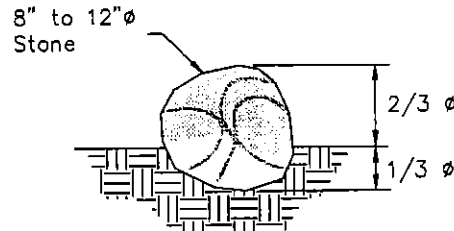
[Signature]

TRAIL ACCESS GATES

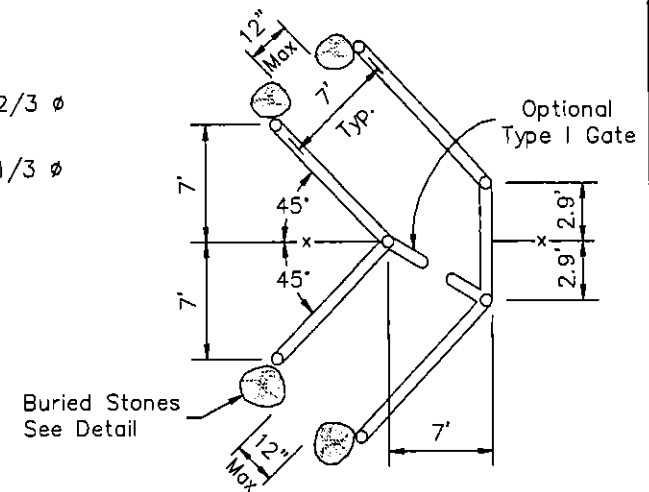
DETAIL NO.
2680-1



TYPE II GATE

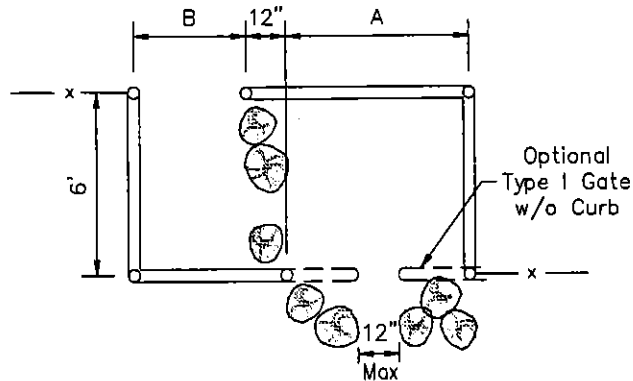


**BURIED STONE
DETAIL**



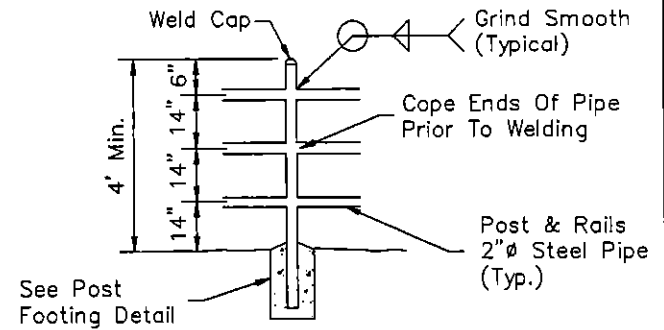
TYPE IV GATE

NOTE:
Gate barriers for Type II, III and IV gates shall be buried stones or Type I gate as shown on plan.



TYPE III GATE

TYPE II and III GATE DIMENSIONS		
GATE BARRIER	A	B
Type I	7'	4'
Buried Rocks	4'	4'



**TYPICAL RAIL ELEVATION
TYPE II, III & IV GATE**

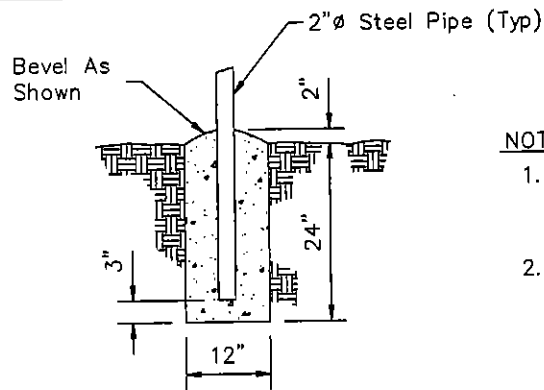
DETAIL NO.
2680-2

City of Scottsdale
Standard Details

APPROVED BY:
Janna Stewart

TRAIL ACCESS GATES

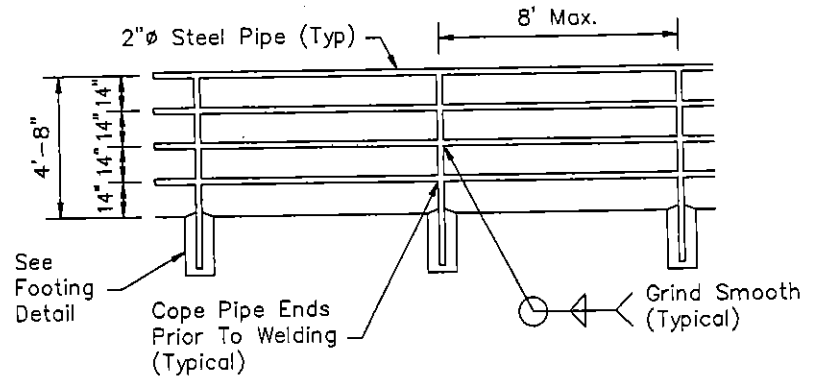
DETAIL NO.
2680-2



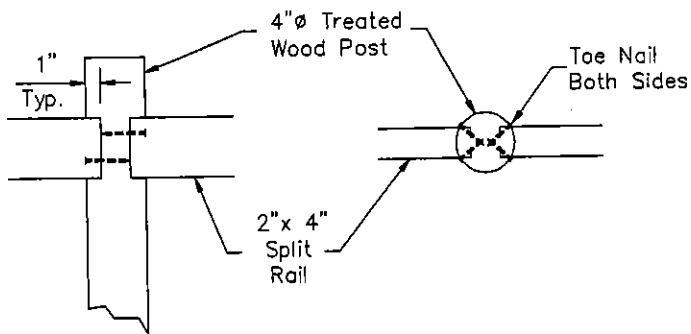
CONCRETE FOOTING DETAIL

NOTES:

1. Paint Rails Per ADOT Specifications. Color Per Plan.
2. Treated Wood Posts Per MAG Section 779.



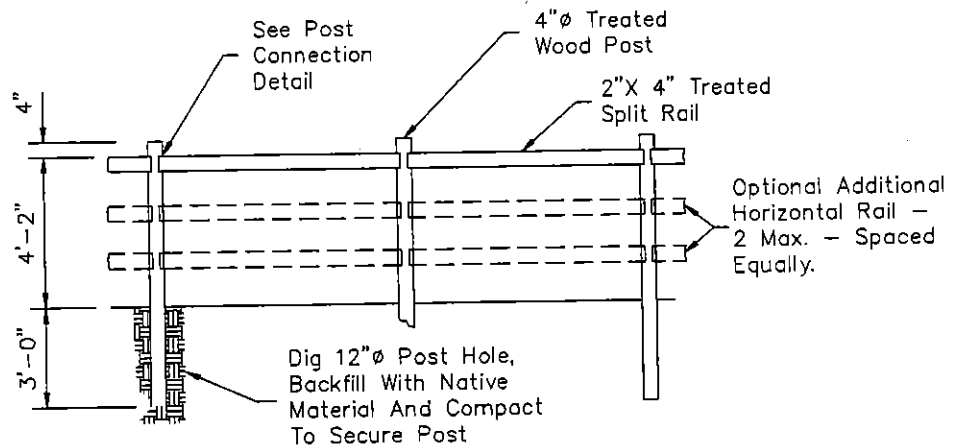
STEEL RAIL



ELEVATION

PLAN

POST CONNECTION DETAIL



POST AND RAIL

DETAIL NO.
2682

**City of Scottsdale
Standard Details**

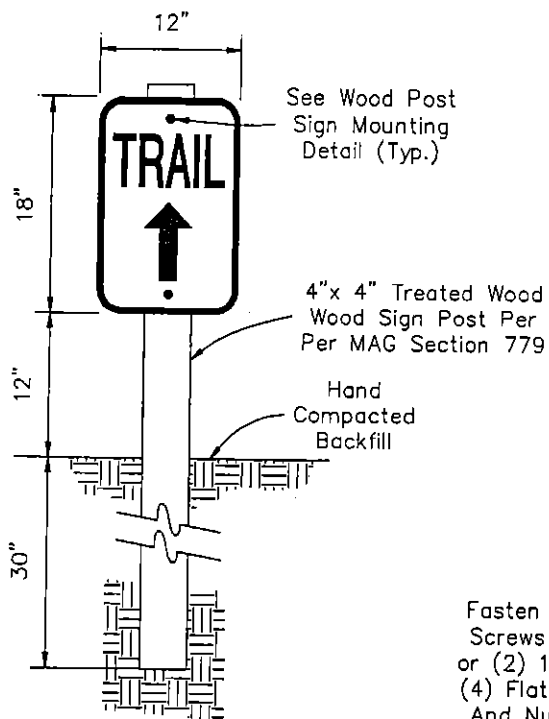
APPROVED BY:
Jayna Stewart, P.E.

TRAIL SAFETY BARRIERS

DETAIL NO.
2682

NOTES:

1. Signs shall conform to C.O.S. Supplemental Specifications, Section 402.3.
2. Signs to be mounted on square perforated tubing per C.O.S. Std Det 2131 within C.O.S. Right-of-Way. Treated wood post may be used for trail markers located outside C.O.S. Right-of-Way.
3. Legends shall be reflectorized white vinyl sheeting on a green or brown vinyl background unless otherwise approved by the City of Scottsdale.

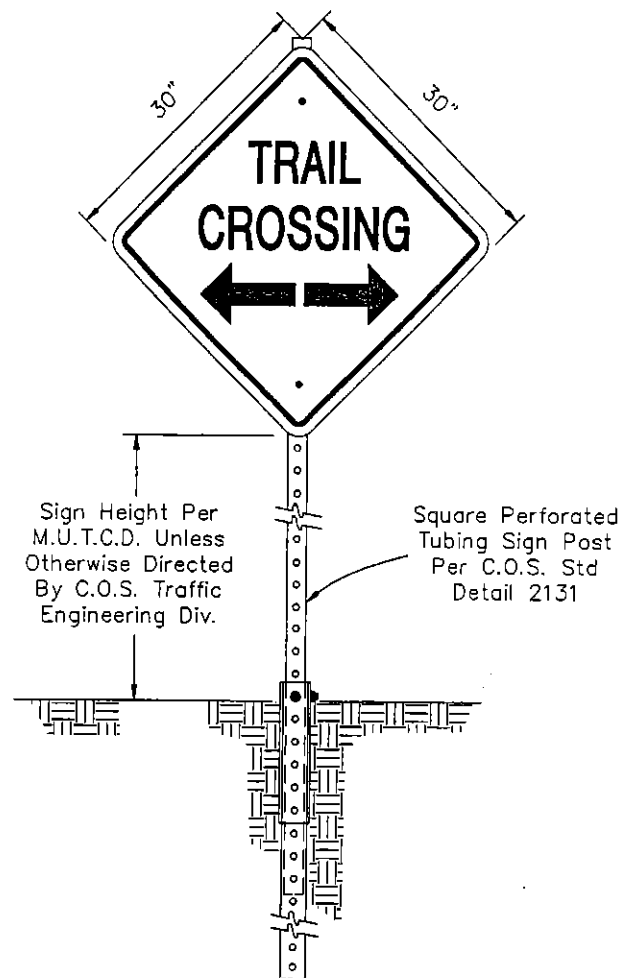


TRAIL MARKER



Fasten With (2) 1/2"x 2" Lag Screws With (2) Flat Washers or (2) 1/2"x 4 1/2" Bolts With (4) Flat Washers. Burr Threads And Nuts With Center Punch.

WOOD POST SIGN MOUNTING DETAIL



TRAIL CROSSING SIGN

DETAIL NO.
2683

City of Scottsdale
Standard Details

APPROVED BY:
Diana Stewart RLA

TRAIL SIGNS

DETAIL NO.
2683

